

**RULON InTEGrille (Integrated Tegular Panel Grilles)
SUSPENDED WOOD CEILING SYSTEM**

ARCHITECTURAL SPECIFICATIONS

PART 1 - GENERAL

- A. The InTEGrille Suspended Wood Ceiling Systems covered by this specification shall be the products of the Rulon International, World Commerce Center, 2000 Ring Way Road, St. Augustine, FL 32092. Phone: 800-227-8566, 904-584-1400, Fax: 904-584-1499, www.rulonco.com.
- B. The General Conditions and the requirements of Division 1 of the specifications shall apply to all work hereunder.
- C. All work shall be performed in accordance with the manufacturer's instructions, and in a manner satisfactory to the owner's representative.

1.01 SCOPE

- A. Rulon International shall furnish all InTEGrilles necessary to complete installation by the contractor, in accordance with plans and specifications. The standard heavy-duty (15/16" (24mm)) or (9/16" (14 mm))T-rail carriers shall be supplied by contractor.

1.02 RELATED WORK NOT INCLUDED UNDER THIS SECTION

- A. Suspension systems and components for ceilings, other than manufacturer's InTEGrille Suspended Wood Ceiling System, are not included.

1.03 QUALITY ASSURANCE

- A. Installer Qualifications: The installer must be a firm with a minimum of two (2) years of successful experience in installation of suspended wood ceilings of similar requirements to this project. The installer must be acceptable to the architect, manufacturer, and owner's representative.
- B. Fire Performance Characteristics: When specified as "Fire Resistant", InTEGrille wood strips shall conform to Class 1, or A flame spread rating, when tested according to ASTM E-84.
- C. Environmental Standards: When required the wood ceiling shall originate from well managed forests as certified by accredited and recognized industry certifying organizations.

1.04 PROJECT CONDITIONS

- A. Installation shall be done only when the temperature and humidity closely approximate the interior conditions that will exist when the building is occupied. The heating and cooling systems shall be operating before, during, and after installation, with the humidity of the interior spaces maintained between 25% and 55%, temperature between 60 to 90 degrees F.
- B. It is important that plenums have proper ventilation, especially in high moisture areas. There shall be no excessive build up of heat in the ceiling areas.
- C. Prior to the start of installation, all exterior windows and doors are to be in place, glazed, and weather-stripped. The roof is to be watertight, and all wet trades' work is to be completed, and thoroughly dry.
- D. Mechanical, electrical, and other utility service installations above the ceiling plane shall have been completed. No materials should rest against, or wrap around, the ceiling suspension components or connecting hangers.

1.05 COORDINATION OF WORK

- A. The layout and installation of InTEGrilles and ceiling suspension system shall be coordinated with other work penetrating the ceiling. This includes light fixtures, HVAC equipment, and fire suppression system components.

1.06 SUBMITTALS

- A. Product Data: Rulon International shall provide product specifications and installation instructions for all supplied ceiling materials.
- B. Shop Drawings: When required, Rulon International shall supply shop drawings showing InTEGrille lengths, T-rail carriers, and other details deemed pertinent to proper installation.
- C. Samples: A 12" (305mm) wide x 12" (305mm) long wood ceiling sample, in the specified InTEGrille style, with finish applied, shall be submitted for approval.

1.07 DELIVERY, STORAGE, AND HANDLING

- A. InTEGrilles and components shall be delivered to the project site in original, unopened packages.
- B. The InTEGrilles shall be stored flat and level in a fully enclosed space. For a minimum of seventy-two (72) hours immediately prior to ceiling installation, the InTEGrilles shall be stored in the room in which they will be installed. The temperature and humidity of the room shall closely approximate those conditions that will exist when the building is occupied. The InTEGrilles must be stored off the floor.

- C. Care in handling must be exercised to avoid damage.

1.08 WARRANTIES

- A. Manufacturer: All materials supplied by the ceiling manufacturer shall be guaranteed against manufacturing defects for one (1) year. Because of differing site conditions, wood stains and colorings can vary with age, and are excluded from this warranty.
- B. Contractor: All work shall be guaranteed for one (1) year from final acceptance of completed work.

PART 2 - PRODUCT

2.01 InTEGrilles

- A. The wood strips shall be manufactured by Rulon International, St. Augustine, Florida, PH-1-800-227-8566, 904-584-1400. The wood strips shall be made from prime grade, all-natural [specie] with a [selected] finish. The InTEGrille shall be [pattern number] having wood strips [X] inches wide x [X] inches deep with [X] inches spacing between strips.
- B. Standard InTEGrilles shall be assembled 2' (610mm) wide - in nominal lengths of 2' (610mm), or 4' (1219mm) (actual lengths are shorter to allow for T-rail). With 15/16" (24mm) T-rail carriers, nominal lengths may be 6' (1829mm), Wood strips shall be manufactured without finger-joints, and fastened together with black woodbackers [and/or dowels, depending on panel design]. The woodbackers [and/or dowels] shall be positioned 12" (305mm) on center, with tegular woodbackers for support of the system.
- C. Wood is a natural product that will undergo changes with variations in the environment. Therefore, all dimension tolerances are $\pm 1/8"$ (3mm).

2.02 SUSPENSION SYSTEMS

- A. InTEGrilles shall be laid in to heavy-duty 15/16" (24mm) or 9/16" (14mm) T-rail carriers (supplied by contractor) for removability of InTEGrilles for access above the ceiling. The Main Tees are to be installed on 24" (610mm) centers. #12 gauge wire hangers shall suspend T-rail carriers.

2.03 EDGES, BORDERS, AND PERIMETER TRIMS

- A. Edges, borders, and perimeter trims, shall be designated by specifier in accordance with standard design details available. All wood ceiling products specified shall be supplied by the ceiling manufacturer.

2.04 FINISHES AND COLORS

- A. All InTEGrilles shall be factory-finished with clear sealers, wood stains, or semi-transparent color treatments as selected. All finishes shall be selected by the designer, architect, or designated owner's representative.
- B. Wood is a natural product with variations in grain, texture, and color - often ranging from light to dark - thereby, affecting the surface look. Product finishes shall be stain or sealer coats, spray-applied to a smooth-sanded surface.

PART 3 - EXECUTION

3.01 PREPARATION

- A. Ceiling Layout: The contractor shall measure ceiling areas, and establish layout of InTEGrilles and T-rails, in accordance with installation instructions.
- B. Coordination: The contractor shall furnish the layout for supports that shall be installed for suspension of ceilings. He shall furnish concrete inserts, steel deck hanger clips, or similar devices for installation, in time to coordinate the work. The contractor shall coordinate with other trades the location of devices which will penetrate the Ceiling Panels or interfere with the installation. Recessed or surface devices located within the ceiling panels are to be located and cut in the field.

3.02 INSTALLATION

- A. General: The contractor shall install materials in accordance with Rulon International printed instructions. The installation shall comply with applicable regulations and industry standards.
- B. Perimeters: Using a leveling device, the contractor shall lay out and install the perimeter trim as specified.
- C. Suspension: The T-rail carriers shall be suspended and leveled in a 2' (610mm) x 2' (610mm) or 2' (610mm) x 4' (1219mm) Grid System. With 15/16" (24mm) a 2' (610mm) x 6' (1829mm) Grid pattern may be used. #12 gauge wire hangers shall be used to support T-rail carriers. Hangers shall be placed at 4' (1219 mm) intervals along the main carrier.
- D. Wood Suspension: InTEGrilles shall be suspended from the T-rail carriers.

3.03 ADJUSTMENT, CLEANING, AND REPAIR

- A. The contractor shall make final adjustments to level or contours.
- B. Upon completion of ceiling installation, all InTEGrilles and borders shall be cleaned free of dirt, dust, grease, oils, and fingerprints.

- C. All work which cannot be successfully cleaned or repaired, shall be removed and replaced.

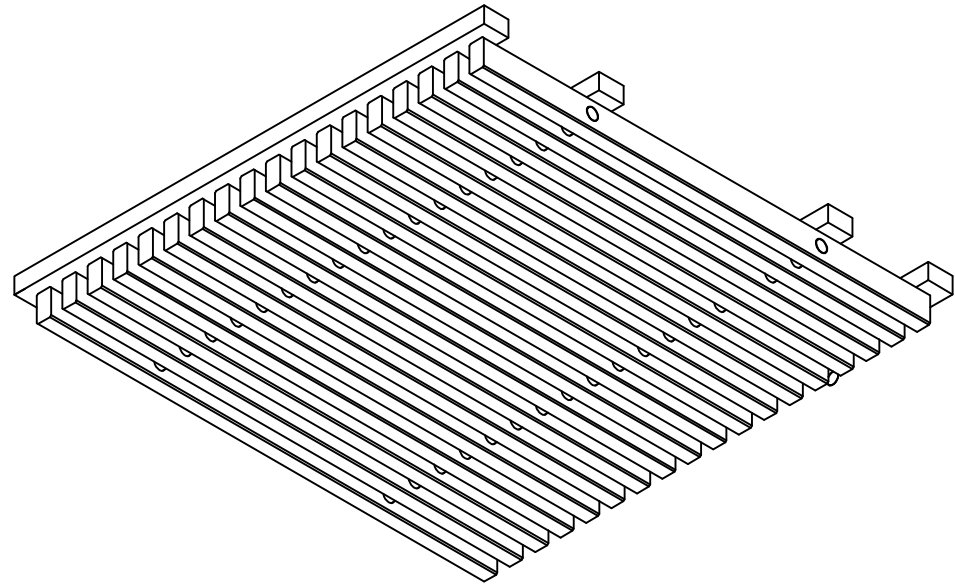
3.04 INSPECTION

- A. Upon completion of ceiling installation, the owner's representative shall inspect all finished surfaces to ensure that work has been performed in a manner satisfactory to the owner. Any deficiencies in the installed ceiling shall be corrected by the contractor at no additional cost to the owner, or to the ceiling manufacturer.


DRAWING # TITLE

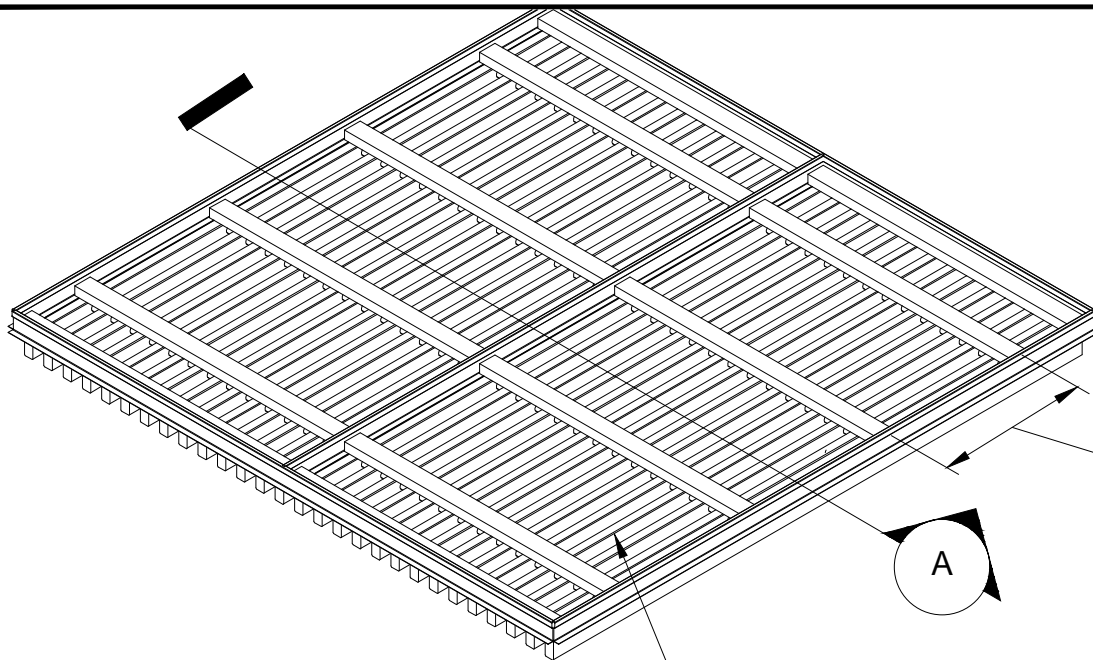
CEILING DETAILS

- PGT-DW-001 Full Depth InTEGrille
PGT 7-12-32DW for $1\frac{5}{16}$ " Grid
- PGT-WB-002 Full Depth InTEGrille
PGT 5-22-12W for $1\frac{5}{16}$ " Grid
- PGT-DW-003 Full Depth InTEGrille
PGT 9-12-22DW for $\frac{9}{16}$ " Grid
- PGT-WB-004 Full Depth InTEGrille
PGT 6-22-12W for $\frac{9}{16}$ " Grid
- PGT-XX-001 Full Depth InTEGrille
Perimeter Detail - Side
- PGT-XX-002 Full Depth InTEGrille
Perimeter Detail - End



PGT 9-12-22DW for $\frac{9}{16}$ " Grid
2' x 2' Panel Shown

 RULON INTERNATIONAL	World Commerce Center 2000 Ring Way Road St. Augustine, FL 32092 Ph: 1-800-227-8566 904-584-1400 Fax: 904-584-1499 www.rulonco.com info@rulonco.com	PROJECT: <hr/> TITLE: InTEGrille Index	ISSUE DATE: <hr/> REVISION DATE: JAN/05/2014	DRAWN BY: CAP CHECKED BY: TDA	PROJECT NUMBER: <hr/> DRAWING NUMBER: PGTINDEX
---	--	--	---	--	---

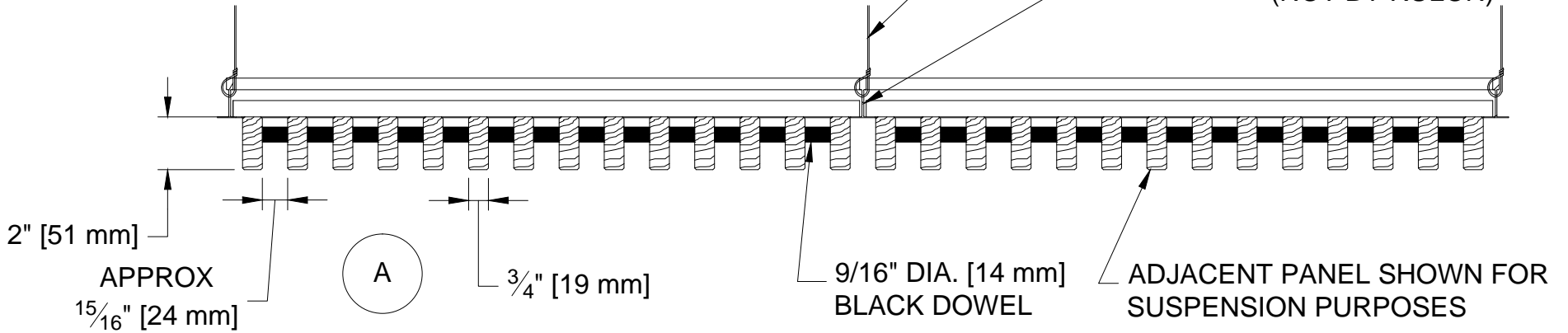


1'-0" [305 mm]
DOWEL AND
WOODBACKER
CENTERS TYP



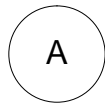
2' [610 mm] x 4' [1219 mm] NOMINAL
PANELS SHOWN. ALSO AVAILABLE
2' [610 mm] x 2' [610 mm] NOM. AND
2' [610 mm] x 6' [1829 mm] NOM.

#12 GA. HANGER WIRE
ON MAX 4' [1219 mm]
CENTERS (NOT BY RULON)
15/16" [24 mm]
HEAVY-DUTY T-GRID
(NOT BY RULON)



2" [51 mm]

APPROX
15/16" [24 mm]



3/4" [19 mm]

9/16" DIA. [14 mm]
BLACK DOWEL

ADJACENT PANEL SHOWN FOR
SUSPENSION PURPOSES



RULON INTERNATIONAL

World Commerce Center
2000 Ring Way Road
St. Augustine, FL 32092
Ph: 1-800-227-8566
904-584-1400
Fax: 904-584-1499
www.rulonco.com
info@rulonco.com

PROJECT:

TITLE: Full Depth InTEGrille
PGT 7-12-32DW for 15/16" Grid

ISSUE DATE:

REVISION DATE:
JUN/27/2013

DRAWN BY:

CAP

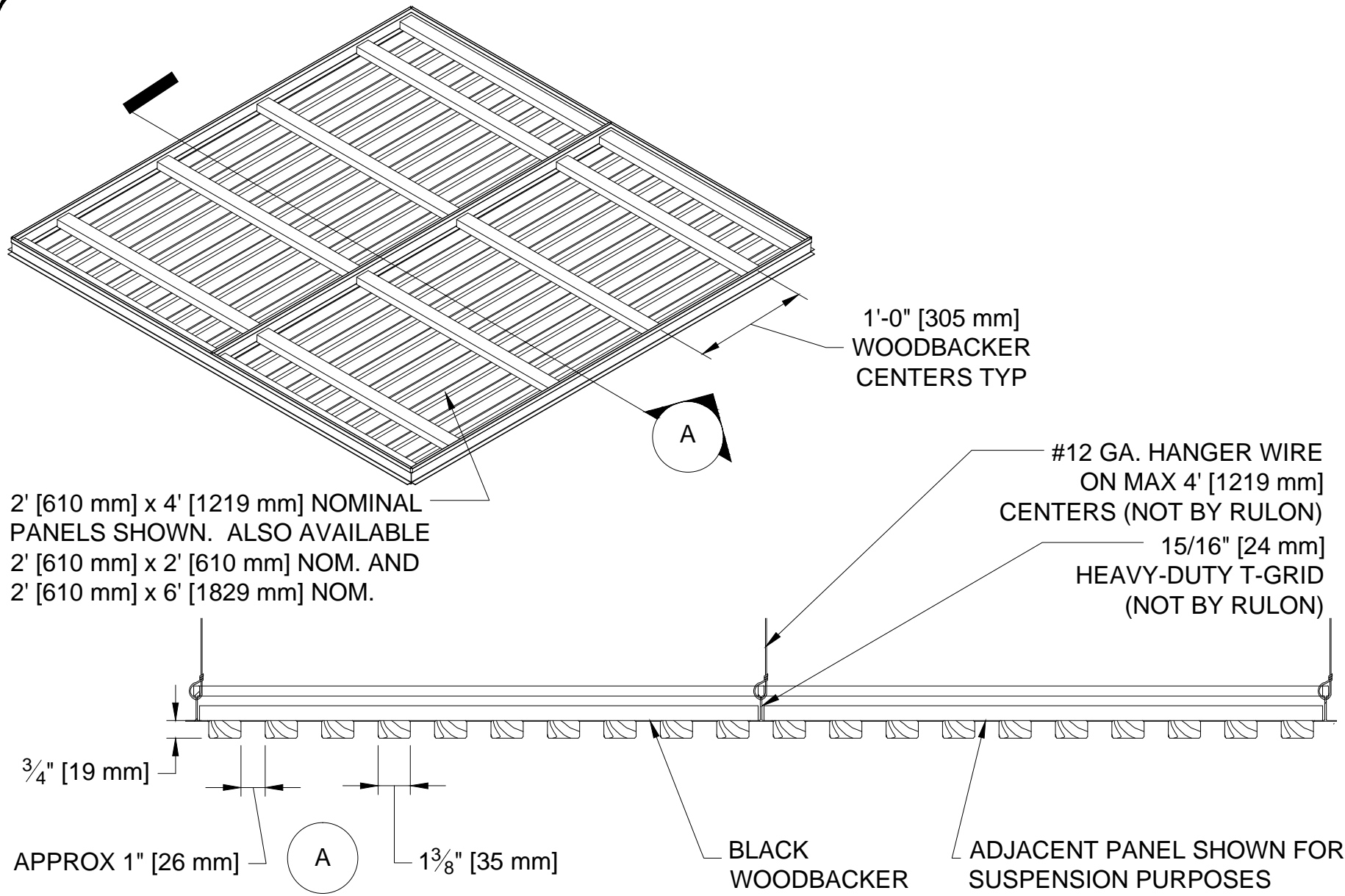
CHECKED BY:

TDA

PROJECT NUMBER:

DRAWING NUMBER:

PGT-DW-001



RULON INTERNATIONAL

World Commerce Center
 2000 Ring Way Road
 St. Augustine, FL 32092
 Ph: 1-800-227-8566
 904-584-1400
 Fax: 904-584-1499
 www.rulonco.com
 info@rulonco.com

PROJECT:

TITLE: Full Depth InTEGrille
 PGT 5-22-12W for 15/16" Grid

ISSUE DATE:

REVISION DATE:
 JUN/27/2013

DRAWN BY:

CAP

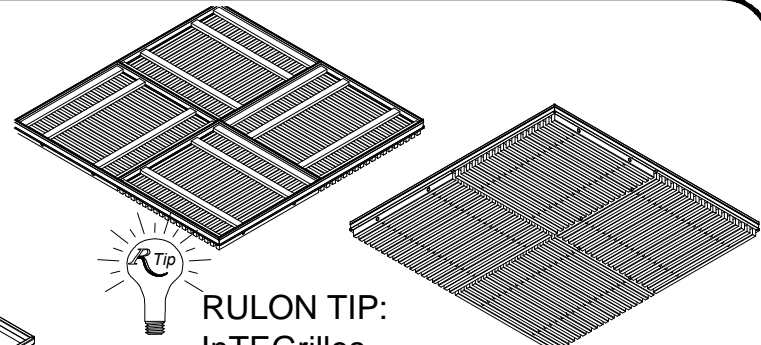
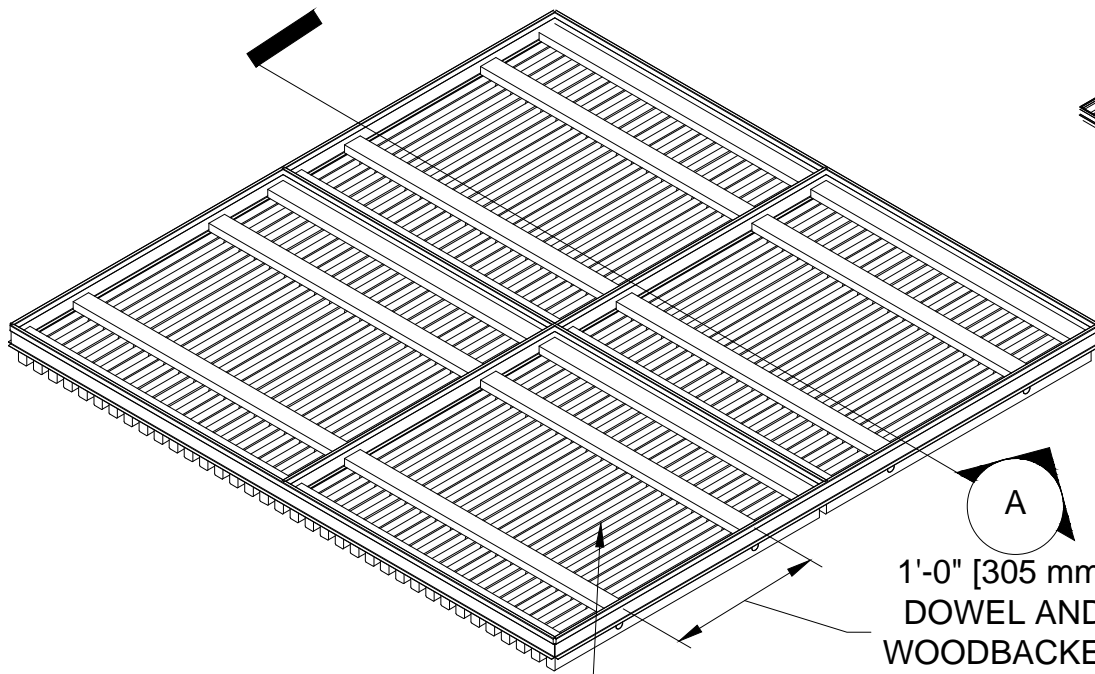
CHECKED BY:

TDA

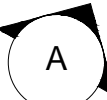
PROJECT NUMBER:

DRAWING NUMBER:

PGT-WB-002



RULON TIP:
InTEGrilles
MAY BE CONFIGURED IN A
VARIETY OF PATTERNS.

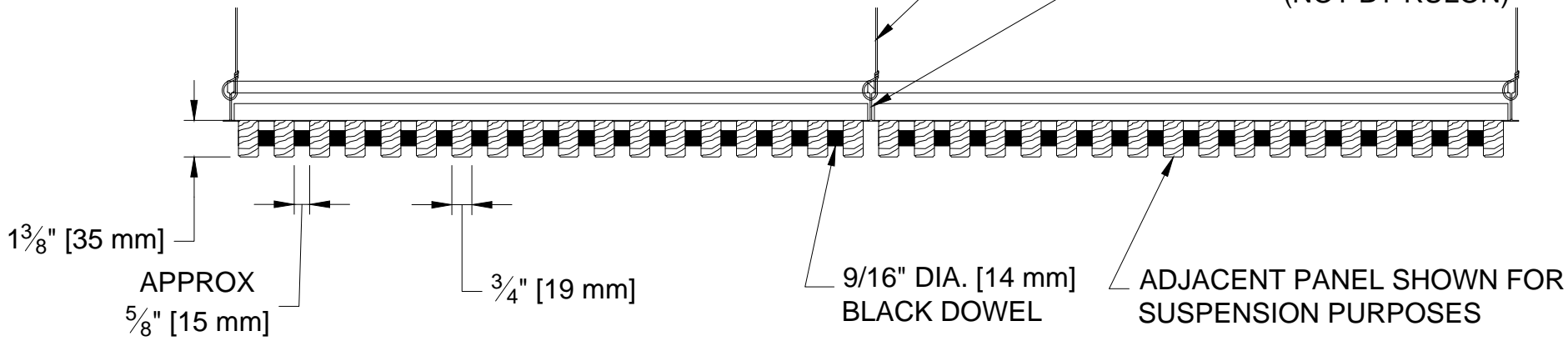


1'-0" [305 mm]
DOWEL AND
WOODBACKER
CENTERS TYP

2' [610 mm] x 2' [610 mm] NOMINAL
PANELS SHOWN. ALSO AVAILABLE
2' [610 mm] x 4' [1219 mm] NOM

#12 GA. HANGER WIRE
ON MAX 4' [1219 mm]
CENTERS (NOT BY RULON)

9/16" [14 mm]
HEAVY-DUTY T-GRID
(NOT BY RULON)



1 3/8" [35 mm]

APPROX
5/8" [15 mm]

3/4" [19 mm]

9/16" DIA. [14 mm]
BLACK DOWEL

ADJACENT PANEL SHOWN FOR
SUSPENSION PURPOSES



RULON INTERNATIONAL

World Commerce Center
2000 Ring Way Road
St. Augustine, FL 32092
Ph: 1-800-227-8566
904-584-1400
Fax: 904-584-1499
www.rulonco.com
info@rulonco.com

PROJECT:

TITLE: Full Depth InTEGrille
PGT 9-12-22DW for 9/16" Grid

ISSUE DATE:

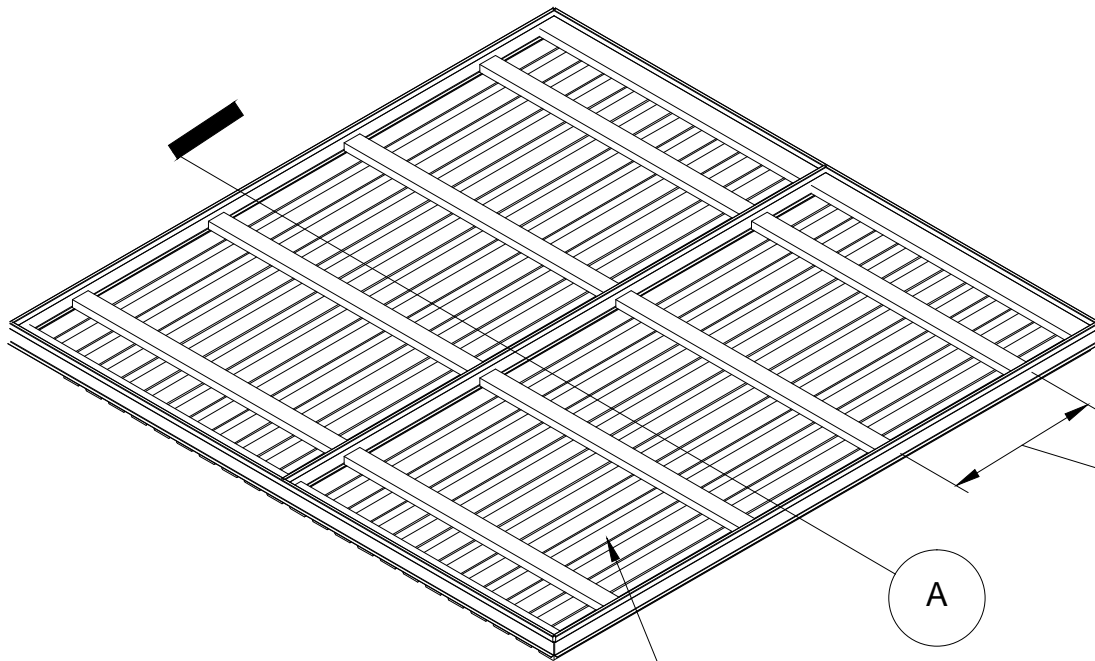
REVISION DATE:
JUN/27/2013

DRAWN BY:

CAP
CHECKED BY:
TDA

PROJECT NUMBER:

DRAWING NUMBER:
PGT-DW-003



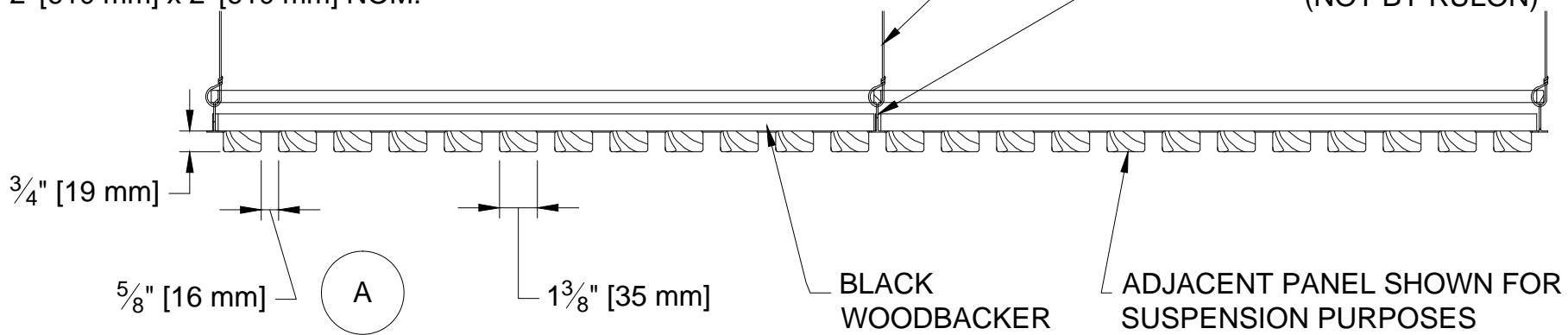
1'-0" [305 mm]
WOODBACKER
CENTERS TYP

A

2' [610 mm] x 4' [1219 mm] NOMINAL
PANELS SHOWN. ALSO AVAILABLE
2' [610 mm] x 2' [610 mm] NOM.

#12 GA. HANGER WIRE
ON MAX 4' [1219 mm]
CENTERS (NOT BY RULON)

9/16" [14 mm]
HEAVY-DUTY T-GRID
(NOT BY RULON)



3/4" [19 mm]

5/8" [16 mm]

A

1 3/8" [35 mm]

BLACK
WOODBACKER

ADJACENT PANEL SHOWN FOR
SUSPENSION PURPOSES



RULON INTERNATIONAL

World Commerce Center
2000 Ring Way Road
St. Augustine, FL 32092
Ph: 1-800-227-8566
904-584-1400
Fax: 904-584-1499
www.rulonco.com
info@rulonco.com

PROJECT:

TITLE: Full Depth InTEGrille
PGT 6-22-12W for 9/16" Grid

ISSUE DATE:

REVISION DATE:
JUN/27/2013

DRAWN BY:

CAP

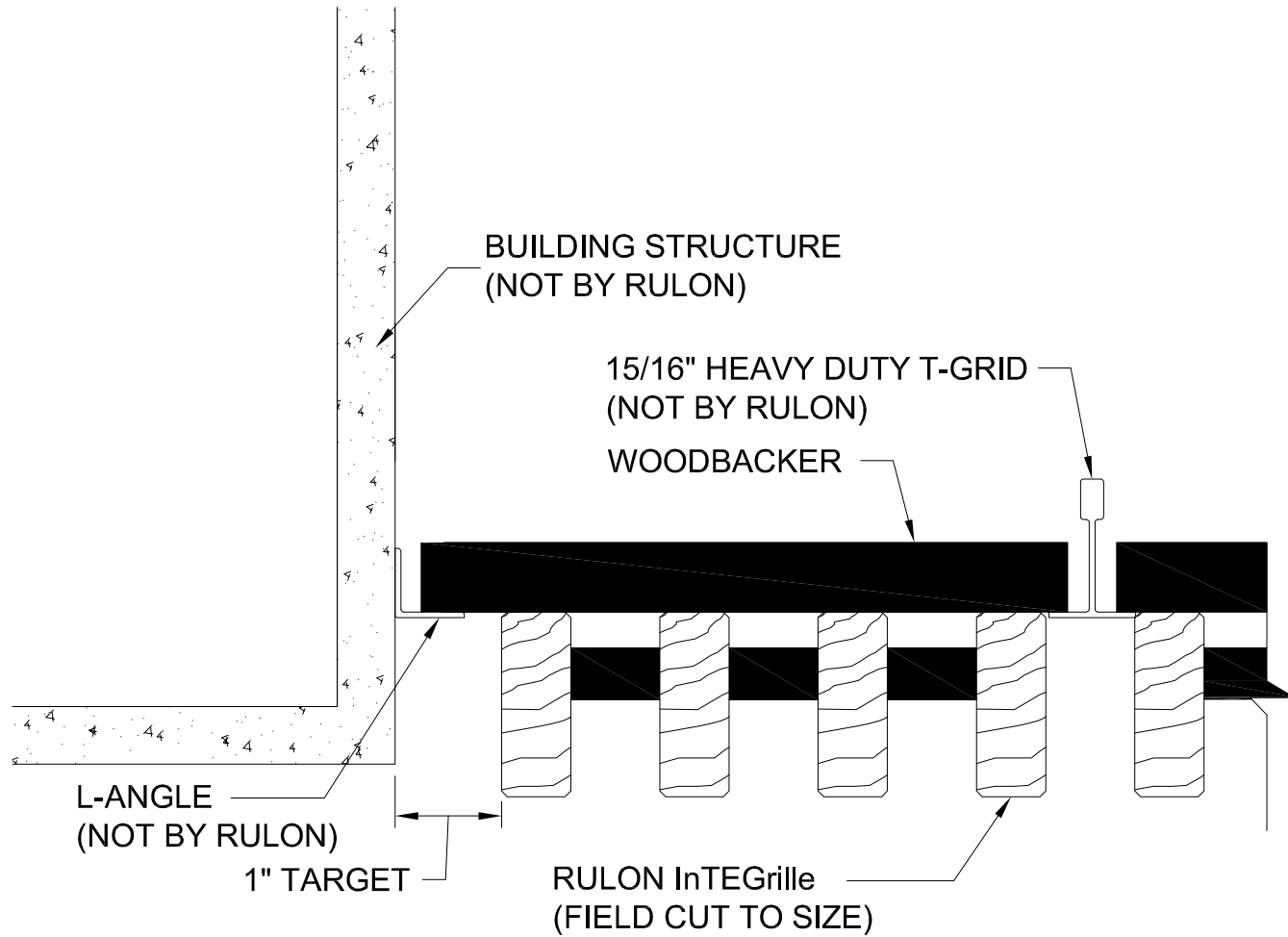
CHECKED BY:

TDA

PROJECT NUMBER:

DRAWING NUMBER:

PGT-WB-004



* FLEXIBLE ANGLE NEEDED FOR RADIUS SOFFITS



RULON INTERNATIONAL

World Commerce Center
 2000 Ring Way Road
 St. Augustine, FL 32092
 Ph: 1-800-227-8566
 904-584-1400
 Fax: 904-584-1499
 www.rulonco.com
 info@rulonco.com

PROJECT:

TITLE: Full Depth InTEGrille
 Perimeter Detail - Side

ISSUE DATE:

REVISION DATE:
 AUG/18/2014

DRAWN BY:

CAP

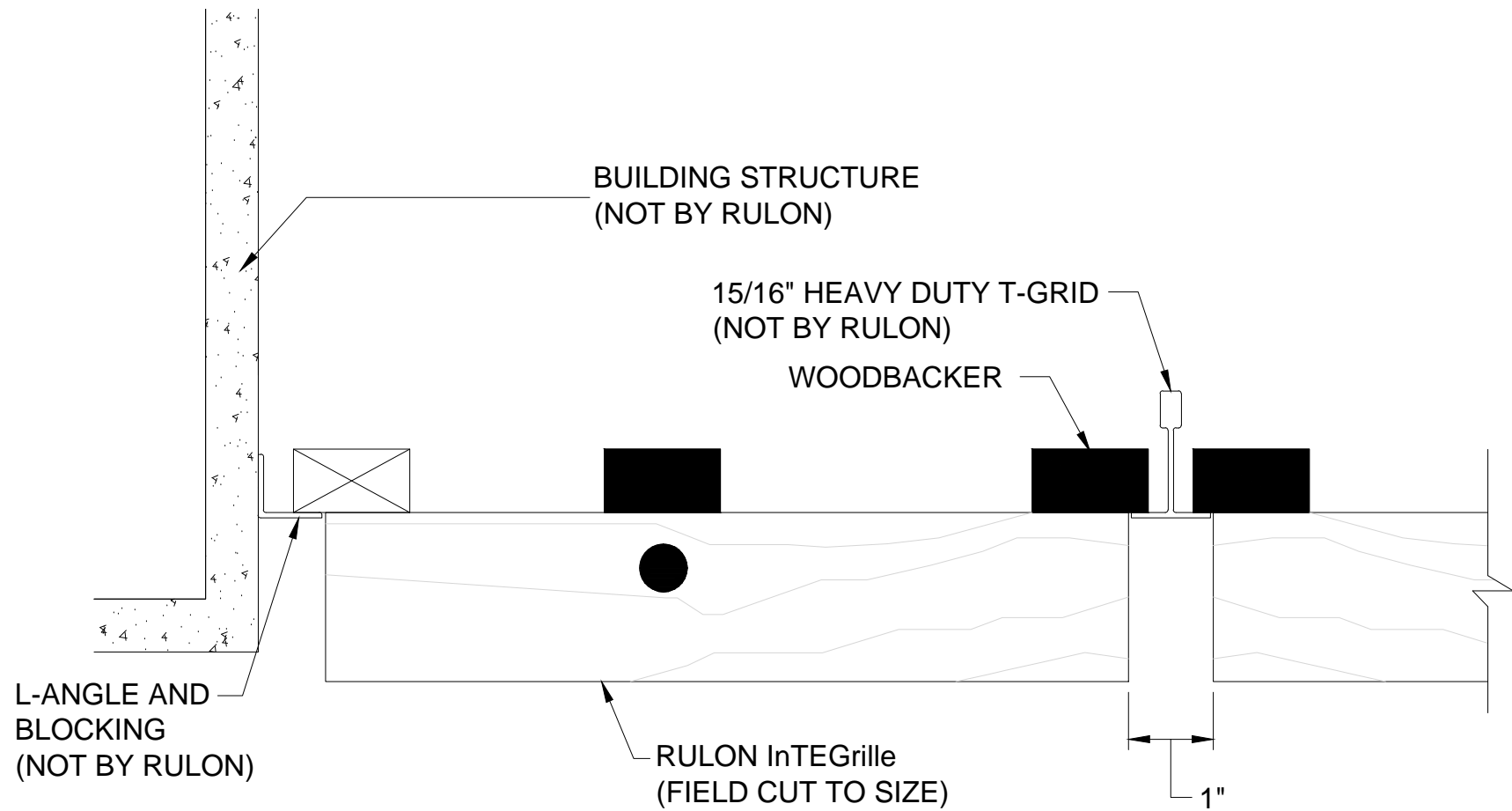
CHECKED BY:

TDA

PROJECT NUMBER:

DRAWING NUMBER:

PGT-XX-001



* FLEXIBLE ANGLE NEEDED FOR RADIUS SOFFITS



RULON INTERNATIONAL

World Commerce Center
 2000 Ring Way Road
 St. Augustine, FL 32092
 Ph: 1-800-227-8566
 904-584-1400
 Fax: 904-584-1499
 www.rulonco.com
 info@rulonco.com

PROJECT:

TITLE: Full Depth InTEGrille
 Perimeter Detail - End

ISSUE DATE:

REVISION DATE:
 JUN/27/2013

DRAWN BY:

CAP

CHECKED BY:

TDA

PROJECT NUMBER:

DRAWING NUMBER:

PGT-XX-002