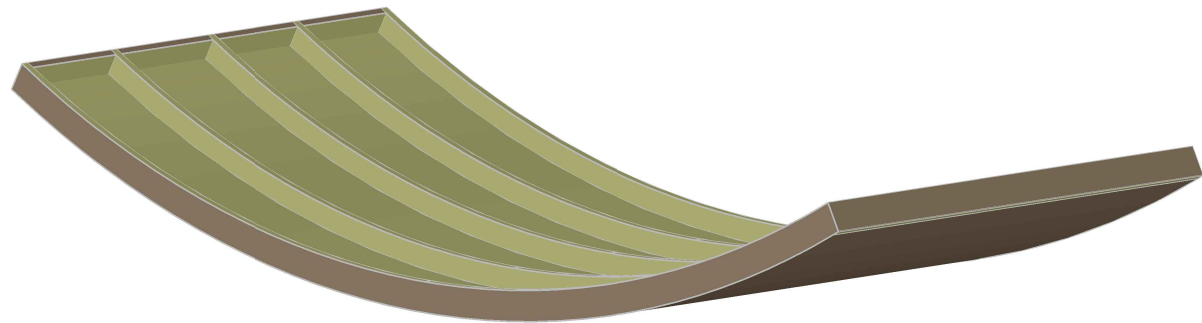


<u>DRAWING #</u>	<u>TITLE</u>
V0000001	Curvalon Profile
V0000002	Curvalon Section View Through Shaping Ribs
V0000003	Torsion Spring Curvalon Suspension Detail
V0000004	C-Hanger Cuvalon Suspension Detail



RULON INTERNATIONAL
2000 Ring Way
St. Augustine, FL 32092

(904) 584-1400
info @ rulonco.com

www.rulonco.com

PROJECT:

TITLE: **Curvalon Index**

ISSUE DATE:

REVISION DATE:
MAR/14/2019

DRAWN BY:

CAP

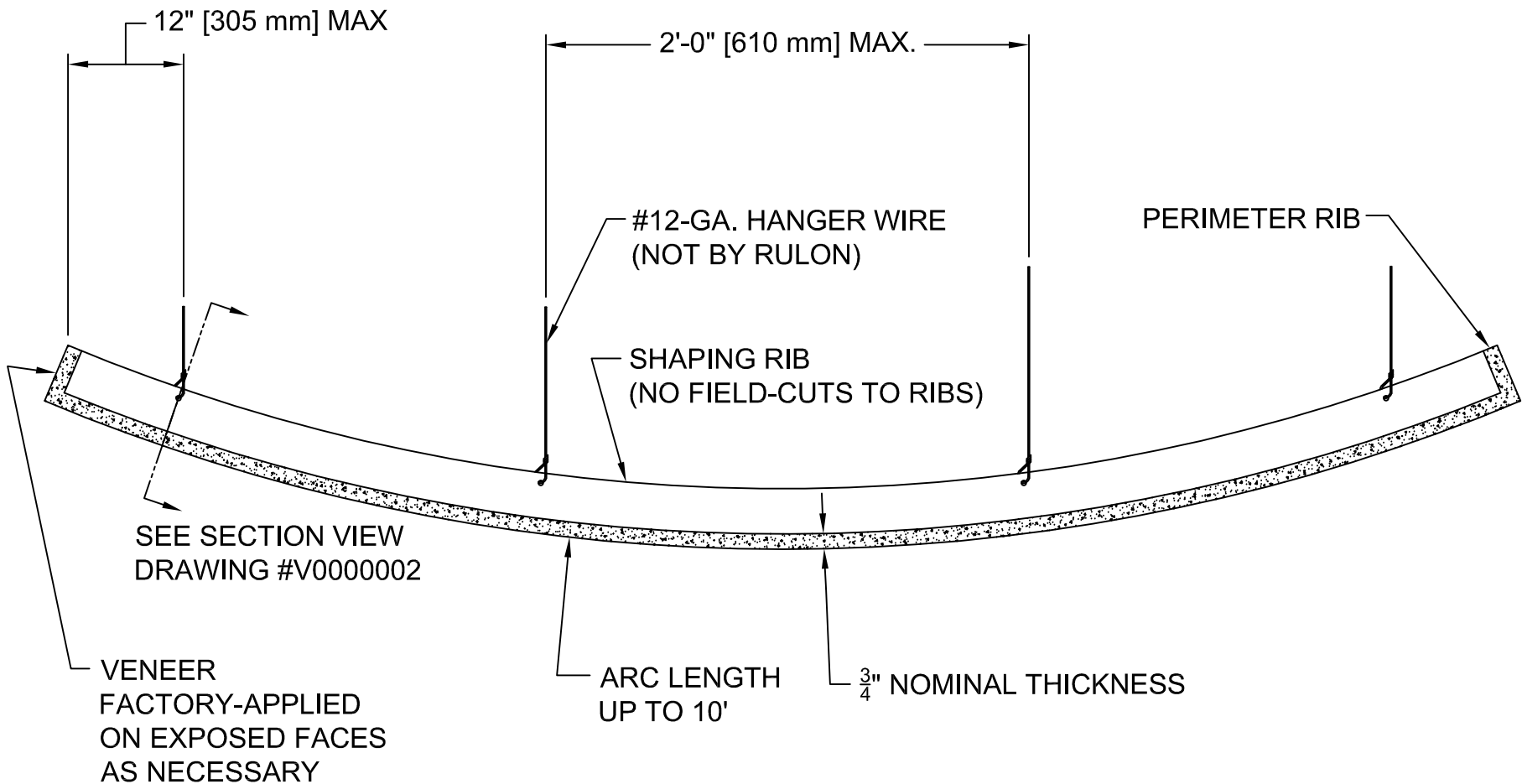
CHECKED BY:

TDA

PROJECT NUMBER:

DRAWING NUMBER:

V00INDEX



RULON INTERNATIONAL
2000 Ring Way
St. Augustine, FL 32092

(904) 584-1400
info @ rulonco.com

www.rulonco.com

PROJECT:

TITLE: Curvalon Profile

ISSUE DATE:

REVISION DATE:
AUG/15/2023

DRAWN BY:

CAP

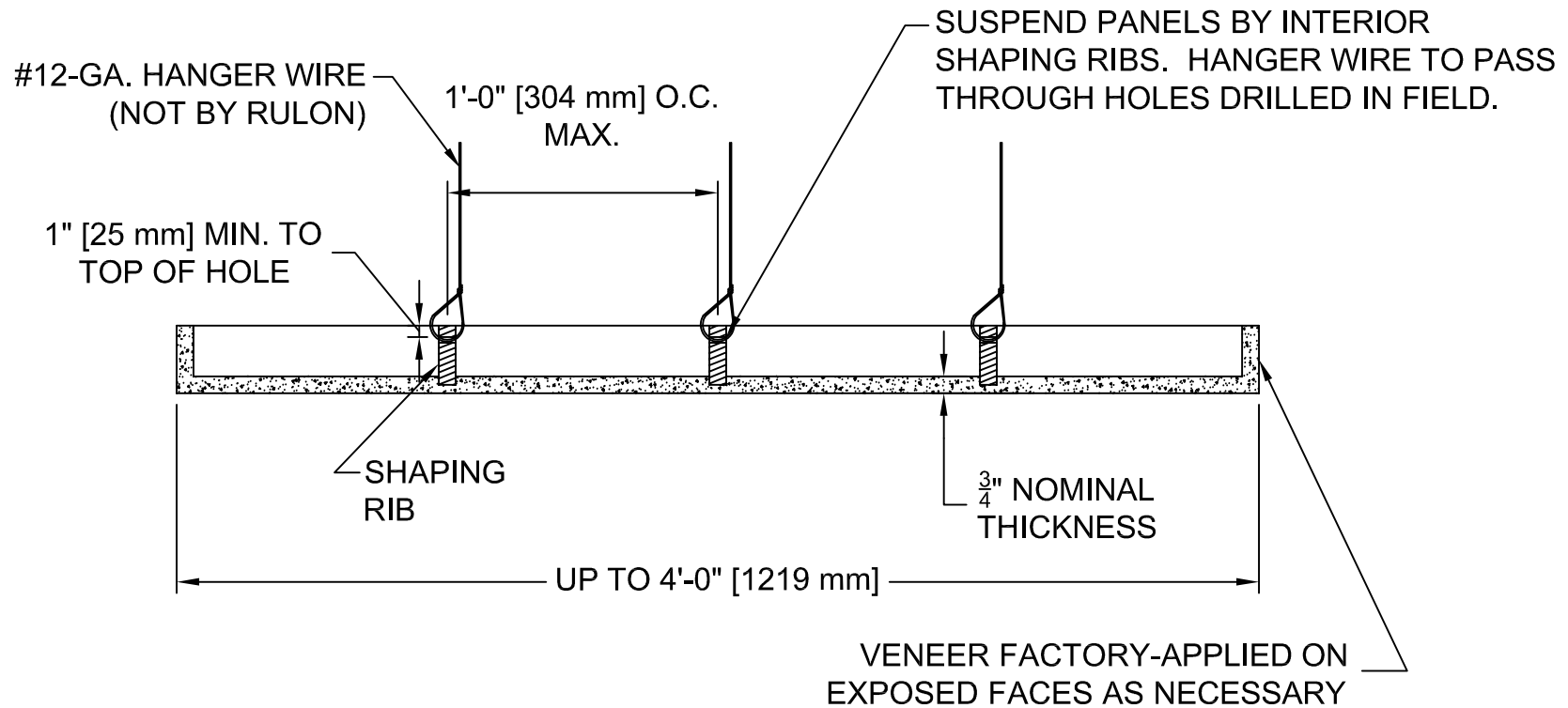
CHECKED BY:

TDA

PROJECT NUMBER:

DRAWING NUMBER:

V0000001



RULON INTERNATIONAL
 2000 Ring Way
 St. Augustine, FL 32092

(904) 584-1400
 info @ rulonco.com

www.rulonco.com

PROJECT:

TITLE: Curvalon Section View Through Shaping Ribs

ISSUE DATE:

REVISION DATE:
 AUG/17/2023

DRAWN BY:

CAP

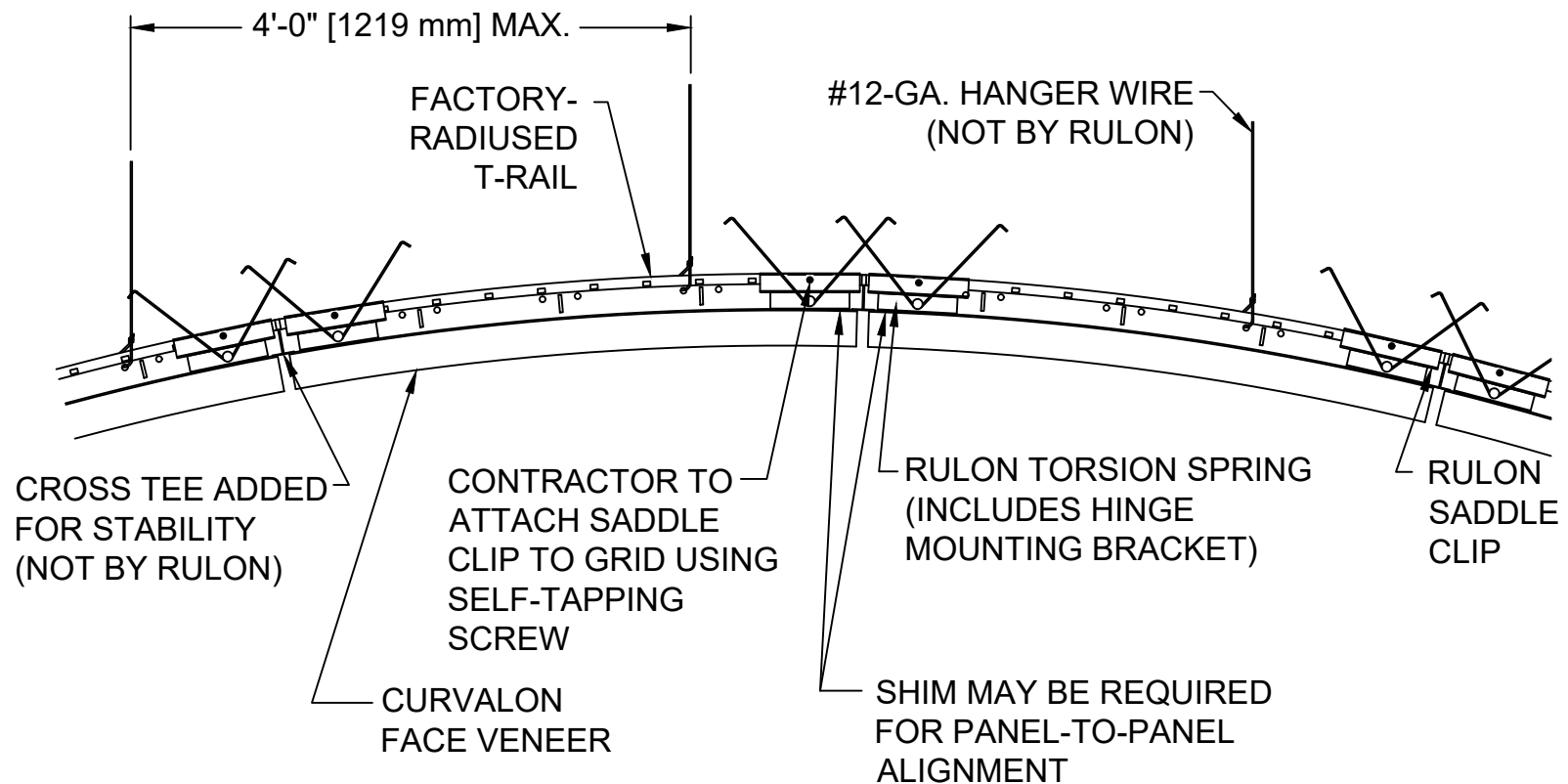
CHECKED BY:

TDA

PROJECT NUMBER:

DRAWING NUMBER:

V0000002



NOTE: SEE HARDWARE DRAWING HDWX0002 FOR TORSION SPRING ASSEMBLY DETAIL



RULON INTERNATIONAL
2000 Ring Way
St. Augustine, FL 32092

(904) 584-1400
info @ rulonco.com

www.rulonco.com

PROJECT:

ISSUE DATE:

DRAWN BY:

PROJECT NUMBER:

CAP

TITLE: Torsion Spring Curvalon
Suspension Detail

REVISION DATE:

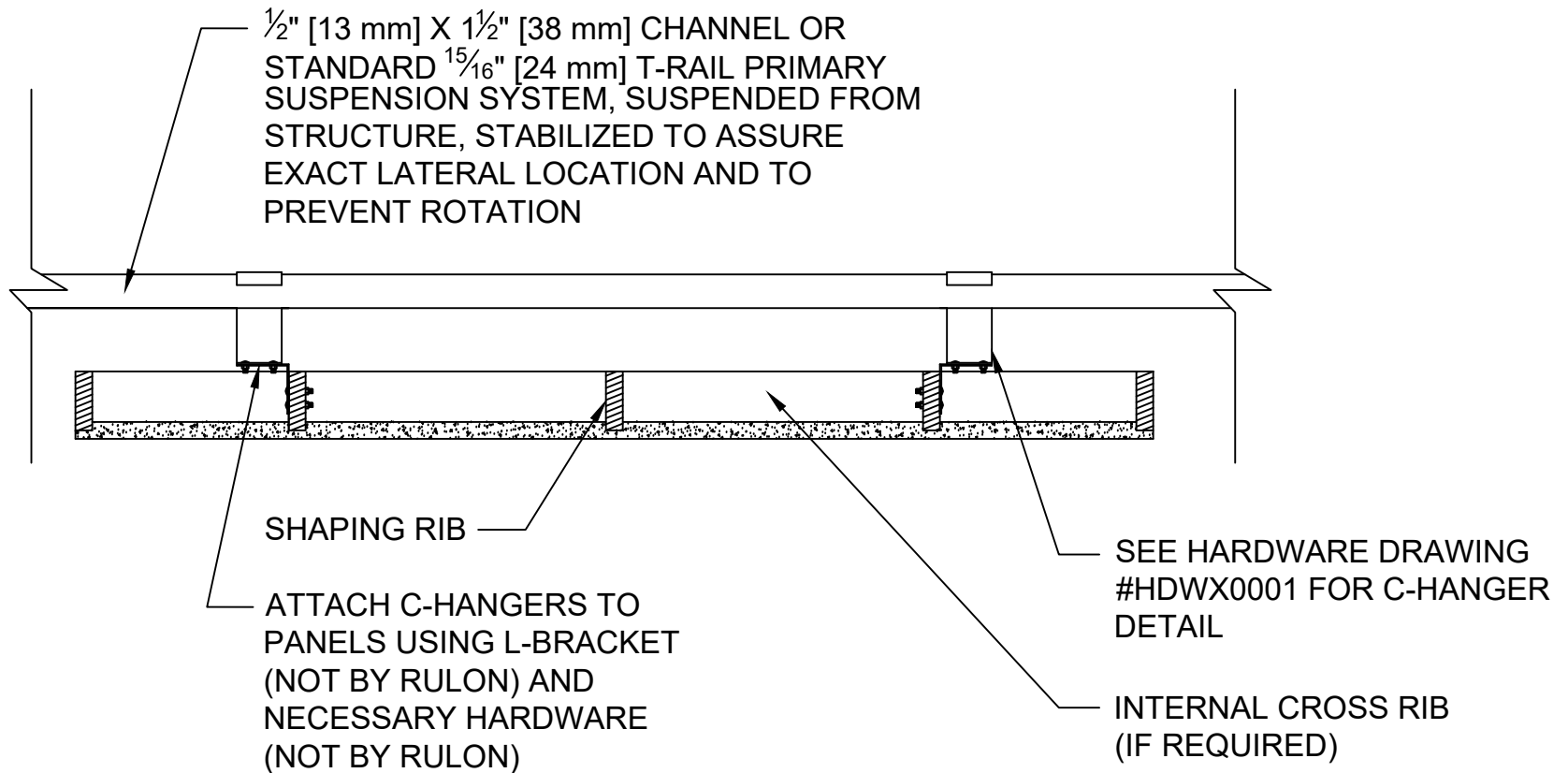
MAR/14/2019

CHECKED BY:

TDA

DRAWING NUMBER:

V0000003



RULON INTERNATIONAL
 2000 Ring Way
 St. Augustine, FL 32092

(904) 584-1400
 info @ rulonco.com

www.rulonco.com

PROJECT:

TITLE:

C-Hanger Curvalon Suspension
 Detail

ISSUE DATE:

REVISION DATE:

MAR/14/2019

DRAWN BY:

CAP

CHECKED BY:

TDA

PROJECT NUMBER:

DRAWING NUMBER:

V0000004