



Curvalon and Curvatone Ceilings Installation Guide

Rulon Curvalon and Curvatone Ceiling Installation Guide

Receipt and Storage:

- a. All material shall be delivered to the project site in the original, labeled, unopened packages. Keep packages of components unopened until it is time to acclimate to the building conditions
- b. Material shall be stored flat and level in a fully enclosed space. **DO NOT Store Rulon products in direct sunlight.** Seventy-two hours before beginning ceiling installation, wood strips must be moved into the room where the HVAC system is operating and the packaging shall be opened. This is to allow the panels to adjust to the room environment. Wood panels are to be stored off the floor.
- c. Care in handling must be exercised to avoid damage.

Before You Begin Installation:

- a. Ensure that all necessary tools are available (see below)
- b. Check Wall components to ensure all items required are at hand (see Page 2)
- c. Review this guide in its entirety. If you have any questions, call Rulon Company before you start the installation
- d. Installation shall be done only when the temperature and humidity closely approximate the interior conditions that will exist when the building is occupied. The heating and cooling systems shall be operating before, during, and after installation, with the humidity of the interior spaces maintained between 25% and 55%, temperature between 60 to 90 degrees F.
- e. It is important that area have proper ventilation, especially in high moisture areas. There shall be no excessive build up of heat in the space.
- f. Prior to the start of installation, all exterior windows and doors are to be in place, glazed, and weather-stripped. The roof is to be watertight, and all wet trades' work is to be completed, and thoroughly dry.
- g. Mechanical, electrical, and other utility service installations above the ceiling plane shall have been completed. No materials should rest or wrap around, the ceiling suspension components or connecting hangers.

If You Need Further Assistance:

- If you have any questions, or if you encounter a situation not covered by this installation guide, contact the Rulon Technical Department.

Phone: 1-800-22RULON (1-800-227-8566), 904-584-1400

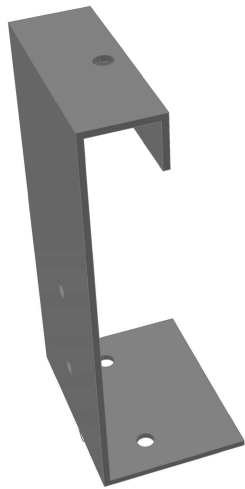
Fax: 1-904-584-1499

Rulon Curvalon and Curvatone Ceiling Installation Guide

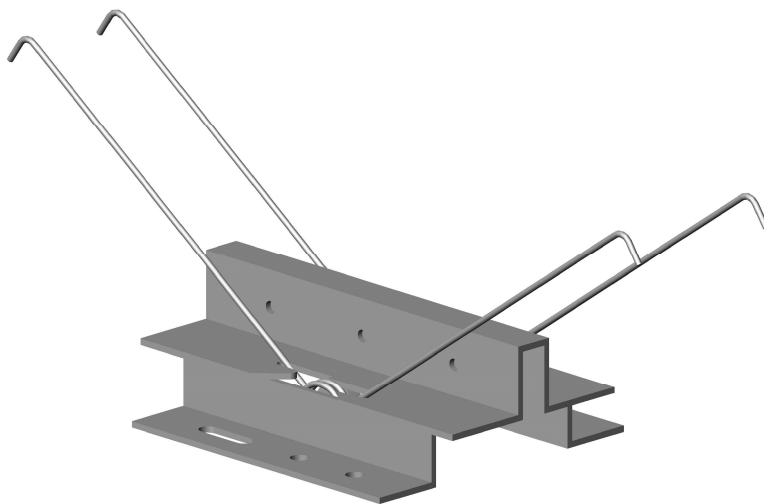
Tools and Equipment:

- Standard leveling devices
- Jig saw
- Nail gun/Staple Gun
- Painters tape
- Colored putty/ fill crayons
- Screw Guns/Drills

Rulon Curvalon and Curvatone Ceiling Installation Guide



C-Hanger
(Ceilings)



Torsion Springs
(Ceilings)

Ceiling and Wall Components:

Supplied by Rulon:

- Curvalon or Curvatone Panels
- Spacer material ceiling reveals (when applicable)
- Suspension Hardware if required (see above)
- Touch-up finish

Supplied by Others:

- Ceilings – Heavy Duty Grid (when applicable) , #12 Gauge Hanger Wire and hardware
- Acoustical Blanket (when specified)

References:

- Optional: ASTM E-1264 – Standard Classification of Acoustical Ceiling Products
- Optional: Seismic Considerations – Refer to Local Code

Rulon Curvalon and Curvatone Ceiling Installation Guide

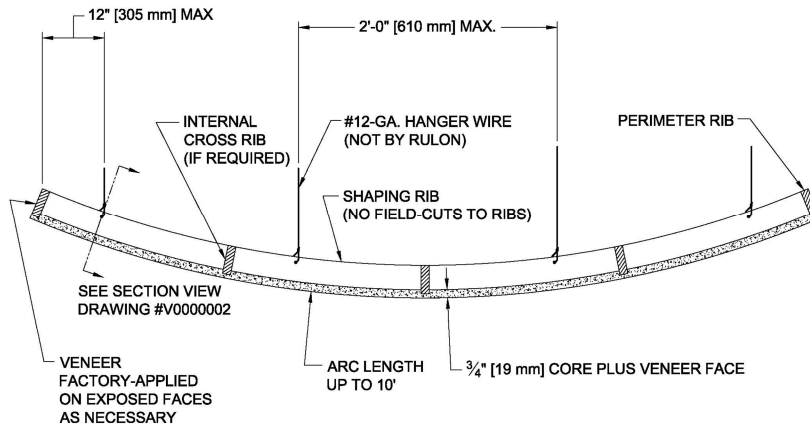
Step 1: Ceiling Preparation

Lay-out and install hanger wire plumb and true. Wires need to be hung directly from building structure, unless otherwise covered in the Rulon shop drawings, or reviewed and approved by the Rulon Engineering Department.

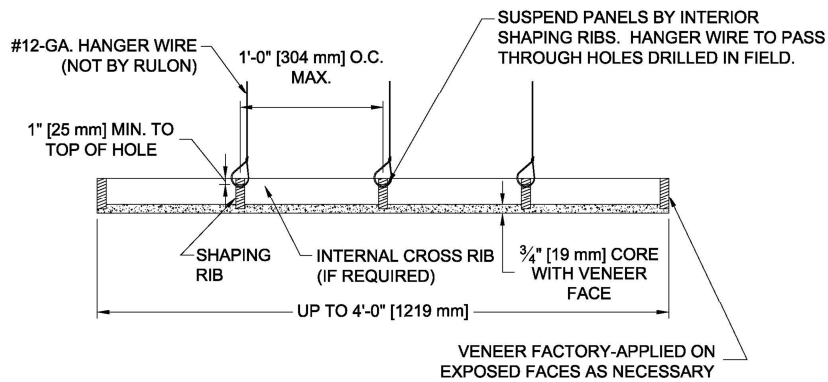
Step 2: Installing Panels

Direct Suspension (Typical)

Prepare holes in shaping ribs per the guidelines in the details below. Hang panels to correct elevations. If required, for adjacent panels join panels side to side and end to end per shop drawings.



Curvalon/Curvatone Profile/Direct Suspension

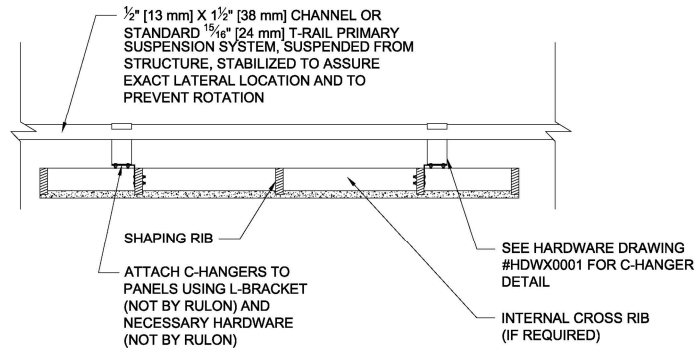


Curvalon/Curvatone Section/Direct Suspension

Rulon Curvalon and Curvatone Ceiling Installation Guide

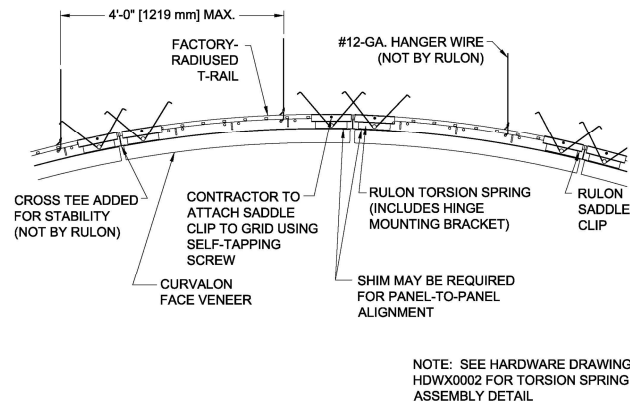
a) C-Hangers Installation

C-Hangers allow for accessibility, and require a channel or grid system installed prior to hanging panels. Additional hardware is required (furnished by installer) to allow for attachment of the C-Hangers to the shaping ribs.



b) Torsion Spring Installation

Torsion springs require suspension of T-Grid prior to hanging panels. Factory radiused T-Grid may be supplied by Rulon. Ensure deep penetration of the spring bracket screws into the shaping ribs.



Step 3: Borders

DO NOT field-cut Curvalon or Curvatone perimeters. If penetrations are required, field-cuts shall not penetrate the shaping ribs or perimeter ribs.

Rulon Curvalon and Curvatone Ceiling Installation Guide

Step 4: Cleanup

1. Clean all wood panels and borders free of dirt, dust, grease, oils, and fingerprints. Routine cleaning is best accomplished with a soft, lint-free cloth lightly dampened with water or an inert household dust attractant. Allowing airborne dust, which is somewhat abrasive, to build up will tend to dull a finish over time. Refer to the Rulon Care and Maintenance document for further instructions.
2. Remove and replace all work that cannot be successfully cleaned or repaired.