



RULON
INTERNATIONAL

Endure Linear 800 and 850
Suspended Ceiling
Installation Guide

Rulon Suspended Endure Linear 800 and 850 Ceiling Install Guide

Receipt and Storage:

- a. All material shall be delivered to the project site in the original, labeled, unopened packages.
- b. Material shall be stored flat and level in a secure location, preferably in the room in which they are to be installed.
- c. Care in handling must be exercised to avoid damage.

Before You Begin Installation:

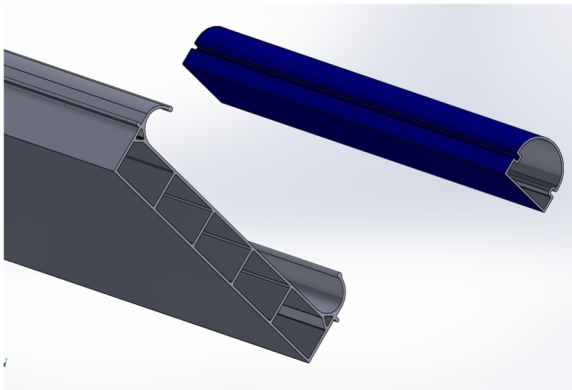
- a. Ensure that all necessary tools are available (see below)
- b. Check Ceiling components to ensure all items required are at hand (see Page 2)
- c. Review this guide in its entirety.
- d. Review shop drawings if they are required for the installation.
- e. Some projects receive more than one length of material to optimize yield and minimize waste. Please be sure to check strip location on drawings.

If You Need Further Assistance:

- If you have any questions, or if you encounter a situation not covered by this installation guide, contact the Rulon Engineering Department.
Phone: 904-584-1400

Tools and Equipment:

- Standard leveling devices
- Hacksaw/Tin snips
- Power miter saw w/ reversed fine tooth blade
- Fast-acting adhesive
- (NOTE: Take care not to get Adhesive on Woodgrain (applies to #800 only)
- Standard Contractor's tools



Endure #800 Strip Shown with #860 Spacer

Ceiling Components:

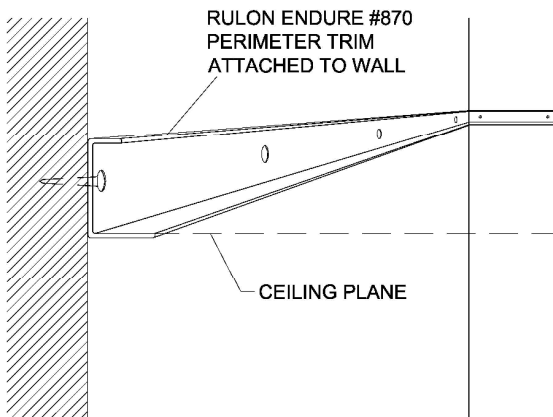
Supplied by Rulon:

- #800 Ceiling Strips or
- #850 Ceiling Strips
- #860 Spacers (optional)
- #865 Flush Spacers (optional)
- #872 4" Floating trim (optional)
- #875 Expansion joint (if needed)
- #880 or #885 Carriers
- #890 or #895 Carrier Connectors
- #850S Splicing Material
- #870 Perimeter Trim

Supplied by others:

- #12 Gauge Hanger Wire
- Hanger inserts
- Fasteners, as needed
- Acoustical Blanket
(when specified)
- Fast Acting Adhesive
- Down Struts (As Required)
- Silicone (As Required)

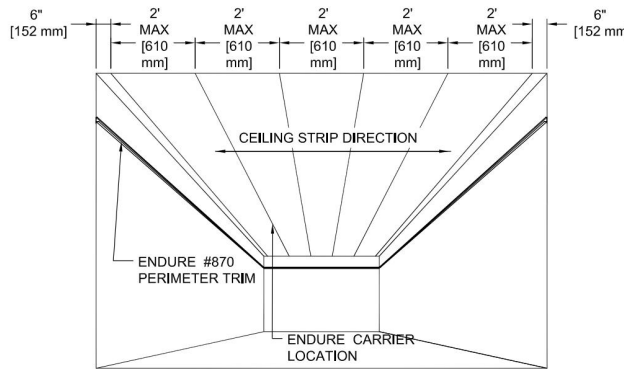
Rulon Suspended Endure Linear 800 and 850 Ceiling Install Guide



Step 1: Perimeter Installation

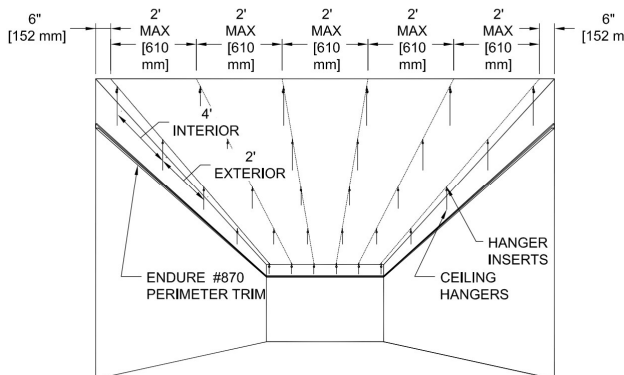
Establish the ceiling height with laser, water-level, or other appropriate method. Mark location. Install #870 Perimeter Trim at ceiling height with appropriate fastener.

Step 2: Carrier Placement (Interior)



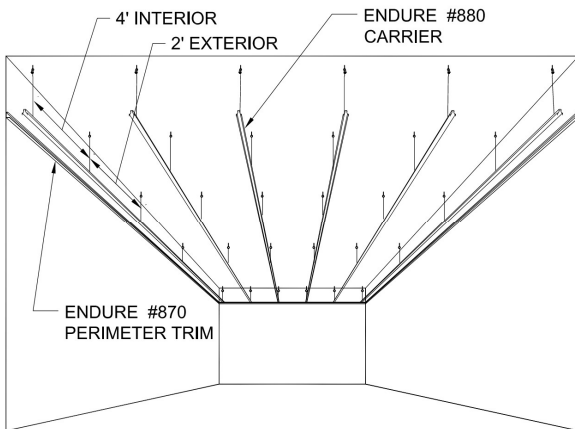
Mark carrier locations as specified. Refer to Step 8 for Expansion Joint carrier placement (if required). Carrier spacing should not exceed 2' [610 mm] O.C. Spacing differs for exterior applications or special conditions such as pools or gymnasiums. (Refer to shop drawings or Rulon Engineering Department). Carriers shall be suspended starting 6" [152 mm] from one wall, and ending within 6" [152 mm] of the opposite wall. Carriers shall run perpendicular to the direction of the Endure ceiling strips.

Step 3: Attaching Hangers (Interior)



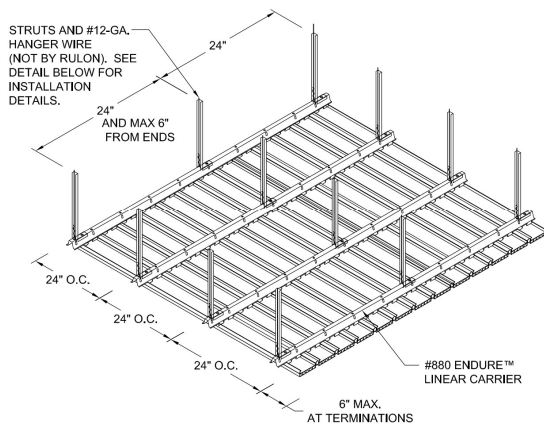
Install hanger inserts (i.e., screw eyes, star anchors, or eye pins shot or hammered into] structure or clips attached to beam flanges) at 4' [1219 mm] O.C. (Interior) 2' [610mm] O.C. (Exterior). Hang #12-Gauge wire hangers from the inserts. Hanger wires need to be hung directly from the building structure, unless otherwise covered in the Rulon shop drawings or reviewed and approved by the Rulon Engineering Department. Struts are also utilized on Exterior Ceilings.

Rulon Suspended Endure Linear 800 and 850 Ceiling Install Guide



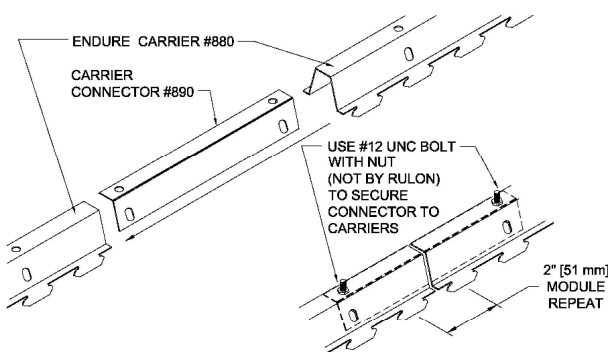
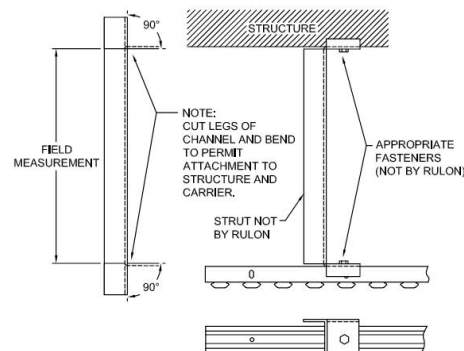
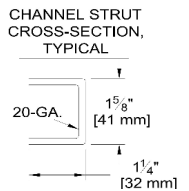
Step 4: Carrier Suspension

Hang carriers from ceiling hangers. Level. Interior ceiling carriers are suspended by 12-Gauge Hanger wire on 4' centers along carrier (unless otherwise denoted on Rulon Shop Drawings)



Step 4E(Exterior):

For exterior ceiling such as soffits, drive-thrus, etc., wind uplift necessitates the use of down-struts in addition to hanger wire on maximum 2' centers along carrier. Call Rulon for any questions and refer to Rulon Shop Drawings if applicable.



INSTALLATION TIP:
CARRIER CONNECTOR IS DESIGNED TO BE POSITIONED INSIDE (AS SHOWN) OR OUTSIDE OF THE CARRIER, ATTACHED THROUGH HOLES IN TOP (AS SHOWN) OR SIDES

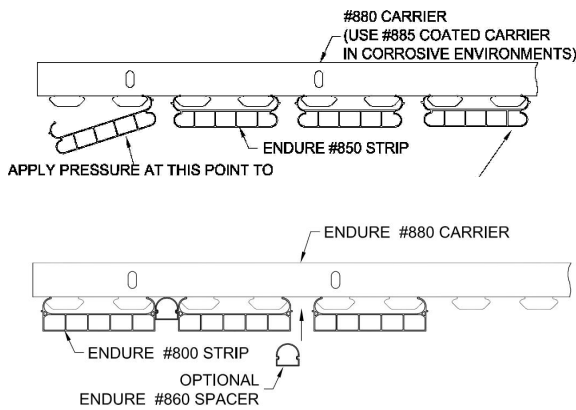
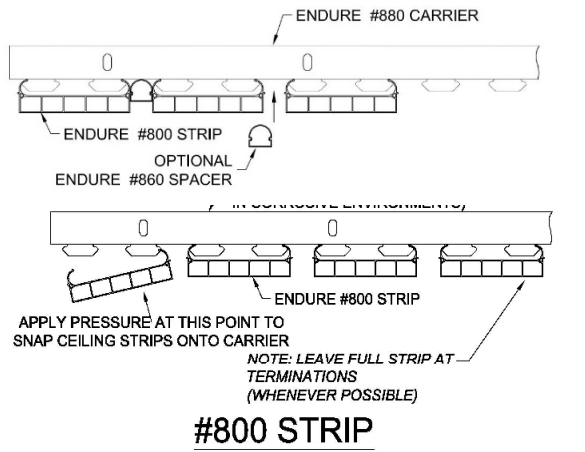
Step 5: Extending Endure Carrier

At junctions between carriers, insert one #890 carrier connector. Attach carrier connector inside carriers as shown. Stagger locations of splice.

Note:

Carrier connector is for alignment and secures the carrier when ends of carrier are joined in field. Support carrier as needed near junction.

Rulon Suspended Endure Linear 800 and 850 Ceiling Install Guide



Step 6: Ceiling Strip Attachment

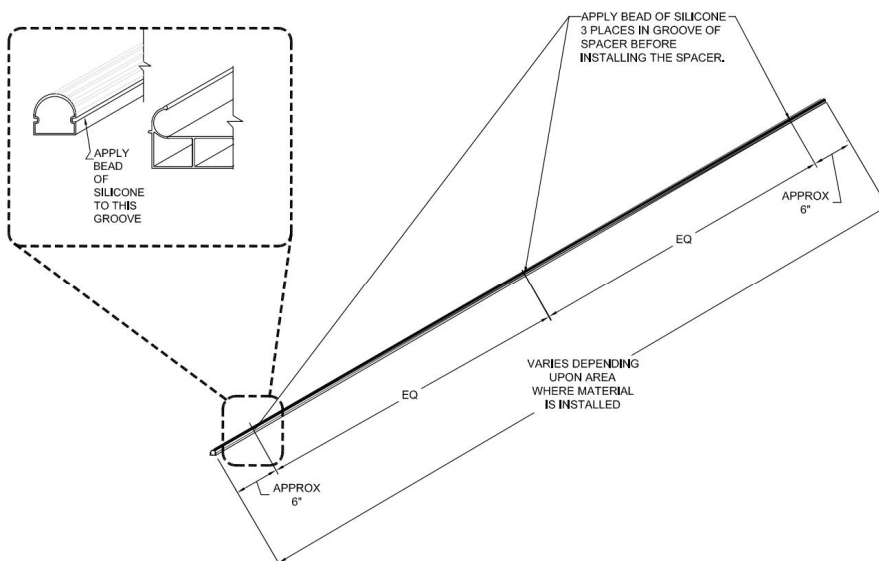
Beginning at one wall, connect the #800 or #850 Ceiling Strips to the carrier, in sequence. If acoustical blankets are to be installed, they should be placed above the ceiling, as the installation progresses. Light cutouts should also be made as the ceiling is installed.

Note:

It will be necessary to apply downward pressure to the ceiling carriers when snapping strips onto carrier.

Step 7: Spacer Installation (if necessary) Install #860 spacers between the ceiling strips. Push filler strips between ceiling strips until they snap into place. Refer to project-specific shop drawings for spacer orientation (flat side up or down).

Step 7A: Securing Exterior Spacers

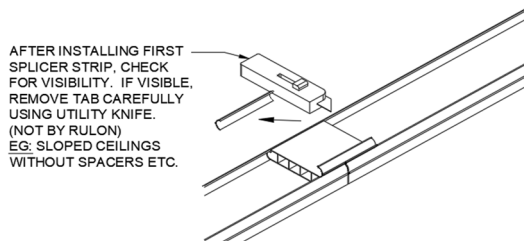
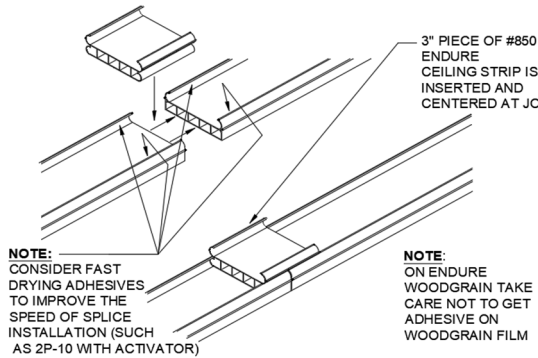


In exterior conditions, pools and gymnasiums, #860 Spacers require clear beads of silicone applied to grooves as detailed.

Rulon Suspended Endure Linear 800 and 850 Ceiling Install Guide

Step 8: Ceiling Strip Splices

When it is necessary to continue ceiling strips, align strip ends by placing a piece of #850S splice strip inverted, and centered, behind the #800 or #850 ceiling strips. This should be done when the strip is installed, prior to the installation of adjacent strips. PVC cement shall be used to secure the splice pieces. Ensure adhesive does not contact visible surfaces.

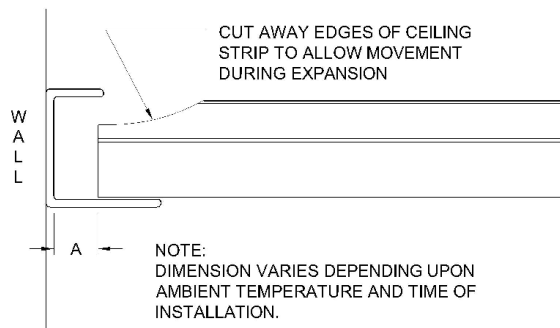


Note: When necessary, reference detail to left for ceilings where splice edge is visible. **Contact the Rulon Engineering Department for Clarification.**

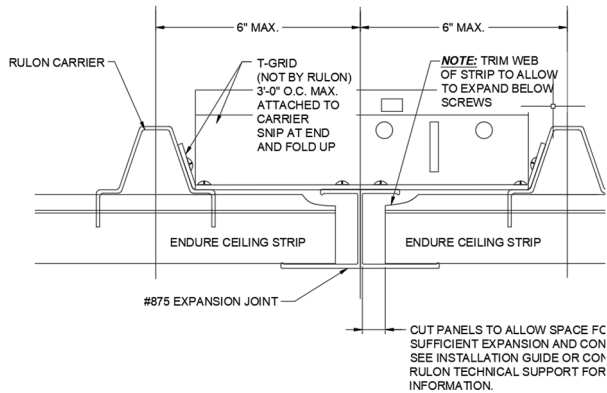
Note: Field cut all strips with a power miter saw. Use a fine-tooth blade for best results. Field check all strips (INCLUDING FULL LENGTH STRIPS) for a 90-degree cut end. Trim as necessary to ensure flush butt joints. For best results, overlap strips and cut at the same time before splicing two strips together.

Step 9: Allowance for Expansion

Trim Endure strips at perimeter to allow for expansion and contraction. Dimension 'A' varies between 1/4" [6 mm] and 1/2" [13 mm] for an 18' [5486 mm] long Endure ceiling, depending upon installation temperature. **Contact the Rulon Engineering Department for Clarification.**



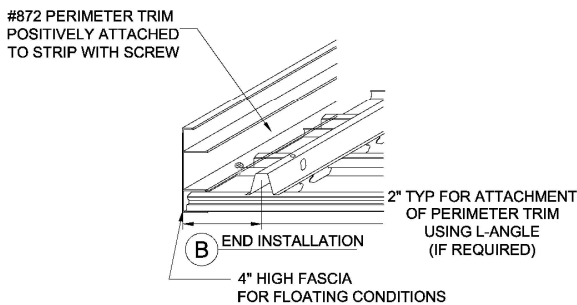
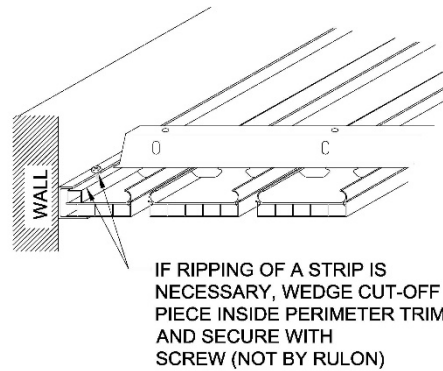
Rulon Suspended Endure Linear 800 and 850 Ceiling Install Guide



Please use Expansion Joints when required for exterior and pool applications. Please apply the same 1/4" [6mm] to 1/2" [13mm] space to allow for expansion and contraction

Step 10: Ripping a strip

Care should be taken to complete a project with full strips, but if ripping a strip in the field becomes a necessity, refer to the detail below for how to secure the final strip.



Step 11: Optional Floating Trim

#872 Perimeter Trim may be used for floating conditions if specified. Please see detail to the left for installation. Trim furnished in nominal lengths for cutting to fit in field.

Rulon Suspended Endure Linear 800 and 850 Ceiling Install Guide

Step 12: Adjustment, Cleaning, and Repair

- a. The contractor shall make final adjustments to level or contours
- b. Upon completion of the ceiling installation, the contractor shall clean all Endure strips and borders of dirt, dust, grease, oils, fingerprints, etc. using warm, soapy water – followed by a rinse.
- c. All work that cannot be successfully cleaned and repaired shall be removed & replaced.