



RULON
INTERNATIONAL

Endure Linear 910 8" Integrated Ceiling Installation Guide

Rulon Suspended Endure Linear 910 8" Module Ceiling Install Guide

Receipt and Storage:

- a. All material shall be delivered to the project site in the original, labeled, unopened packages.
- b. Material shall be stored flat and level in a secure location, preferably tarped if outside.
- c. Care in handling must be exercised to avoid damage.

Before You Begin Installation:

- a. Ensure that all necessary tools are available (see below)
- b. Check Ceiling components to ensure all items required are at hand (see Page 2)
- c. Review this guide in its entirety.
Review shop drawings if they are required for the installation.
- d. Some projects receive more than one length of material to optimize yield and minimize waste. Please be sure to check strip location on drawings.

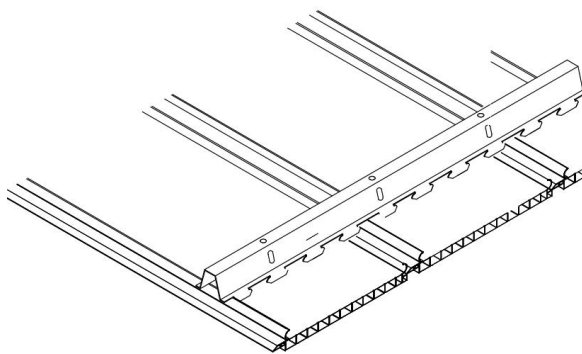
If You Need Further Assistance:

- If you have any questions, or if you encounter a situation not covered by this installation guide, contact the Rulon Engineering Department.

Phone: 904-584-1400

Tools and Equipment:

- Standard leveling devices
- Hacksaw/Tin snips
- Power miter saw w/ reversed fine tooth blade.
- Fast acting Adhesive
- NOTE: Take care not to get Adhesive on Woodgrain
- Standard Contractor's tools



Endure #910 Profile Strips Shown

Ceiling Components:

Supplied by Rulon:

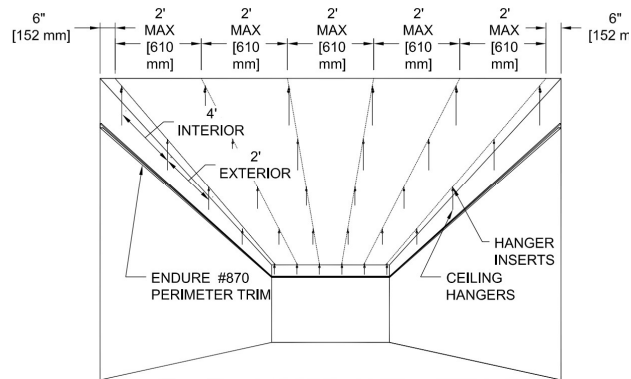
- #910 Ceiling Strips
- #872 4" Floating trim (optional)
- #875 Expansion Joint (if needed)
- #880 or #885 Carriers
- #890 or #895 Carrier Connectors
- #851S Splicing Material
- #870 Perimeter Trim

Supplied by others:

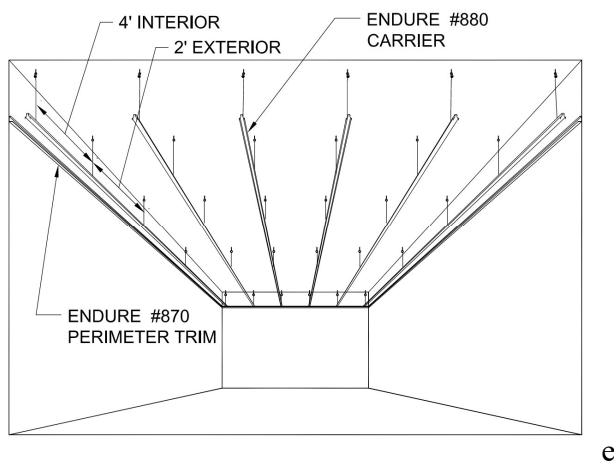
- #12 Gauge Hanger Wire
- Hanger inserts
- Fasteners, as needed
- Acoustical Blanket
(When specified)
- Fast Acting Adhesive
- Down Struts (As Required)

Rulon Suspended Endure Linear 910 8" Module Ceiling Install Guide

Step 3: Attaching Hangers (Interior)



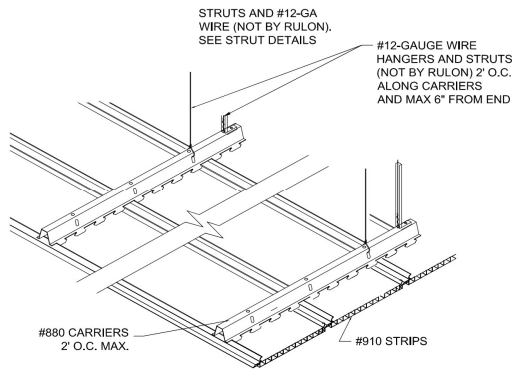
Install hanger inserts (i.e., screw eyes, star anchors, or eye pins shot or hammered into] structure or clips attached to beam flanges) at 4' [1219 mm] O.C. (Interior); 2' [610mm] O.C. (Exterior). Hang #12-Gauge wire hangers from the inserts. Hanger wires need to be hung directly from the building structure, unless otherwise covered in the Rulon shop drawings or reviewed and approved by the Rulon Engineering Department. Struts are also utilized on Exterior Ceilings.



Step 4: Carrier Suspension

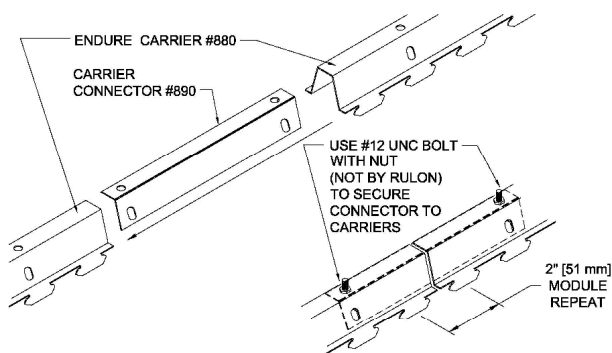
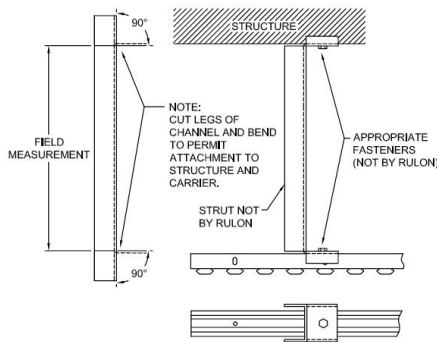
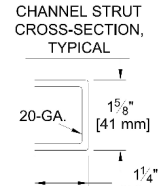
Hang carriers from ceiling hangers. Level. Interior ceiling carriers are suspended by 12-Gauge Hanger wire on 4' centers along carrier (unless otherwise denoted on Rulon Shop Drawings)

Rulon Suspended Endure Linear 910 8" Module Ceiling Install Guide



For exterior ceiling such as soffits, canopies, etc., wind uplift necessitates the use of down-struts in addition to hanger wire on maximum 2' centers along carrier. Call Rulon for any questions and refer to Rulon Shop Drawings if applicable.

Configuration of suspension system subject to change for areas requiring HVHZ design pressure. Customer to refer to local code requirements and reference custom shop drawings.



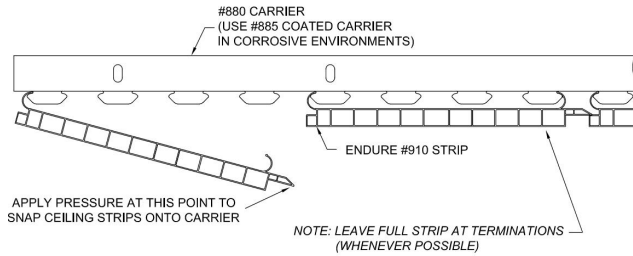
INSTALLATION TIP:
 CARRIER CONNECTOR IS DESIGNED TO BE POSITIONED INSIDE (AS SHOWN) OR OUTSIDE OF THE CARRIER, ATTACHED THROUGH HOLES IN TOP (AS SHOWN) OR SIDES

Step 5: Extending Endure Carriers

At junctions between carriers, insert one #890 carrier connector. Attach carrier connector inside carriers as shown. Stagger locations of splice.

Note:
 Carrier connector is for alignment only. Support carrier as needed near splice.

Rulon Suspended Endure Linear 910 8" Module Ceiling Install Guide



Step 6: Ceiling Strip Attachment

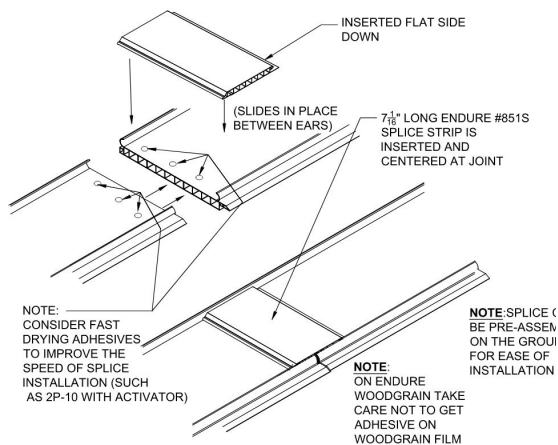
Beginning at one wall, connect the #910 Ceiling Strips to the carrier, in sequence. If acoustical blankets are to be installed, they should be placed above the ceiling, as the installation progresses. Light cutouts should also be made as the ceiling is installed.

Note:

It will be necessary to apply downward pressure to the ceiling carriers when snapping strips onto carrier.

Step 7: Ceiling Strip Splices

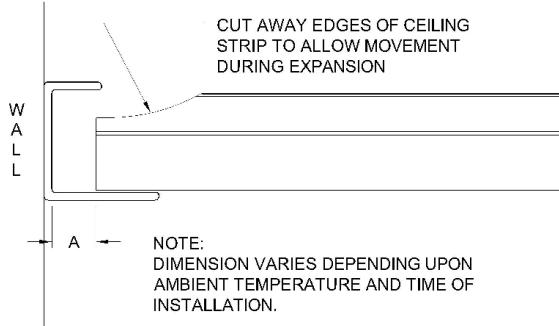
When it is necessary to continue ceiling strips, align strip ends by placing 1 piece of #851S splice strip inverted, behind the #910 ceiling strips. This should be done on a flat level surface when the strip is installed, prior to the installation of adjacent strips. Fast acting cement shall be used to secure the splice pieces. Ensure adhesive does not contact visible surfaces.



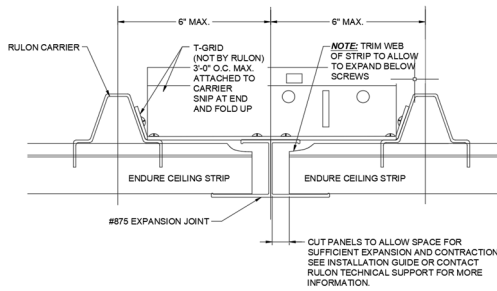
Note: Field cut all strips with a power miter saw. Use a fine-tooth blade for best results. Field check all strips (INCLUDING FULL LENGTH STRIPS) for a 90-degree cut end. Trim as necessary to ensure flush butt joints. For best results, overlap strips and cut at the same time before splicing two strips together. When splicing, cut strips to random sizes and staggered joints. Avoid locating joints directly adjacent to other joints.

Rulon Suspended Endure Linear 910 8" Module Ceiling Install Guide

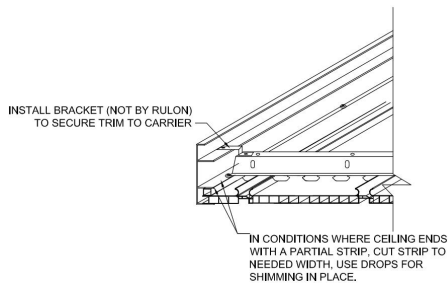
Step 8: Allowance for expansion



Trim Endure strips at perimeter to allow for expansion and contraction. Dimension 'A' varies between $\frac{1}{4}$ " [6 mm] and $\frac{1}{2}$ " [13 mm] for an 18' [5486 mm] long Endure ceiling, depending upon installation temperature. **Contact the Rulon Engineering Department for Clarification.**

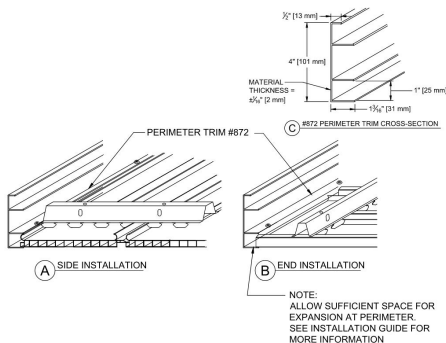


Please use Expansion Joints when required for exterior and pool applications. Please apply the same $\frac{1}{4}$ " [6mm] to $\frac{1}{2}$ " [13mm] space to allow for expansion and contraction. Refer to Rulon shop drawings for expansion joint locations, if applicable.



Step 9: Ripping a strip

Care should be taken to complete a project with full strips, but if ripping a strip in the field becomes a necessity, refer to the detail to the left for how to secure the final strip.



Step 10: Optional Floating Trim

#872 Perimeter Trim may be used for floating conditions if specified. Please see detail to the left for installation. Trim furnished in nominal lengths for cutting to fit in field.

Rulon Suspended Endure Linear 910 8" Module Ceiling Install Guide

Last Step: Adjustment, Cleaning, and Repair

- a. The contractor shall make final adjustments to level or contours.
- b. Upon completion of the ceiling installation, the contractor shall clean all Endure strips and borders of dirt, dust, grease, oils, fingerprints, etc. using warm, soapy water – followed by a rinse.
- c. All work that cannot be successfully cleaned and repaired shall be removed & replaced.