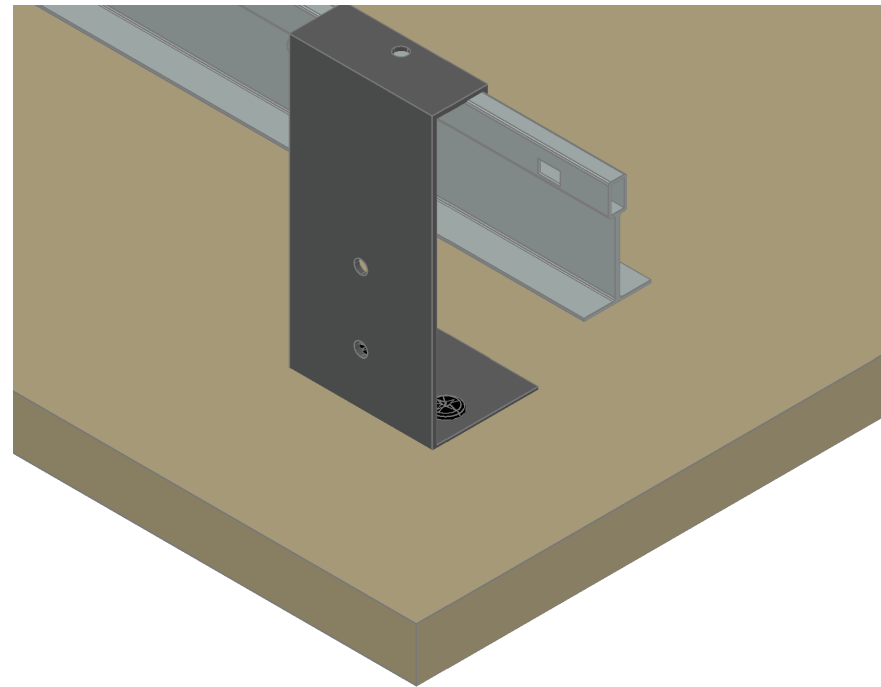

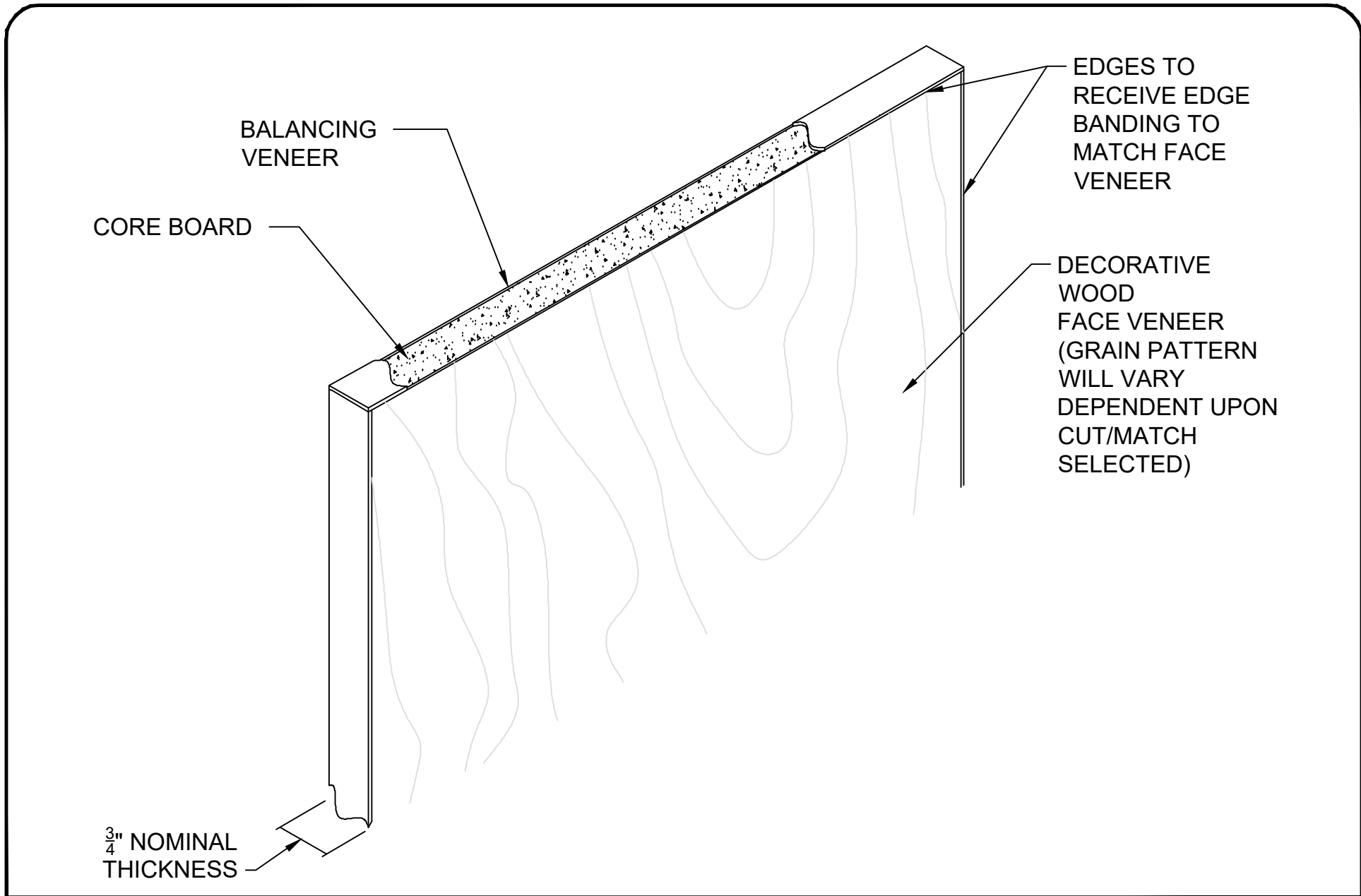



<u>DRAWING #</u>	<u>TITLE</u>
FVP-ISO1	Flat Venner Panel Isometric
AXXX0011	C-Hanger Mounting Detail
AXXX0012	Torsion Spring Mounting Detail - Flush
AXXX0013	Z-Clip Mounting Detail
Reveal Trim	Reveal Trim Detail
AXXX0015	Direct Scew Ceiling Attachment Detail
AXXX0016	Edge Conditions Details

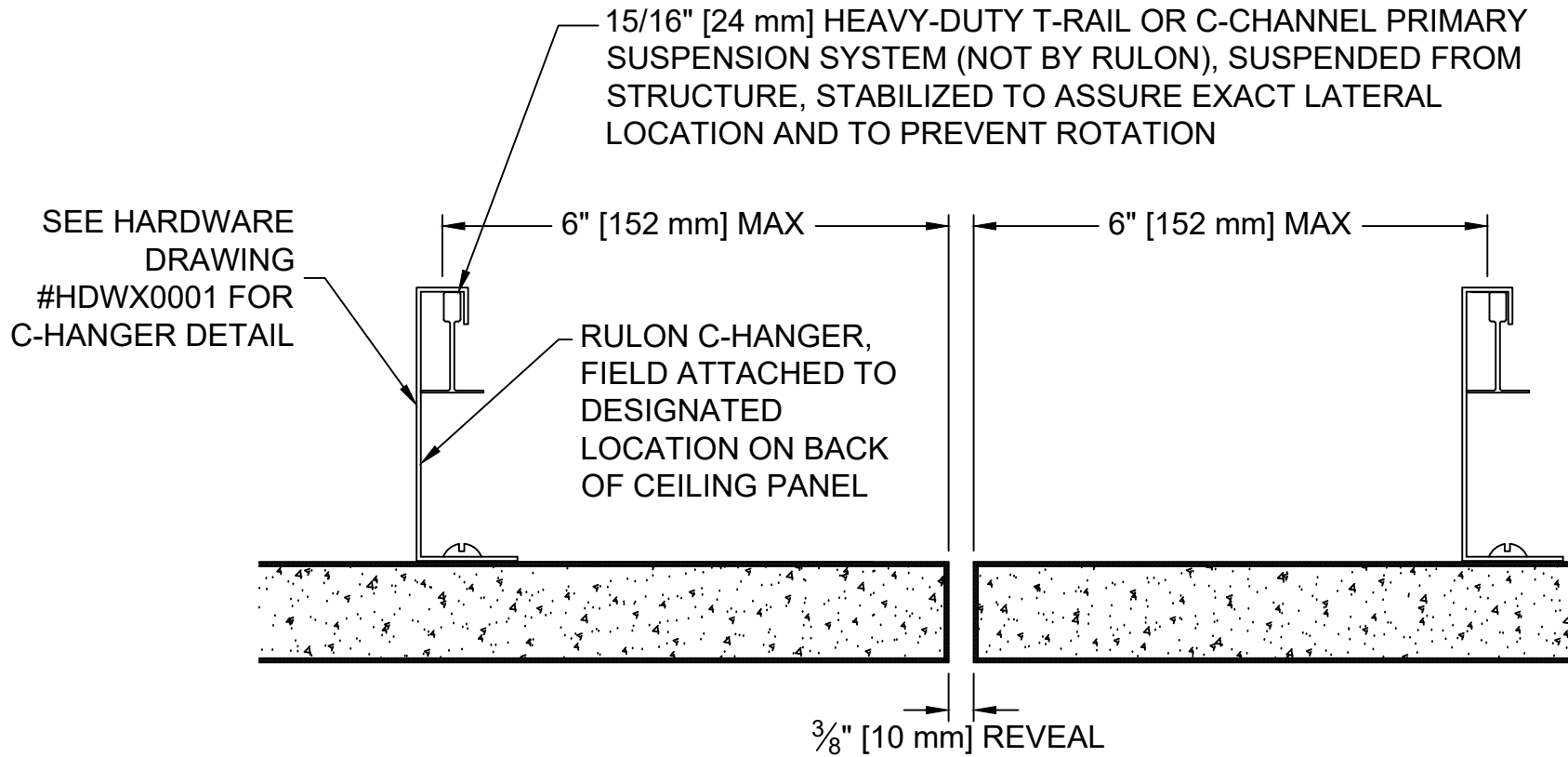


Flat Veneer Panel with C-Hanger

 <p>RULON INTERNATIONAL 2000 Ring Way St. Augustine, FL 32092 (904) 584-1400 info @ rulonco.com www.rulonco.com</p>	PROJECT:	ISSUE DATE:	DRAWN BY: CAP	PROJECT NUMBER:
	TITLE: Flat Veneer Panel Index	REVISION DATE: MAR/31/2022	CHECKED BY: TDA	DRAWING NUMBER: INDEX



 <p> RULON INTERNATIONAL 2000 Ring Way St. Augustine, FL 32092 (904) 584-1400 info @ rulonco.com www.rulonco.com </p>	PROJECT:	ISSUE DATE:	DRAWN BY: CAP	PROJECT NUMBER:
	TITLE: Flat Veneer Panel Isometric	REVISION DATE: MAR/31/2022	CHECKED BY: TDA	DRAWING NUMBER: FVP-ISO1



RULON INTERNATIONAL
2000 Ring Way
St. Augustine, FL 32092

(904) 584-1400
info @ rulonco.com

www.rulonco.com

PROJECT:

TITLE: C-Hanger Mounting Detail

ISSUE DATE:

REVISION DATE:
MAR/14/2019

DRAWN BY:

CAP

CHECKED BY:

TA

PROJECT NUMBER:

DRAWING NUMBER:

AXXX0011

NOTE:

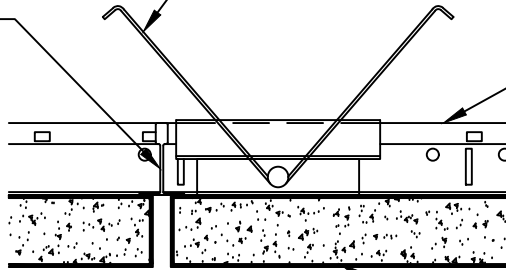
SEE HARDWARE DRAWING
#HDWX002 FOR TORSION
SPRING ASSEMBLY DETAIL

15/16" [24 mm]
HEAVY-DUTY T-GRID
CROSS RAIL
(NOT BY RULON)

RULON TORSION
SPRING ASSEMBLY

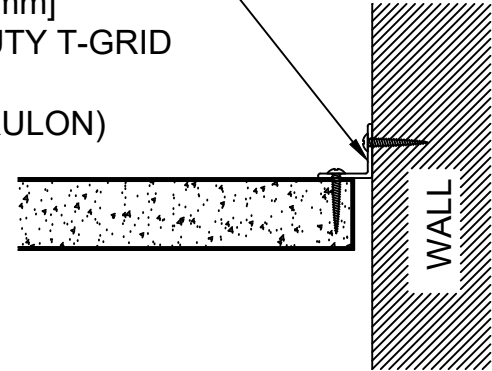
WALL ANGLE
(NOT BY RULON)

15/16" [24 mm]
HEAVY-DUTY T-GRID
MAIN RAIL
(NOT BY RULON)



PANEL

3/8" (TYP) [10 mm]

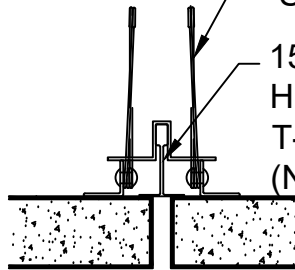


WALL

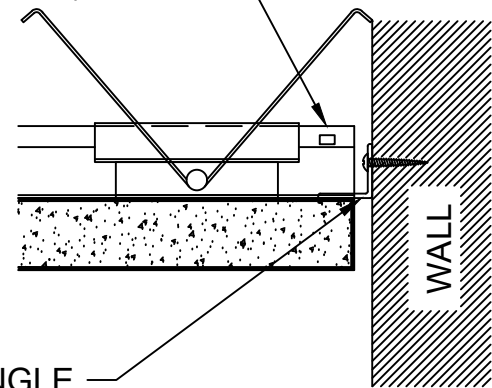
RULON TORSION
SPRING ASSEMBLY

15/16" [24 mm]
HEAVY-DUTY T-GRID
MAIN RAIL
(NOT BY RULON)

15/16" [24 mm]
HEAVY-DUTY
T-GRID MAIN RAIL
(NOT BY RULON)



3/8" (TYP) [10 mm]



WALL

WALL ANGLE
(NOT BY RULON)



RULON INTERNATIONAL
2000 Ring Way
St. Augustine, FL 32092

(904) 584-1400
info @ rulonco.com

www.rulonco.com

PROJECT:

ISSUE DATE:

DRAWN BY:

PROJECT NUMBER:

CAP

TITLE: Torsion Spring Mounting Detail -
Flush

REVISION DATE:

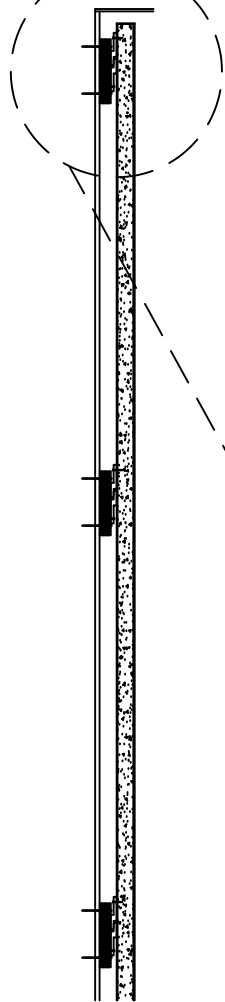
CHECKED BY:

DRAWING NUMBER:

MAR/14/2019

TA

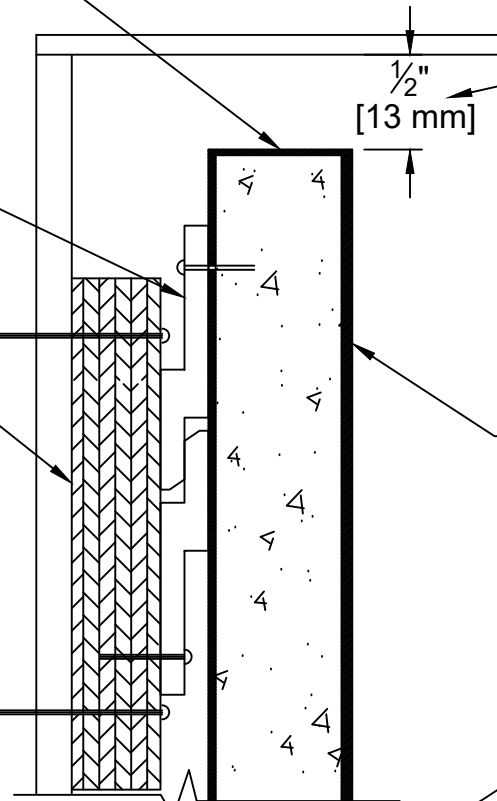
AXXX0012



MATCHING
VENEER
EDGE BAND

RULON Z-CLIPS
FIELD INSTALLED

BLOCKING AS
NECESSARY
(BY OTHERS)



1/2"
[13 mm]

REQUIRED SPACE
TO INSTALL
PANELS (LIFT
PANEL AND
ENGAGE ONTO
Z-CLIPS)

RULON PANEL
FACE

NOTE:
SEE HARDWARE
DRAWING #HDWX0003
FOR Z-CLIP DETAIL



RULON INTERNATIONAL
2000 Ring Way
St. Augustine, FL 32092

(904) 584-1400
info @ rulonco.com

www.rulonco.com

PROJECT:

TITLE: Z-Clip Mounting Detail

ISSUE DATE:

REVISION DATE:
MAR/14/2019

DRAWN BY:

CAP

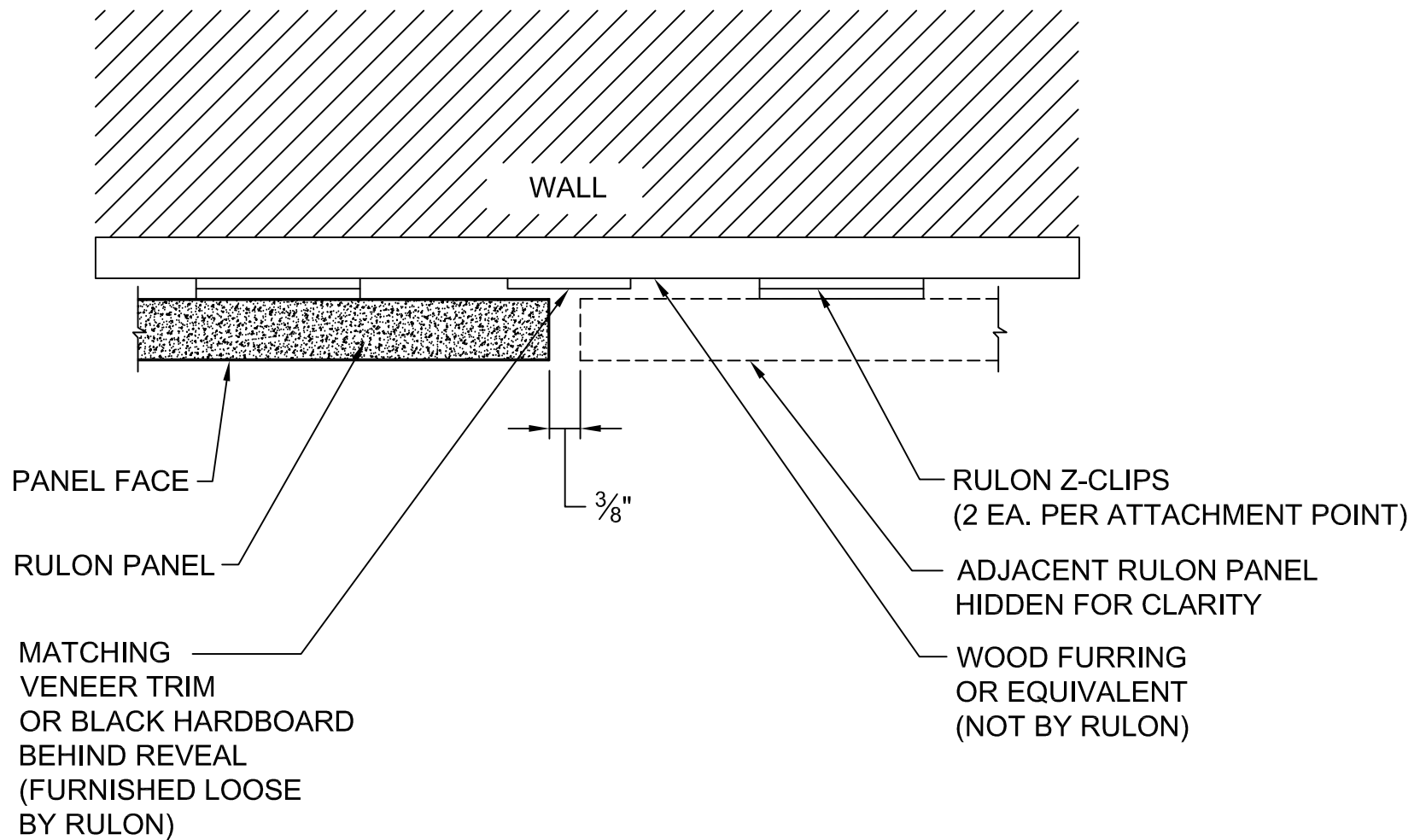
CHECKED BY:

TA

PROJECT NUMBER:

DRAWING NUMBER:

AXXX0013



RULON INTERNATIONAL
2000 Ring Way
St. Augustine, FL 32092

(904) 584-1400
info @ rulonco.com

www.rulonco.com

PROJECT:

TITLE: Veneer Panel Wall with
Reveal Trim

ISSUE DATE:

REVISION DATE:
MAY/16/2022

DRAWN BY:

CAP

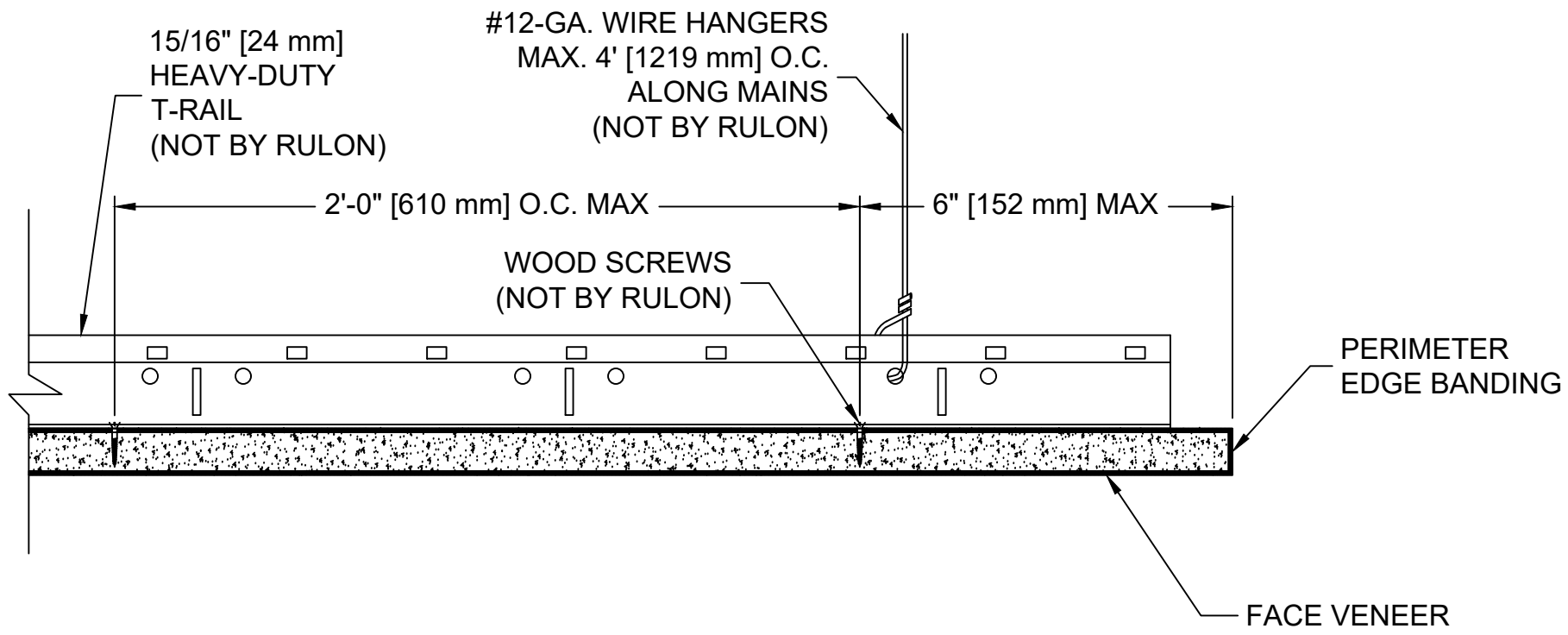
CHECKED BY:

TDA

PROJECT NUMBER:

DRAWING NUMBER:

REVEAL
TRIM



RULON INTERNATIONAL
 2000 Ring Way
 St. Augustine, FL 32092

(904) 584-1400
 info @ rulonco.com

www.rulonco.com

PROJECT:

TITLE: Direct Screw Ceiling Attachment Detail

ISSUE DATE:

REVISION DATE:
 MAR/14/2019

DRAWN BY:

CAP

CHECKED BY:

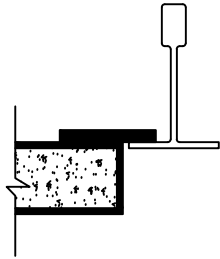
TA

PROJECT NUMBER:

DRAWING NUMBER:

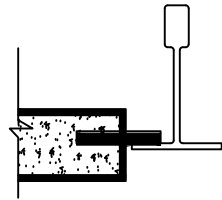
AXXX0015

Edge-banded Full
Depth Tegular



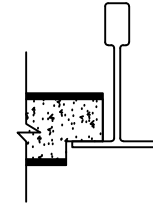
15/16" [24 mm] T-Grid
AND
9/16" [14 mm] T-Grid

Edge-banded Partial
Depth Tegular



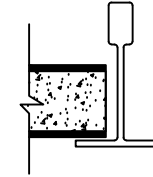
15/16" [24 mm] T-Grid
AND
9/16" [14 mm] T-Grid

Standard Tegular



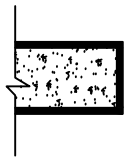
15/16" [24 mm] T-Grid
AND
9/16" [14 mm] T-Grid

Lay-in



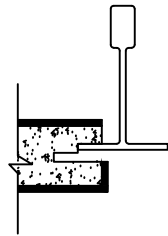
15/16" [24 mm] T-Grid
AND
9/16" [14 mm] T-Grid

Edge-banded



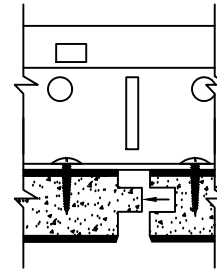
Direct attach,
C-Hangers, Torsion
Springs
15/16" [24 mm] T-Grid

Edge-banded Side Slot



15/16" [24 mm] T-Grid

Tongue and Groove
Sides (Not End-banded)



Direct Screw from Above
Ceiling Grid
15/16" [24 mm] T-Grid

NOTES:

- 1) Heavy Duty T-Grid (Not by Rulon) Mains to be on 2' MAX. Centers
- 2) These edge conditions apply to 3/4" [19 mm] Thick Panels only



RULON INTERNATIONAL
2000 Ring Way
St. Augustine, FL 32092

(904) 584-1400
info @ rulonco.com

www.rulonco.com

PROJECT:

TITLE:

Veneer Edge Conditions Ceilings

ISSUE DATE:

MAR/14/2019

REVISION DATE:

OCT/01/2024

DRAWN BY:

CAP

CHECKED BY:

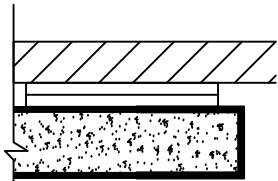
TDA

PROJECT NUMBER:

DRAWING NUMBER:

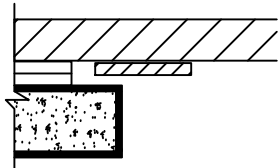
AXX0016C

Edge-banded



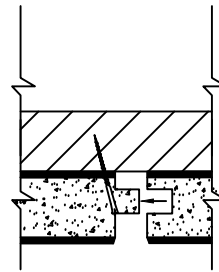
For use with Z-clips

Edge-banded
with Reveal Spacer



Black or Matching Wood
Veneer Reveal Spacer
Furnished Loose
(Furring Not by Rulon)
[Z-clips]

Tongue and Groove
Sides (Not End-banded)



Direct Attach
Through Tongue into
Furring (Not by Rulon)
16" MAX. On Center

NOTES:

- 1) Furring (Not by Rulon)
2' MAX
On Center
(Unless Noted
Otherwise)
- 2) These edge
conditions
apply to 3/4"
[19 mm] Thick
Panels only



RULON INTERNATIONAL
2000 Ring Way
St. Augustine, FL 32092

(904) 584-1400
info @ rulonco.com

www.rulonco.com

PROJECT:

TITLE:

Veneer Edge Conditions Walls

ISSUE DATE:

MAR/14/2019

REVISION DATE:

OCT/01/2024

DRAWN BY:

CAP

CHECKED BY:

TDA

PROJECT NUMBER:

DRAWING NUMBER:

AXX0016W