



## Flat Panel and Aluratone Custom Size Walls and Ceilings Installation Guide

2000 Ring Way Rd, St. Augustine, FL 32092 | (904) 584-1400 | [rulonco.com](http://rulonco.com)

# Rulon Flat Panel and Aluratone Custom Size Installation Guide

---

## **Receipt and Storage:**

- a. All material shall be delivered to the project site in the original, labeled, unopened packages. Keep packages of components unopened until it is time to acclimate to the building conditions
- b. Material shall be stored flat and level in a fully enclosed space. **DO NOT Store Rulon products in direct sunlight.** Seventy-two hours before beginning ceiling installation, skids must be moved into the room where the HVAC system is operating and the packaging shall be opened. This is to allow the panels to adjust to the room environment. Wood panels are to be stored off the floor.
- c. Care in handling must be exercised to avoid damage.

## **Before You Begin Installation:**

- a. Ensure that all necessary tools are available (see below)
- b. Check Wall components to ensure all items required are at hand (see Page 2)
- c. Review this guide in its entirety. If you have any questions, call Rulon Company before you start the installation
- d. Installation shall be done only when the temperature and humidity closely approximate the interior conditions that will exist when the building is occupied. The heating and cooling systems shall be operating before, during, and after installation, with the humidity of the interior spaces maintained between 25% and 55%, temperature between 60 to 90 degrees F.
- e. It is important that area have proper ventilation, especially in high moisture areas. There shall be no excessive build up of heat in the space.
- f. Prior to the start of installation, all exterior windows and doors are to be in place, glazed, and weather-stripped. The roof is to be watertight, and all wet trades' work is to be completed, and thoroughly dry.
- g. Mechanical, electrical, and other utility service installations above the ceiling plane shall have been completed. No materials should rest or wrap around, the ceiling suspension components or connecting hangers.

## **If You Need Further Assistance:**

- If you have any questions, or if you encounter a situation not covered by this installation guide, contact the Rulon Technical Department.

Phone: 1-800-22RULON (1-800-227-8566), 904-584-1400

Fax: 1-904-584-1499

## **Tools and Equipment:**

- Standard leveling devices
- Saber saw
- Miter saw
- Table Saw/Track saw (Festool TS55 or Makita XPSO1PJT)

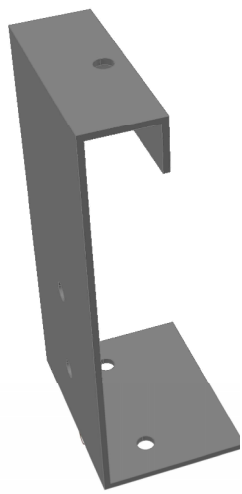
## Rulon Flat Panel and Aluratone Custom Size Installation Guide

---

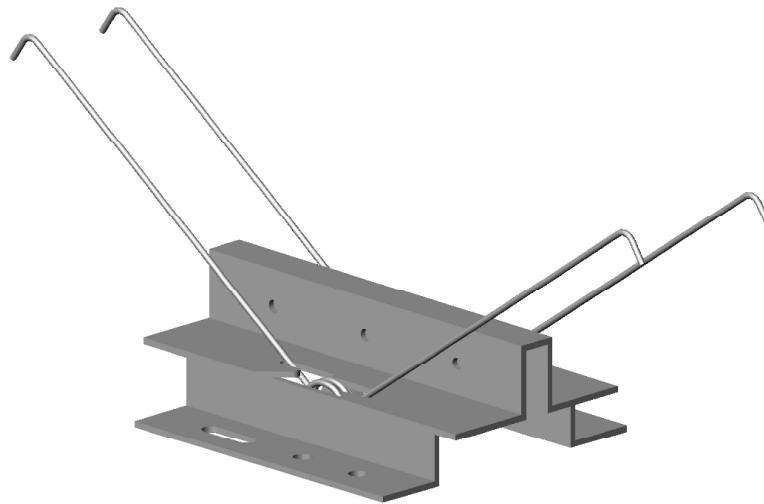
- Nail gun/Staple Gun
- Painters tape
- Colored putty/ fill crayons
- Screw Guns/Drills
- Standard household iron
- 120 grit sandpaper
- Small roller of wood block

# Rulon Flat Panel and Aluratone Custom Size Installation Guide

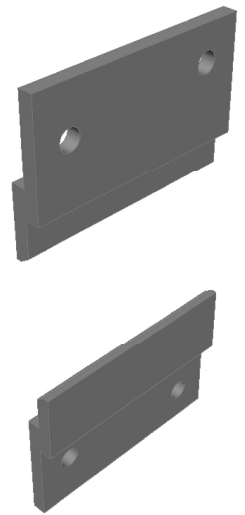
---



C-Hanger  
(Ceilings)



Torsion Springs  
(Ceilings)



Z-Clips  
(Walls)

## **Ceiling and Wall Components:**

### **Supplied by Rulon:**

- Veneer Panels
- Perimeter and border trim (when specified)
- Gasket or felt for ceiling reveals
- Suspension Hardware (see above)
- Touch-up finish

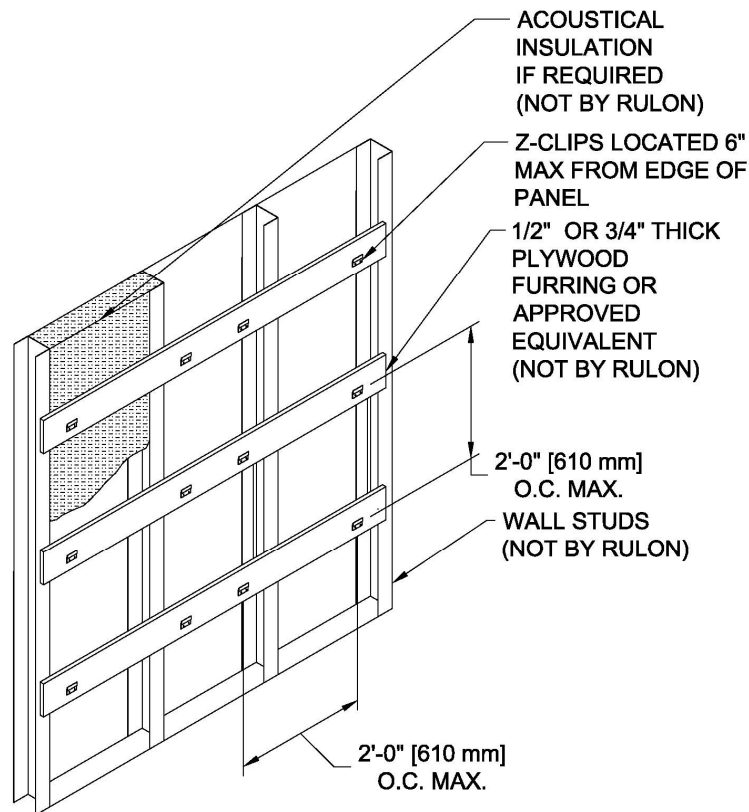
### **Supplied by Others:**

- Ceilings – Heavy Duty Grid, #12 Gauge Hanger Wire, and hardware
- Walls - Furring strips and/or Plywood Sheathing
- Acoustical Blanket (when specified)

### **References:**

- Optional: ASTM E-1264 – Standard Classification of Acoustical Ceiling Products
- Optional: Seismic Considerations – Refer to Local Code

# Rulon Flat Panel and Aluratone Custom Size Installation Guide



## Step 1: Wall (Shown) or Ceiling Preparation

Walls: Level and Install furring strips or plywood sheathing across wall studs as shown above. Mark locations and Install Z-Clips keeping in mind attachment criteria on the following page.

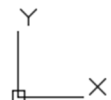
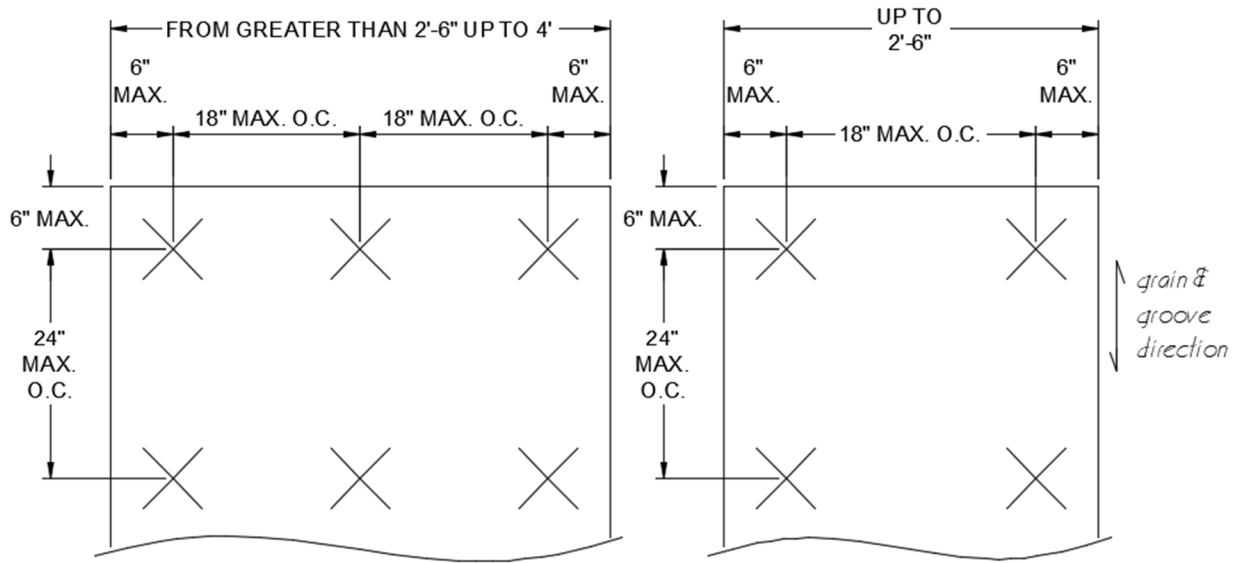
Note: Z-clips should be installed on panel first, then locate mating z-clip on wall.

Note: For Aluratone Panels ensure attachment locations avoid perforations.

Ceilings: Install Heavy Duty Ceiling Grid on Maximum 2' [610 mm] Centers unless otherwise detailed in Rulon shop drawings. Suspend from #12 Gauge Hanger wire or equivalent. Wires need to be hung directly from building structure on maximum 4' centers along rails, unless otherwise covered in the Rulon shop drawings, or reviewed and approved by the Rulon Engineering Department.

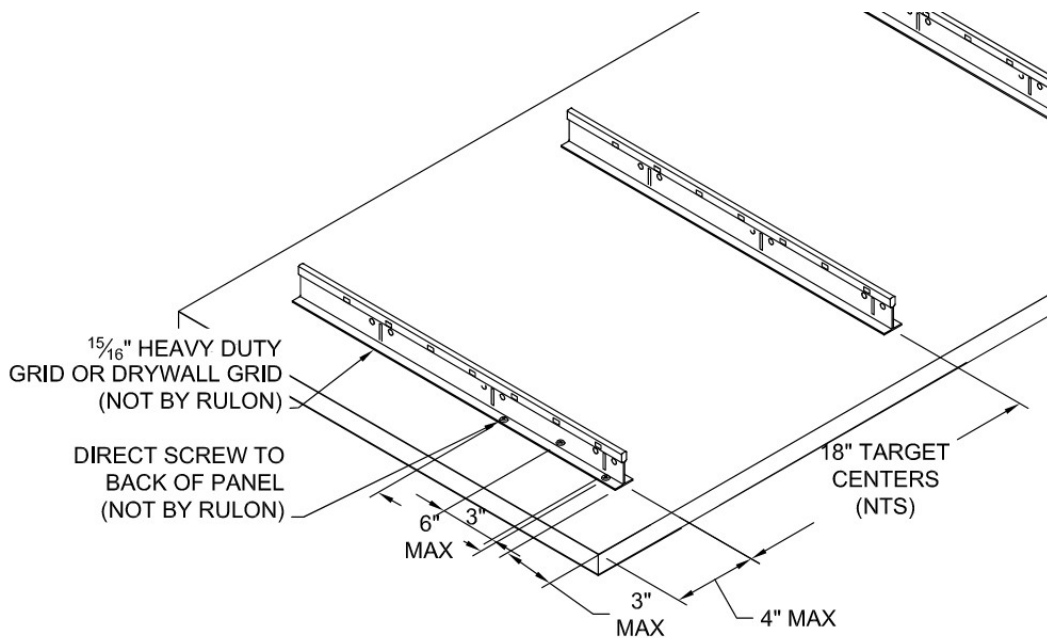
Note: Attachment points for flexible panels vary. Refer to shop drawings.

# Rulon Flat Panel and Aluratone Custom Size Installation Guide



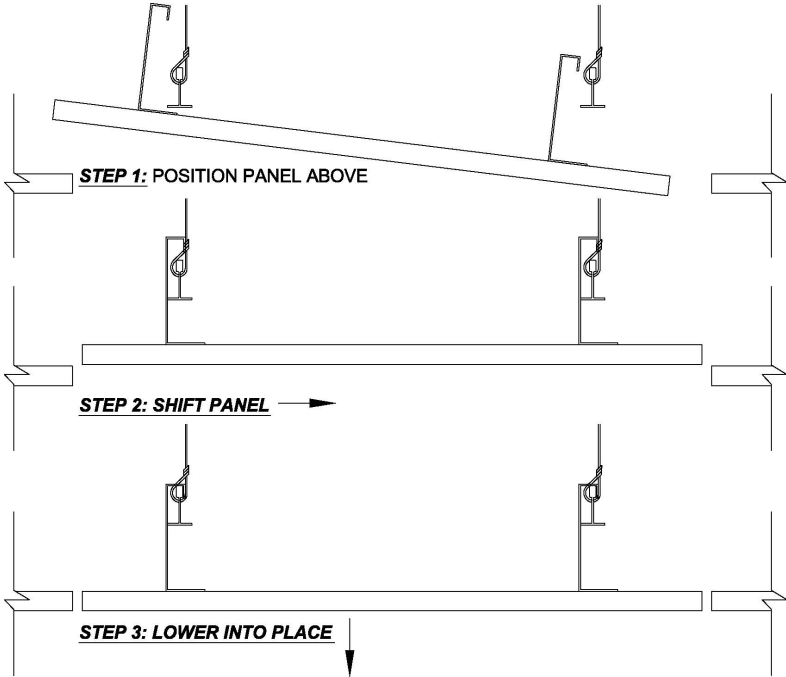
## **Step 2: Installing Panels**

Fasten Panels to suspension systems using hardware as indicated on shop drawings. Utilize the above attachment criteria for flat veneer or Aluratone panels. 18" Spacing can be increased to 24" max. for walls and non-grooved Aluratone or Flat Veneer ceiling panels. Refer to Rulon Shop drawings for curved or flexible panels as additional attachment points may be required. See the following two pages for typical hardware installations. In some cases ceiling stiffeners (by contractor) may be needed per below.

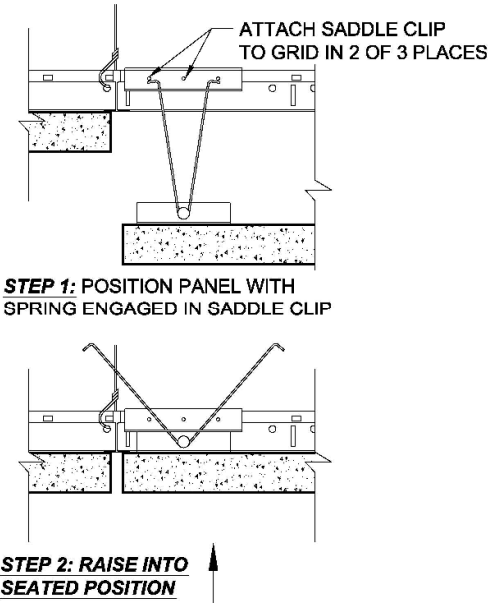


# Rulon Flat Panel and Aluratone Custom Size Installation Guide

## a) C-Hangers Installation

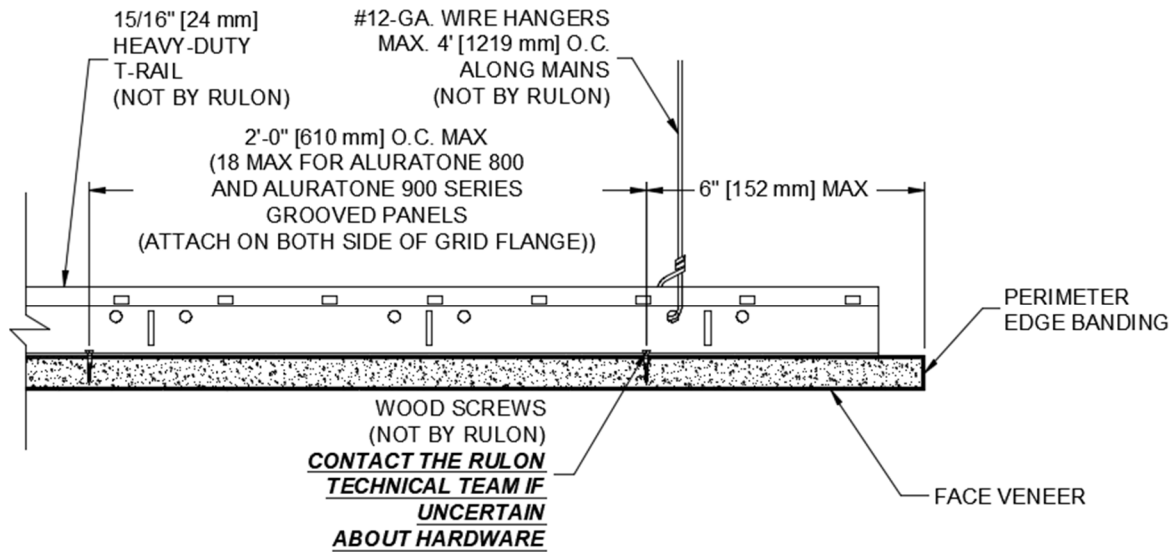


## b) Torsion Spring Installation

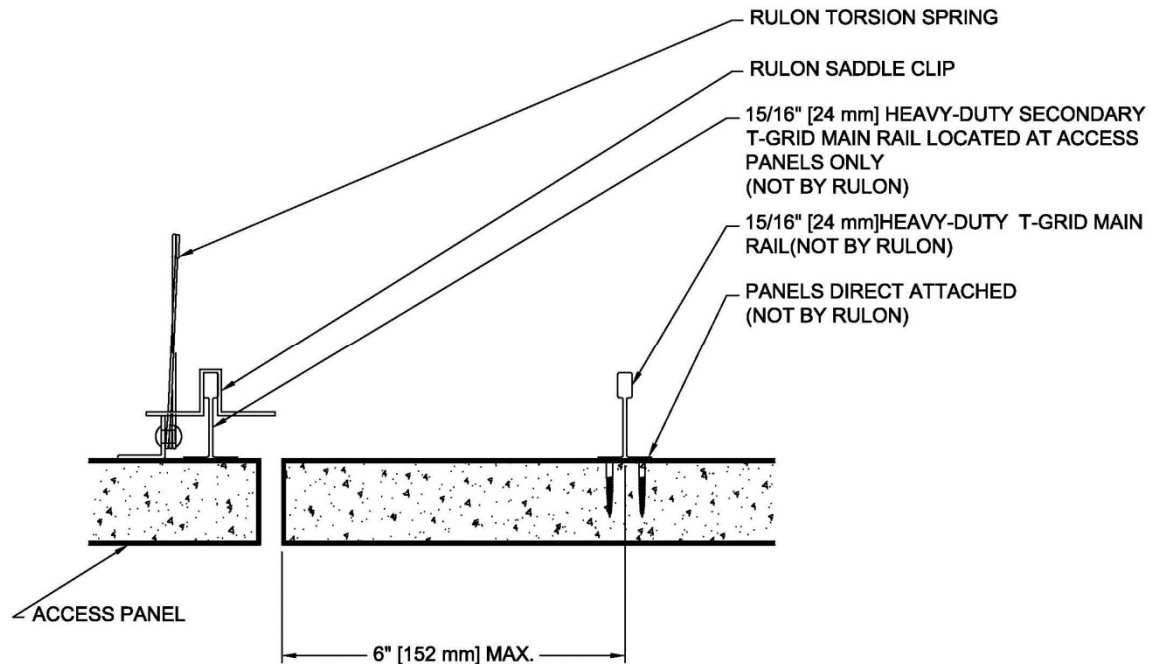


# Rulon Flat Panel and Aluratone Custom Size Installation Guide

## c) Direct Attachment



## d) Access Panels with direct-screw attachment



One Method of installing access panels with direct-screw attached panels is to run secondary grid and install saddle clips and torsion springs, as shown above. Size of panel and quantity of torsion springs is dependent upon ceiling layout and Architect's design.



# Rulon Flat Panel and Aluratone Custom Size Installation Guide

---

## **Step 3: Bases and Borders**

Panels are to be field-trimmed to fit site conditions. Trimming should be done with the appropriate saw (refer to tools sections), with blue painters tape on the face veneer side to prevent splintering. Penetration cuts require a saber/jig saw, long-dimension cuts/rips and cross cuts require a track saw such as those listed in tools section. If cut edge is not visible, remove dust and touch-up with supplied finish. Take care to prevent damage to face grooves in handling panels

If panel edge is visible and/or field-edge banding is required please use the following procedure for field-cut panels after all required cuts to the panel have been made. First remove all dust from cut edge of the panel. (A stiff brush will work for this), then follow one of the following procedures: A) Iron-on edge band banding (pre-glued) OR B) Field-glued edge banding:

### A) Iron on edge banding

1. Position edge banding along edge
2. Apply hot iron starting at one edge, working slowly towards the opposite end. (RULON TIP: Apply only enough heat to soften hot glue – too much may burn or scorch the edge-banding finish)
3. As edge-banding is applied, follow with roller or wood block to apply pressure while glue is cooling – this will assure a good bond
4. Trim excess edge-banding with knife flush to panel face, panel rear, and ends

### B) Field-glued edge banding

1. Apply Blue Painters Tape on the Face and edges of the panel along the cut edge. (This will help protect the finish of the panel).
2. Apply Contact Cement to the cut edge of the panel and to the edge band provided. A least two coats should be applied to the panel core. Composite panels with 2mm Edge Banding require application of 3 coats. Follow manufacturer's instructions.
3. Carefully position the edge band to the panel and apply pressure to secure. A small roller or block of wood can be used to achieve adequate pressure.
4. Using a sharp razor knife, carefully trim the excess edge band flush to the face of the panel. A block of wood held against the edge band while trimming will make this easier.
5. Remove the Painters Tape and lightly sand the cut edge of the edge band. Clean off any remaining cement.

Lightly sand and touch up with touch-up finish provided as needed. For the field-cut panels, Rulon will supply an adequate amount of touch up that should be field applied with a foam brush.

# Rulon Flat Panel and Aluratone Custom Size Installation Guide

---

## **Step 4: Cleanup**

1. Clean all wood panels and borders free of dirt, dust, grease, oils, and fingerprints. Routine cleaning is best accomplished with a soft, lint-free cloth lightly dampened with water or an inert household dust attractant. Allowing airborne dust, which is somewhat abrasive, to build up will tend to dull a finish over time. Refer to the Rulon Care and Maintenance document for further instructions.
2. Remove and replace all work that cannot be successfully cleaned or repaired.