



Aluratone 800 & 900 Series
Tongue and Groove
Walls and Ceilings
Installation Guide

Rulon Aluratone 800 & 900 Series Tongue and Groove Wood Walls and Ceilings Installation Guide

Receipt and Storage:

- a. All material shall be delivered to the project site in the original, labeled, unopened packages. Keep packages of components unopened until it is time to acclimate to the building conditions
- b. Material shall be stored flat and level in a fully enclosed space. **DO NOT Store Rulon products in direct sunlight.** Seventy-two hours before beginning ceiling installation, skids must be moved into the room where the HVAC system is operating and the packaging shall be opened. This is to allow the panels to adjust to the room environment. Wood panels are to be stored off the floor.
- c. Care in handling must be exercised to avoid damage.

Before You Begin Installation:

- a. Ensure that all necessary tools are available (see below)
- b. Check Wall components to ensure all items required are at hand (see Page 2)
- c. Review this guide in its entirety. If you have any questions, call Rulon Company before you start the installation
- d. Installation shall be done only when the temperature and humidity closely approximate the interior conditions that will exist when the building is occupied. The heating and cooling systems shall be operating before, during, and after installation, with the humidity of the interior spaces maintained between 25% and 55%, temperature between 60 to 90 degrees F.
- e. It is important that area have proper ventilation, especially in high moisture areas. There shall be no excessive build-up of heat in the space.
- f. Prior to the start of installation, all exterior windows and doors are to be in place, glazed, and weather-stripped. The roof is to be watertight, and all wet trades' work is to be completed, and thoroughly dry.
- g. Mechanical, electrical, and other utility service installations above the ceiling plane shall have been completed. No materials should rest or wrap around, the ceiling suspension components or connecting hangers.
- h. Consult local codes for governing suspension requirements.

If You Need Further Assistance:

- If you have any questions, or if you encounter a situation not covered by this installation guide, contact the Rulon Technical Department.

Phone: 1-800-22RULON (1-800-227-8566) or 1-904-584-1400

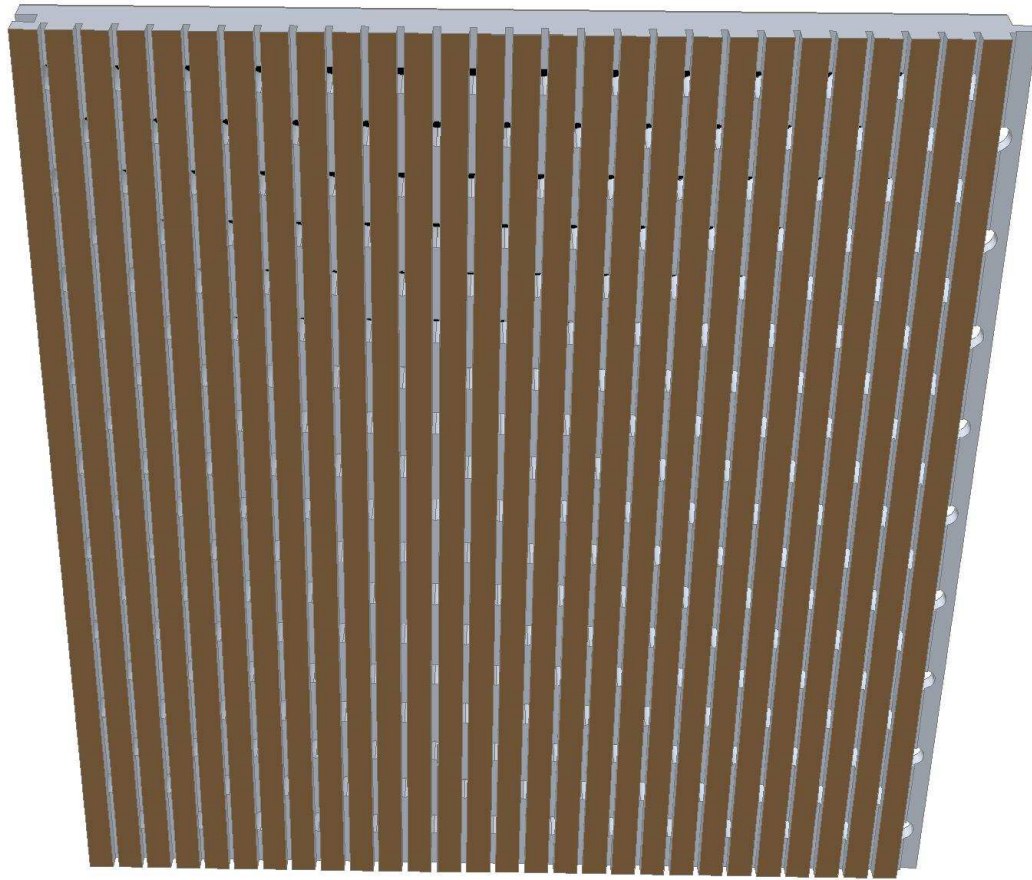
Fax: 1-904-584-1499

Rulon Aluratone 800 & 900 Series Tongue and Groove Wood Walls and Ceilings Installation Guide

Tools and Equipment:

- Standard leveling devices
- Saber saw
- Miter saw
- Table Saw
- Track saw (Festool TS55 or Makita XPSO1PJT)
- Nail gun
- Painters tape
- Colored putty/ fill crayons

Rulon Aluratone 800 & 900 Series Tongue and Groove Wood Walls and Ceilings Installation Guide



Aluratone 900 shown
(Other 800 and 900 series panels similar)

Wall or Ceiling Components:

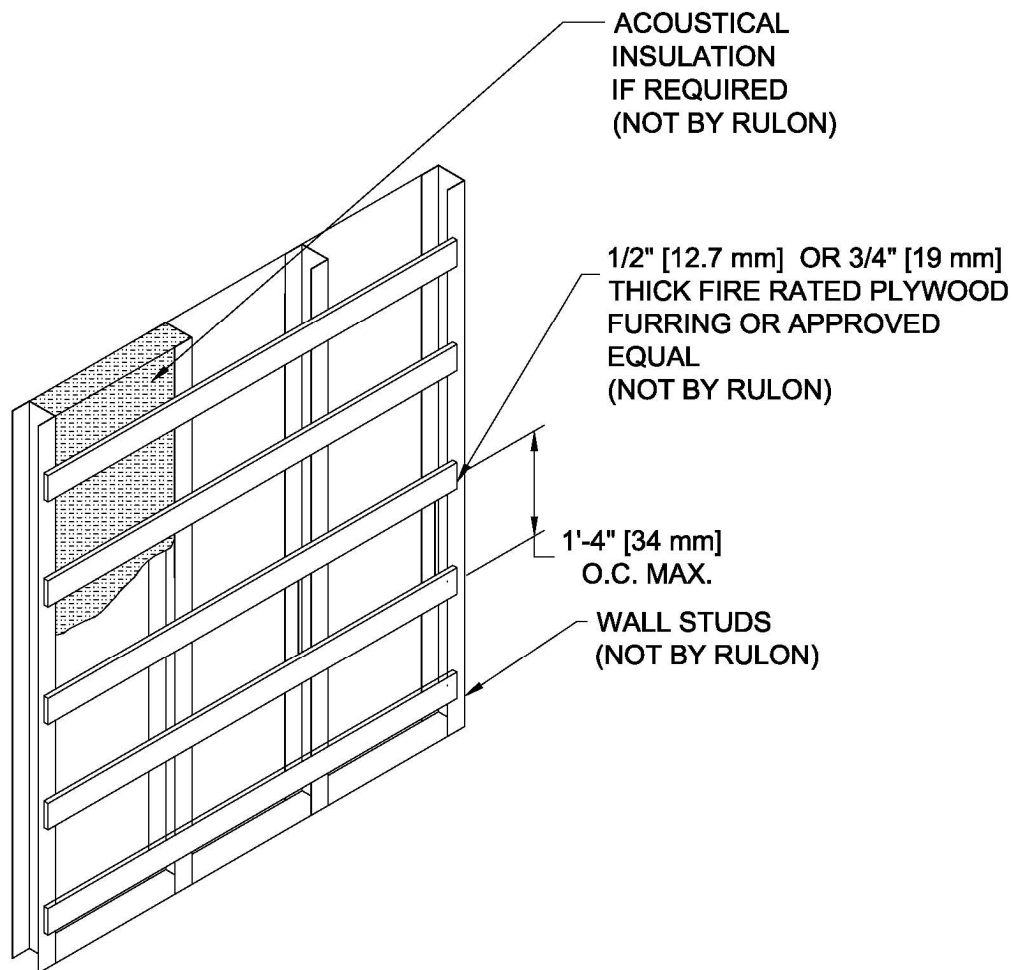
Supplied by Rulon:

- Acoustical Tongue and Groove Panels (shown above)
- Perimeter and border trim (when specified)
- Touch-up finish

Supplied by Others:

- 1½" [38 mm] finishing nails
- Furring strips
- Acoustical Blanket (when specified)
- Seismic Compliance per local code
- 15/16" [24mm] Heavy Duty T-Grid and/or suspension components

Rulon Aluratone 800 & 900 Series Tongue and Groove Wood Walls and Ceilings Installation Guide



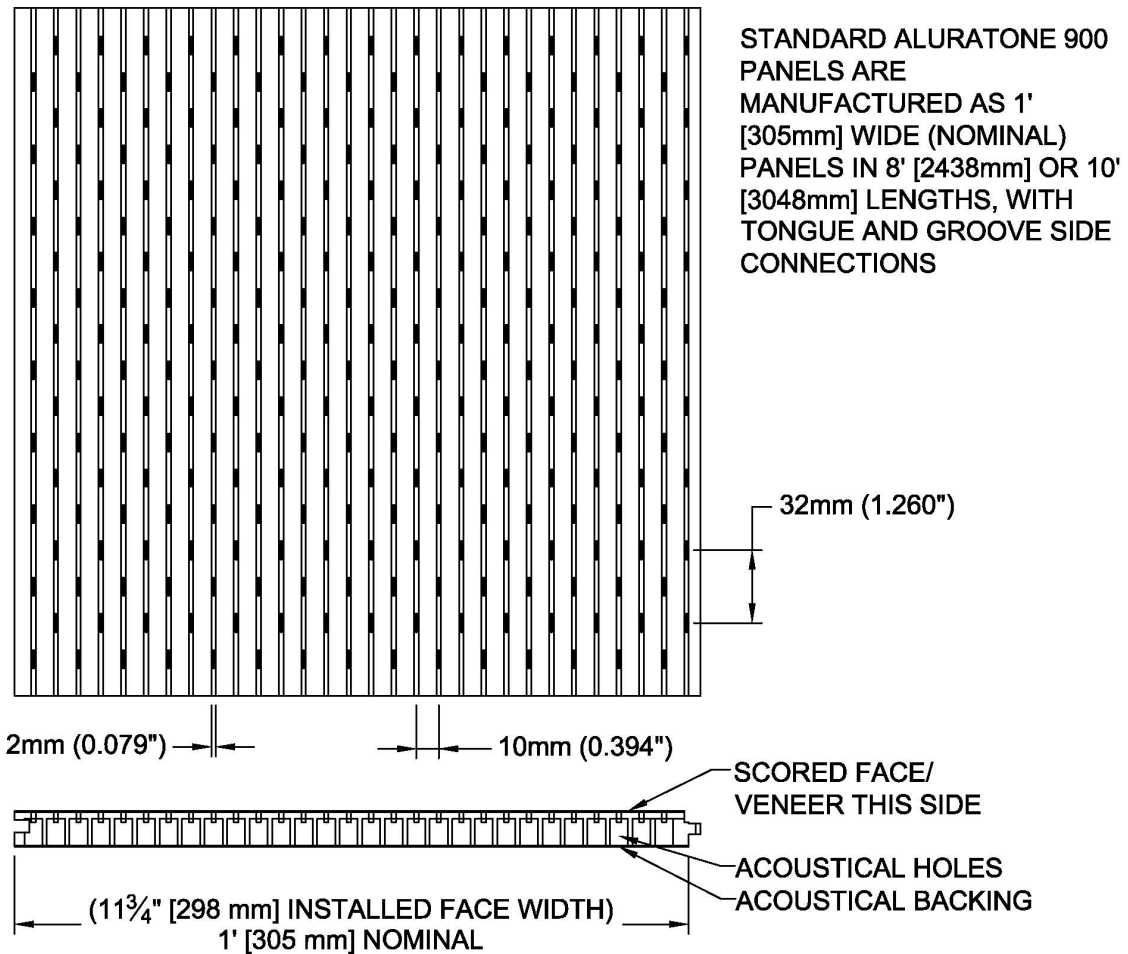
Wall Preparation Shown (For Aluratone T&G panels running vertically)

Step 1: Wall or Ceiling Preparation

For typical wall installations, level and install furring strips across wall studs as shown above. If acoustical insulation is required, install prior to attaching panels.

For ceiling installations, contractor-supplied heavy duty 15/16" [24mm] T-Grid mains may be installed on maximum 2' [610mm] centers.

Rulon Aluratone 800 & 900 Series Tongue and Groove Wood Walls and Ceilings Installation Guide



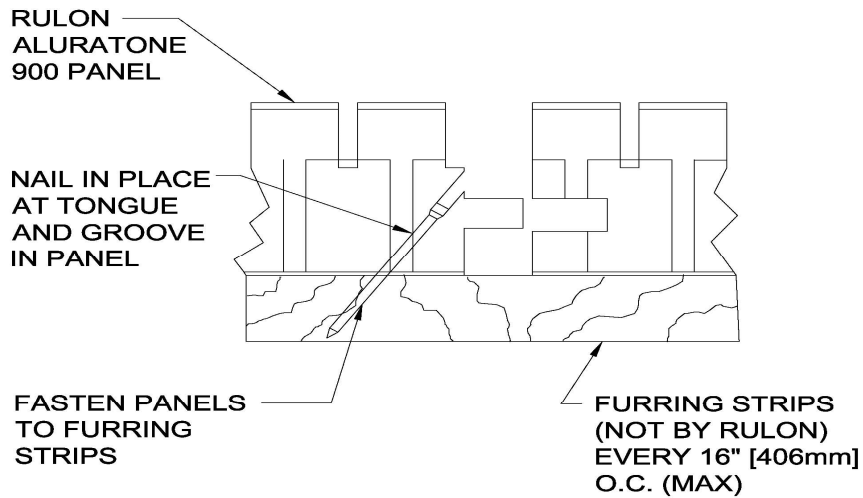
Aluratone 900 Panel Shown

(Refer to shops drawings for other Aluratone 800 Series Micro Groove or Aluratone 900 Series Panel Details)

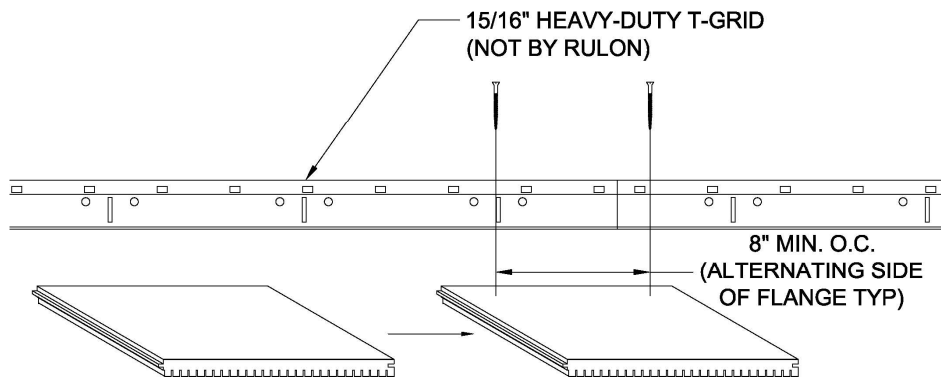
Important Note: Installed Dimension

As detailed above, the installed dimension of a 1' [305 mm] Nominal Width Panel is 11³/₄" [298 mm] for typical Aluratone 900 Tongue and Groove. If panels were manufactured to a different size or pattern than this, please consult Rulon submittal documents for the installed dimension.

Rulon Aluratone 800 & 900 Series Tongue and Groove Wood Walls and Ceilings Installation Guide



Walls Installation



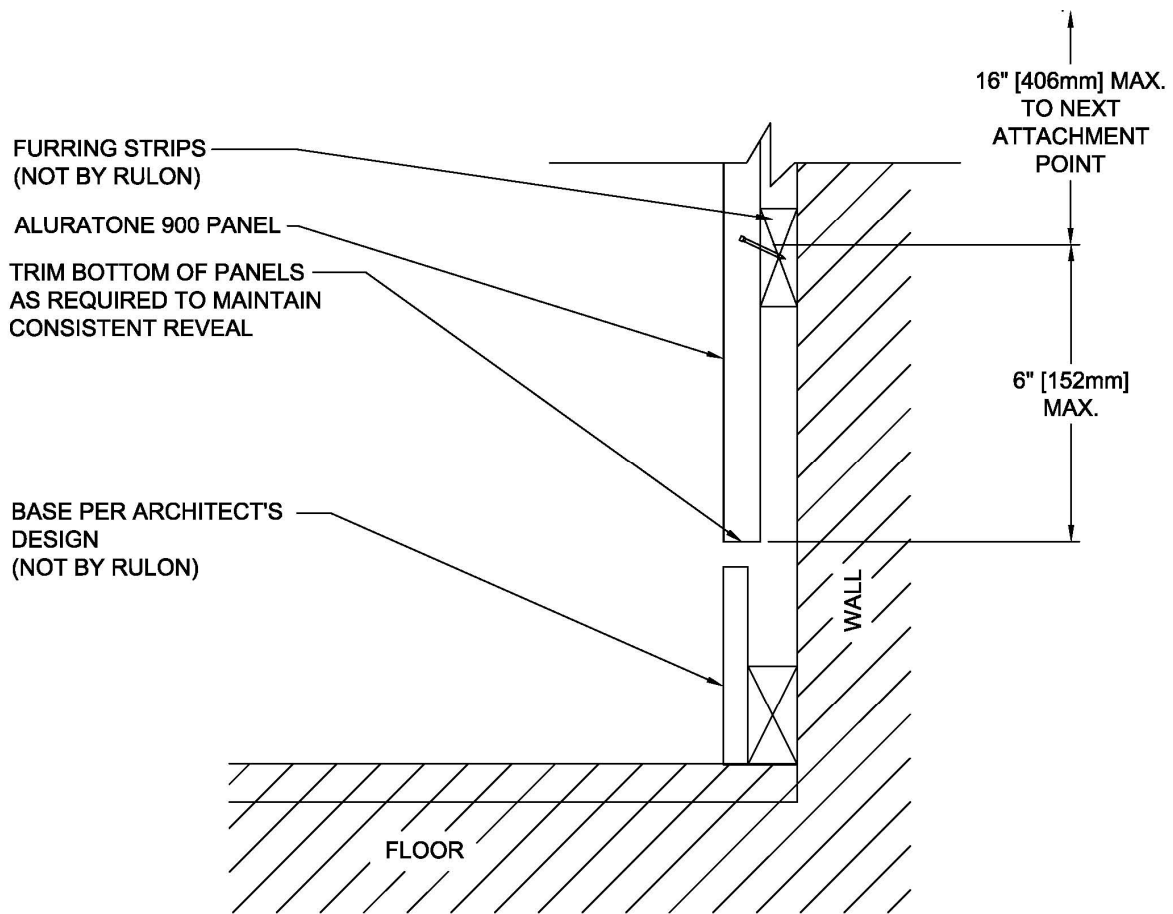
Ceilings Installation

Step 2: Installing Panels

For wall installations, fasten panels to furring with appropriate nails through tongue. The initial panel may need to be face-nailed close to groove side, filled, and touched-up in the field.

Ceilings should be installed with 2 screws through each main-T, fully engaged and avoiding perforations in back of panel. Panels may not overhang the first or final main-T by more than 6" [152mm].

Rulon Aluratone 800 & 900 Series Tongue and Groove Wood Walls and Ceilings Installation Guide



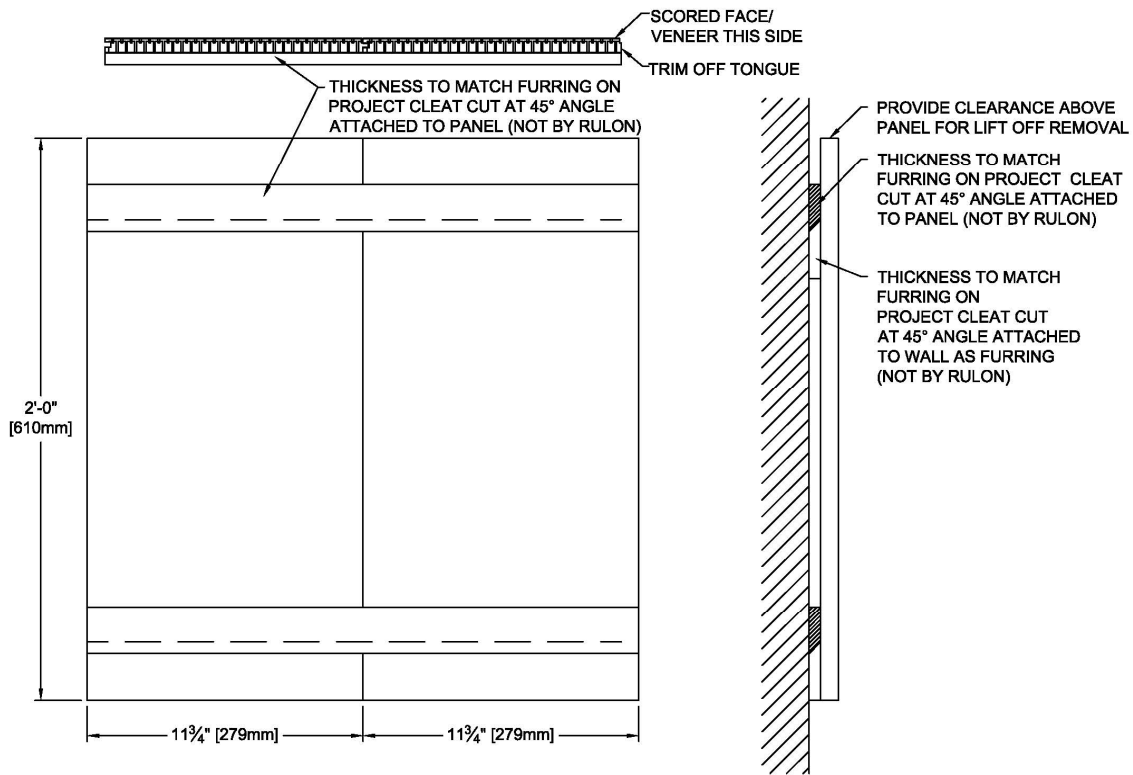
Step 3: Bases and Borders

Panels are to be field-trimmed to fit site conditions. Trimming should be done with the appropriate saw, with painters tape on the face veneer side to prevent splintering. Penetration cuts require a saber/jig saw, long-dimension cuts/rips and cross cuts require a track saw such as those listed in tools section. Cut panels should be touched up with Rulon-supplied finish. Take care to prevent damage to face grooves in handling panels

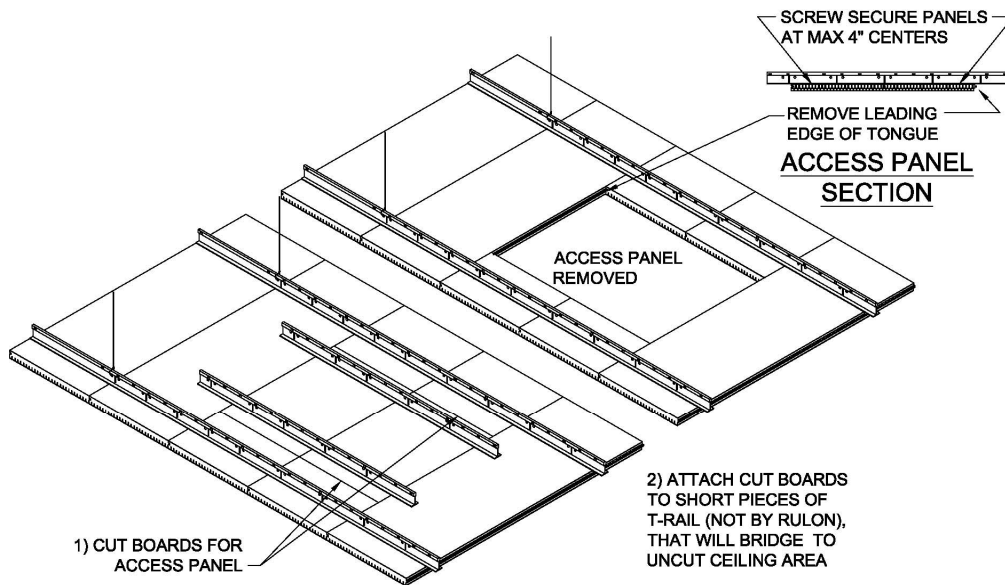
Step 4: Cleanup

1. Clean all wood panels and borders free of dirt, dust, grease, oils, and fingerprints. Routine cleaning is best accomplished with a soft, lint-free cloth lightly dampened with water or an inert household dust attractant. Allowing airborne dust, which is somewhat abrasive, to build up will tend to dull a finish over time. Refer to the Rulon Care and Maintenance document for further instructions.
2. Remove and replace all work that cannot be successfully cleaned or repaired.

Rulon Aluratone 800 & 900 Series Tongue and Groove Wood Walls and Ceilings Installation Guide



Optional: Wall Access Panel Detail



Optional: Ceiling Access Panel Detail –

Note: Do not exceed 2 (1' Nominal) panels wide x 20" long (each)