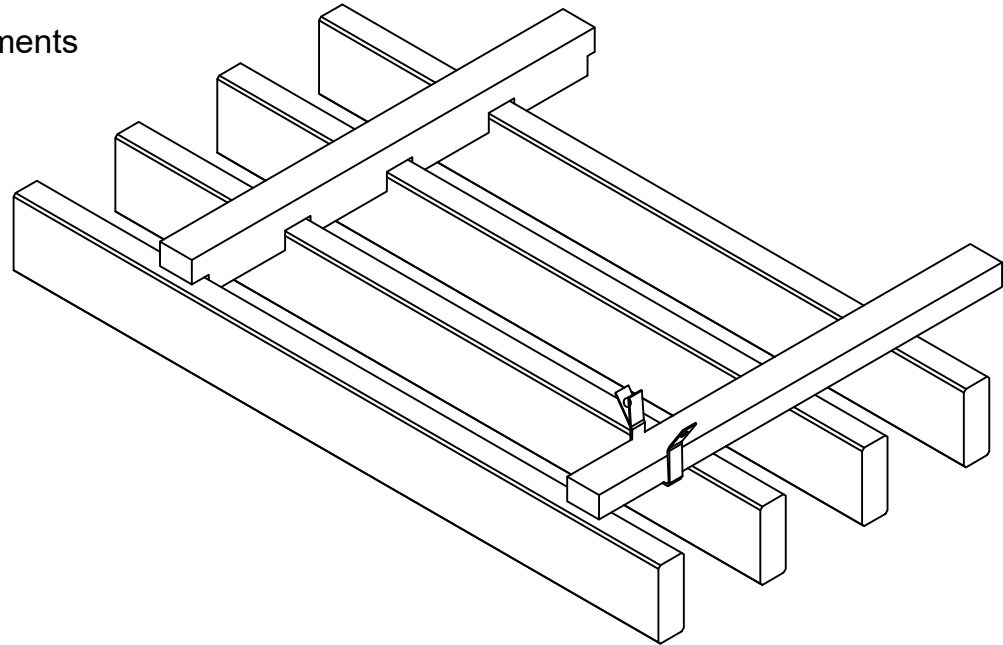


<u>DRAWING #</u>	<u>TITLE</u>
DG-01	Dura Grille Woodbacker Clip Suspension
DG-02	Dura Grille Perimeter Detail - End
DG-03	Dura Grille Perimeter Detail - Side
DG-04	Dura Grille Sprinkler Detail
DG-05	Dura Grille Reveal Detail - Solid
DG-06	Dura Grille Reveal Detail - Veneer
DG-07	Dura Grille Attachment Requirements
DG-08	Dura Grille Trimming Detail



RULON INTERNATIONAL
 2000 Ring Way
 St. Augustine, FL 32092

(904) 584-1400
 info @ rulonco.com

www.rulonco.com

PROJECT:

TITLE: **Dura Grille Index**

ISSUE DATE:

REVISION DATE:
DEC/10/2025

DRAWN BY:

CAP

CHECKED BY:

TDA

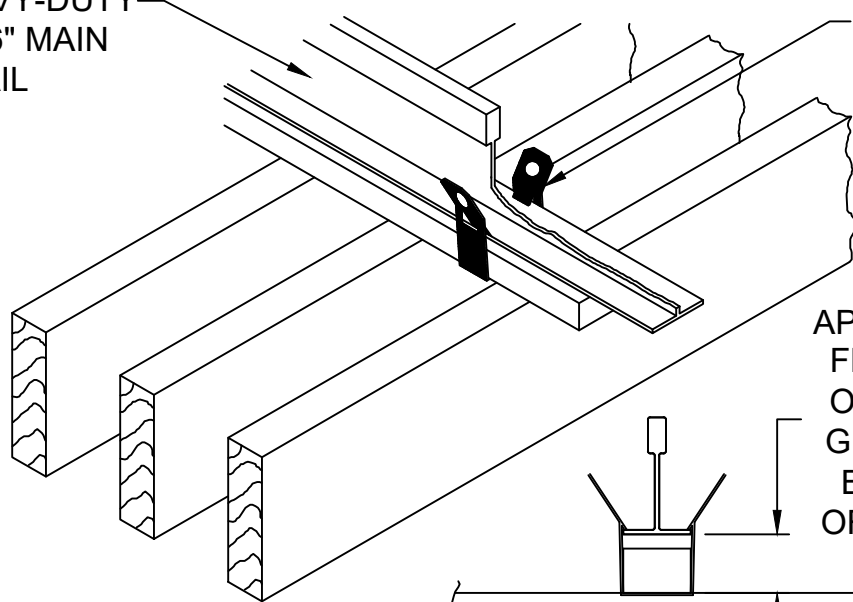
PROJECT NUMBER:

DRAWING NUMBER:

DG-INDEX

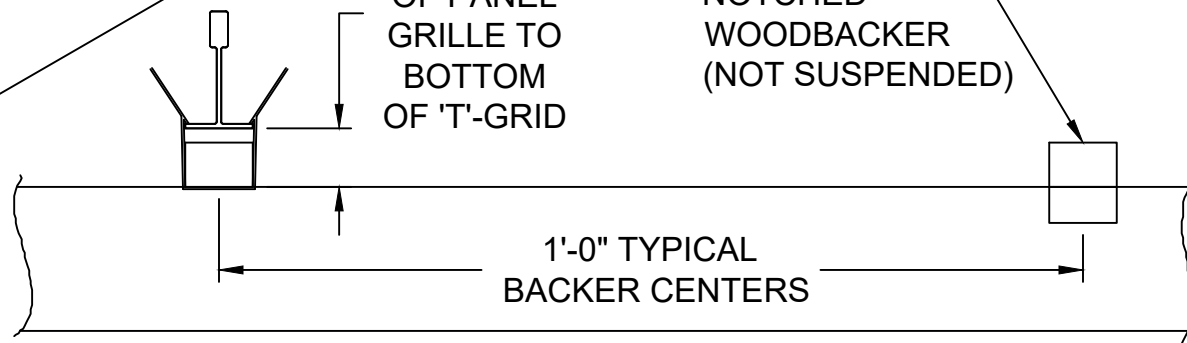
HEAVY-DUTY
15/16" MAIN
T-RAIL

RULON
WOODBACER
CLIP



APPROX. 7/8"
FROM TOP
OF PANEL
GRILLE TO
BOTTOM
OF 'T'-GRID

NOTCHED
WOODBACER
(NOT SUSPENDED)



1'-0" TYPICAL
BACKER CENTERS



RULON INTERNATIONAL
2000 Ring Way
St. Augustine, FL 32092

(904) 584-1400
info @ rulonco.com

www.rulonco.com

PROJECT:

TITLE: **Dura Grille Woodbaker Clip
Suspension**

ISSUE DATE:

REVISION DATE:
DEC/10/2025

DRAWN BY:

CAP

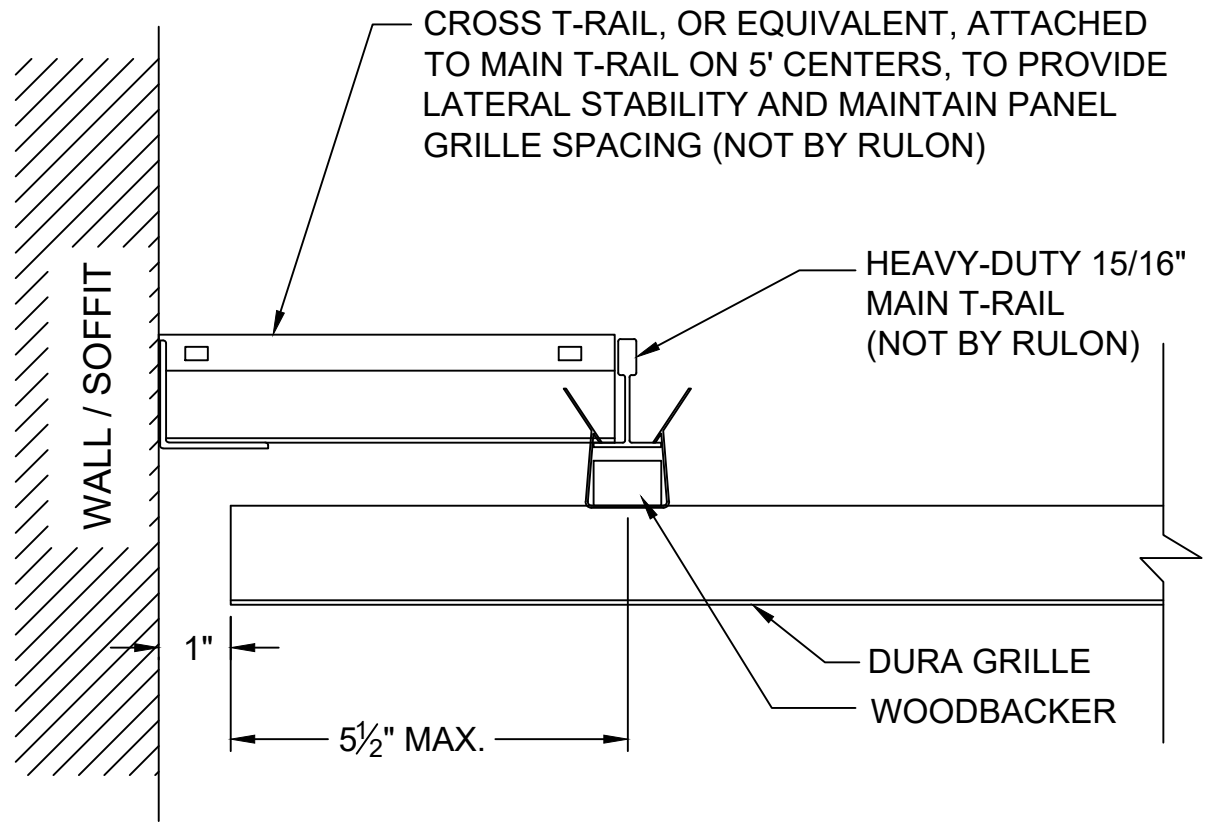
CHECKED BY:

TDA

PROJECT NUMBER:

DRAWING NUMBER:

DG-01



RULON INTERNATIONAL
 2000 Ring Way
 St. Augustine, FL 32092

(904) 584-1400
 info @ rulonco.com

www.rulonco.com

PROJECT:

TITLE: Dura Grille Perimeter Detail - End

ISSUE DATE:

REVISION DATE:
 DEC/10/2025

DRAWN BY:

CAP

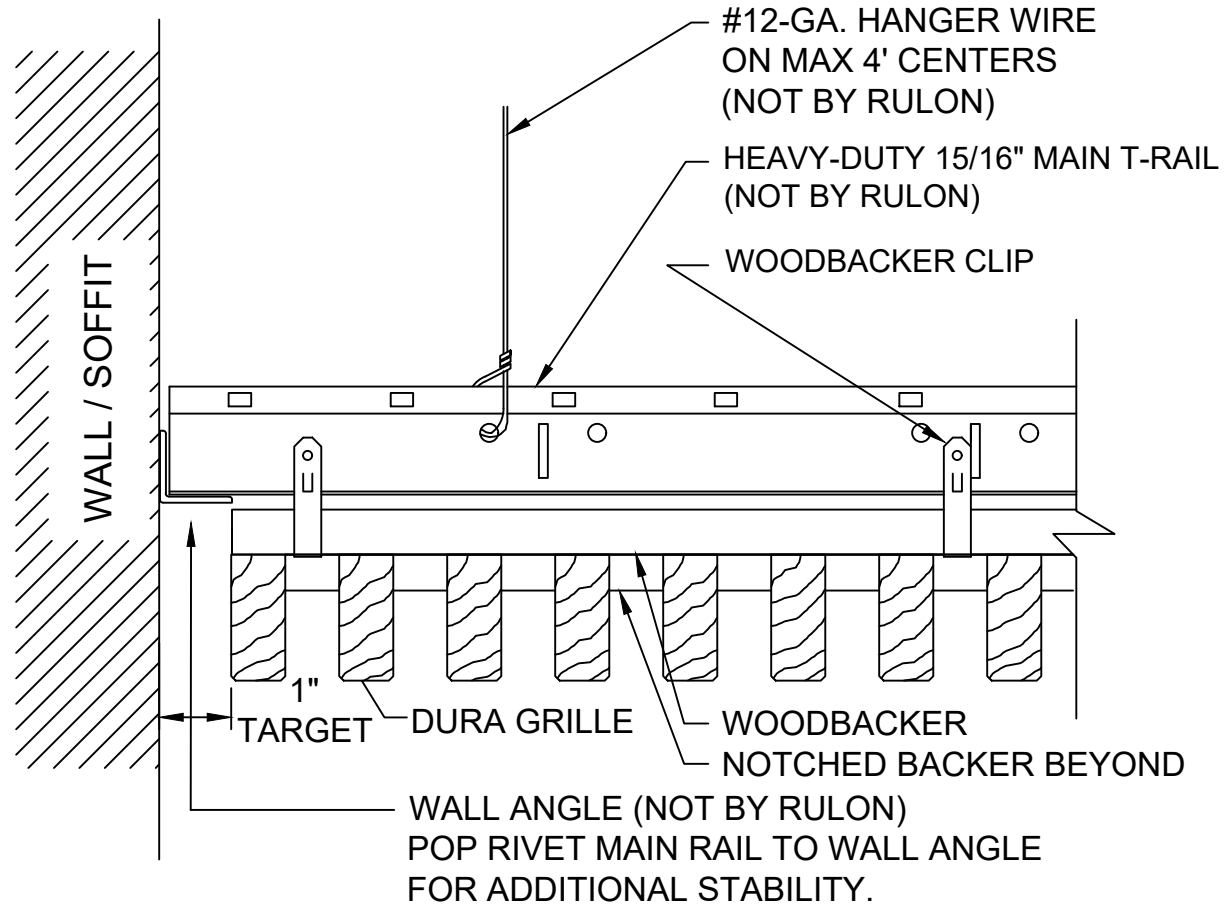
CHECKED BY:

TDA

PROJECT NUMBER:

DRAWING NUMBER:

DG-02



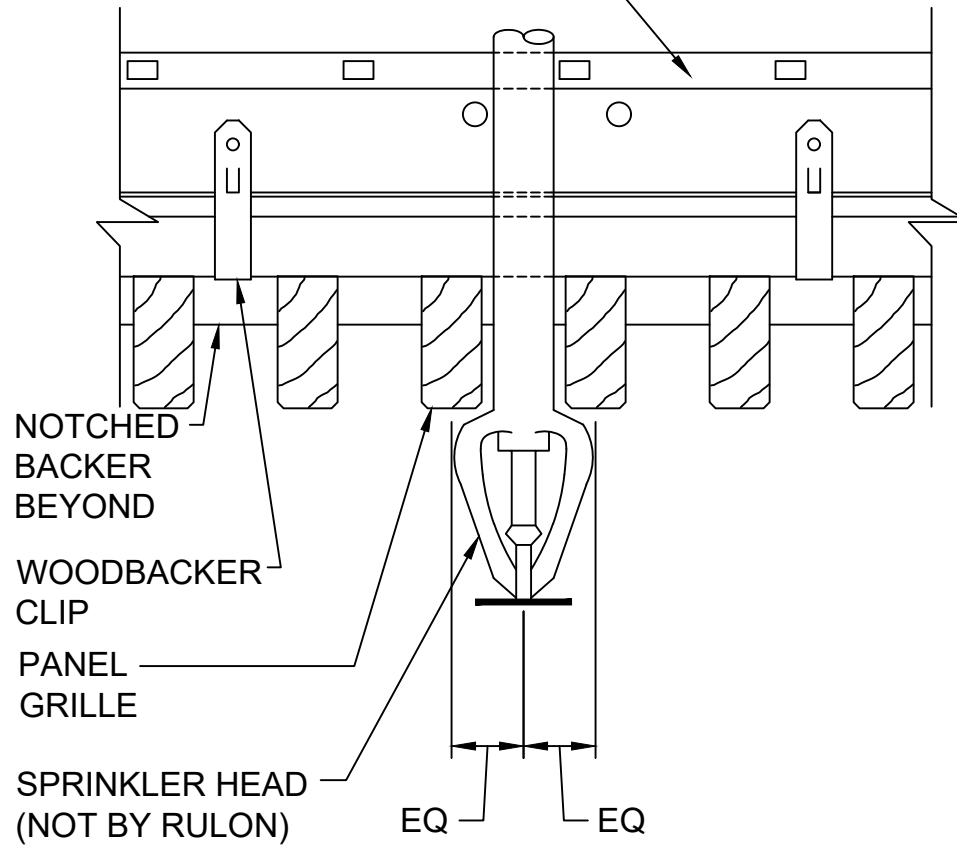
RULON INTERNATIONAL
 2000 Ring Way
 St. Augustine, FL 32092

 (904) 584-1400
 info @ rulonco.com

 www.rulonco.com

PROJECT:	ISSUE DATE:	DRAWN BY:	PROJECT NUMBER:
TITLE: Dura Grille Perimeter Detail - Side	REVISION DATE:	CHECKED BY:	DRAWING NUMBER:
	DEC/10/2025	TDA	DG-03

HEAVY-DUTY 15/16" MAIN T-RAIL
(NOT BY RULON)



RULON INTERNATIONAL
2000 Ring Way
St. Augustine, FL 32092

(904) 584-1400
info @ rulonco.com

www.rulonco.com

PROJECT:

TITLE: **Dura Grille Sprinkler Detail**

ISSUE DATE:

REVISION DATE:
DEC/10/2025

DRAWN BY:

CAP

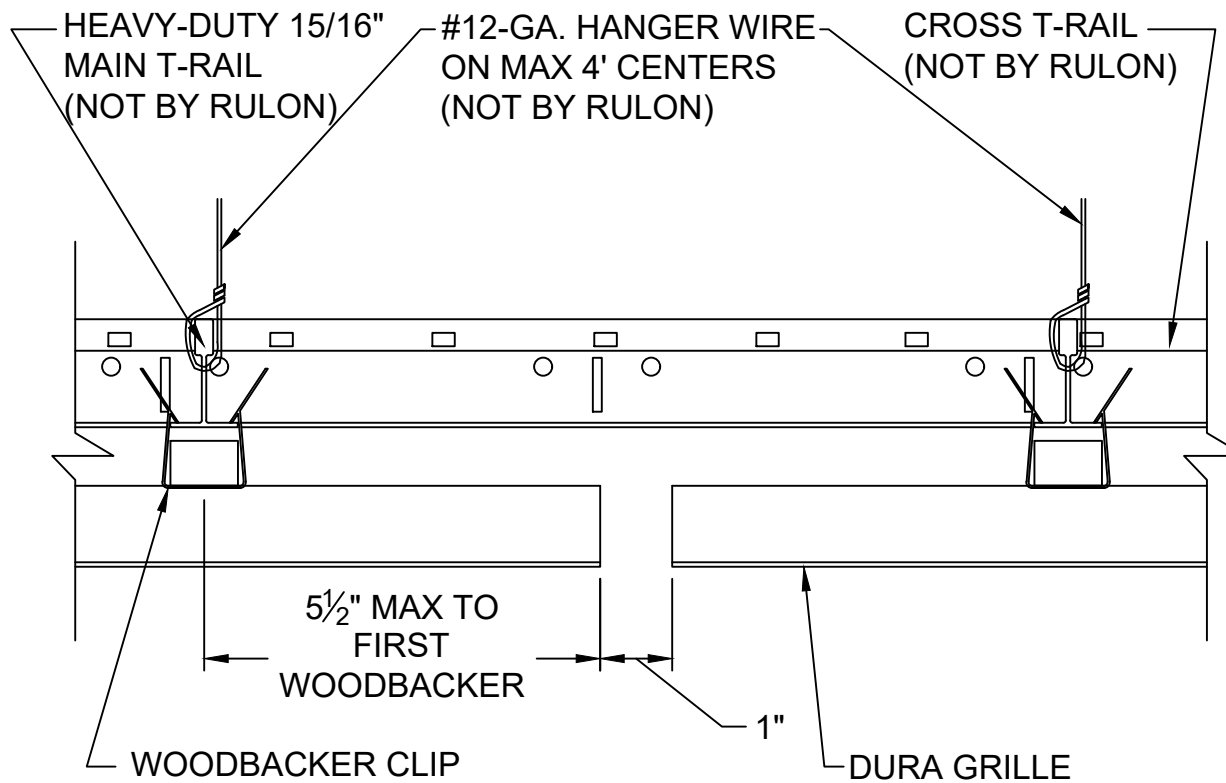
CHECKED BY:

TDA

PROJECT NUMBER:

DRAWING NUMBER:

DG-04



RULON INTERNATIONAL
 2000 Ring Way
 St. Augustine, FL 32092

(904) 584-1400
 info @ rulonco.com

www.rulonco.com

PROJECT:

TITLE: Dura Grille Reveal Detail - Solid

ISSUE DATE:

REVISION DATE:
 DEC/10/2025

DRAWN BY:

CAP

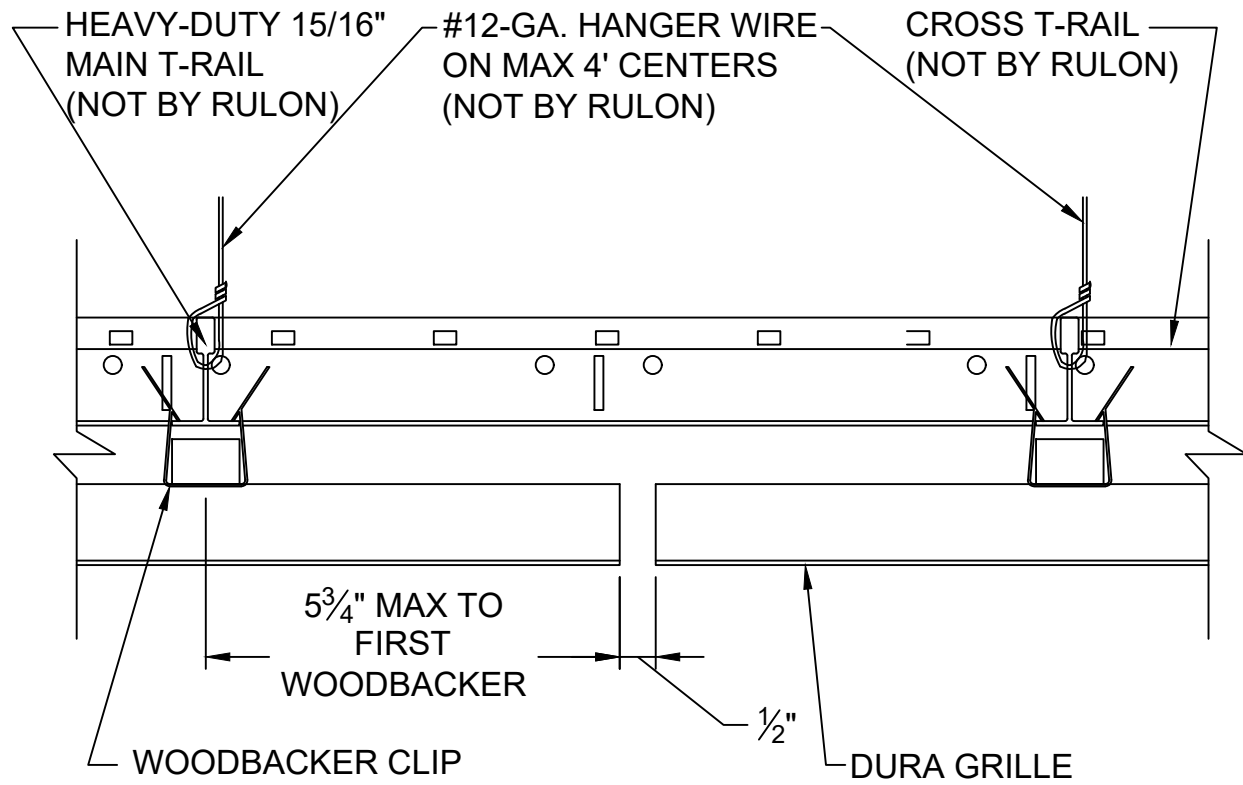
CHECKED BY:

TDA

PROJECT NUMBER:

DRAWING NUMBER:

DG-05



RULON INTERNATIONAL
 2000 Ring Way
 St. Augustine, FL 32092

(904) 584-1400
 info @ rulonco.com

www.rulonco.com

PROJECT:

TITLE: Dura Grille Reveal Detail - Veneer

ISSUE DATE:

REVISION DATE:
 DEC/10/2025

DRAWN BY:

CAP

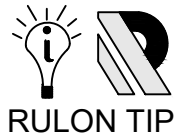
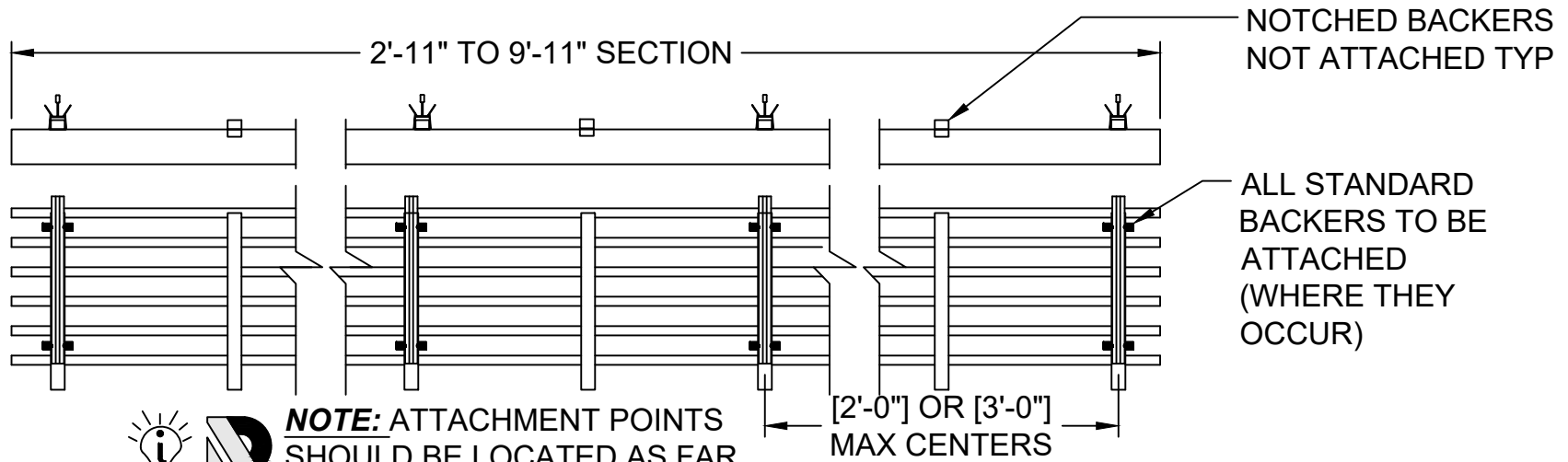
CHECKED BY:

TDA

PROJECT NUMBER:

DRAWING NUMBER:


DG-06



NOTE: ATTACHMENT POINTS SHOULD BE LOCATED AS FAR APART AS POSSIBLE WITHIN LIMITS TO KEEP WEIGHT DISTRIBUTED EVENLY

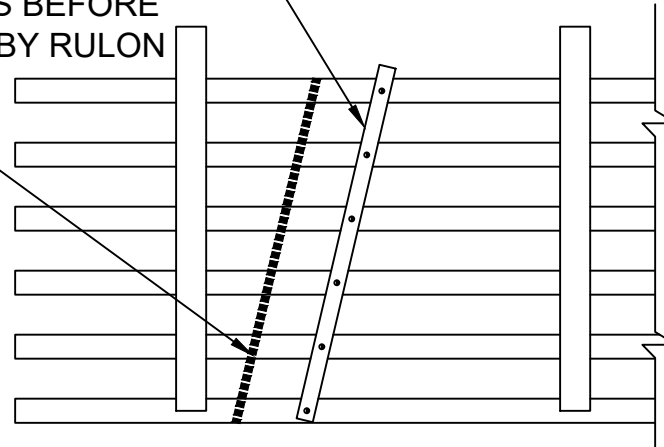
CLIPS SHOULD NEVER BE MORE THAN 3' APART

- CLIPS NEEDED:**
 2'-11" + 3'-11" PANELS - 4 EA.
 4'-11" PANELS - 6 EA.
 5'-11" TO 7'-11" PANELS - 8 EA.
 8'-11" PANELS - 10 EA.
 9'-11" PANELS - 12 EA.

 <p>RULON INTERNATIONAL 2000 Ring Way St. Augustine, FL 32092 (904) 584-1400 info @ rulonco.com www.rulonco.com</p>	PROJECT:	ISSUE DATE:	DRAWN BY: CAP	PROJECT NUMBER:
	TITLE: Dura Grille Attachment Requirements	REVISION DATE: DEC/10/2025	CHECKED BY: TDA	DRAWING NUMBER: DG-07

ATTACH WOOD STRIP OR
SHORT PIECE OF T-RAIL
TO BACK OF PANEL WITH
WOOD SCREWS BEFORE
CUTTING. NOT BY RULON

TRIM LINE -
TOUCH-UP ALL
FIELD-CUT
ENDS WITH
SUPPLIED
TOUCH-UP
FINISH



NOTE:
WHEN CUTTING DURA GRILLES,
BLADES SHOULD NOT EXTEND
BEYOND 6" UNSUPPORTED



RULON INTERNATIONAL
2000 Ring Way
St. Augustine, FL 32092

(904) 584-1400
info @ rulonco.com

www.rulonco.com

PROJECT:

TITLE: **Dura Grille Trimming Detail**

ISSUE DATE:

REVISION DATE:
DEC/10/2025

DRAWN BY:

CAP

CHECKED BY:

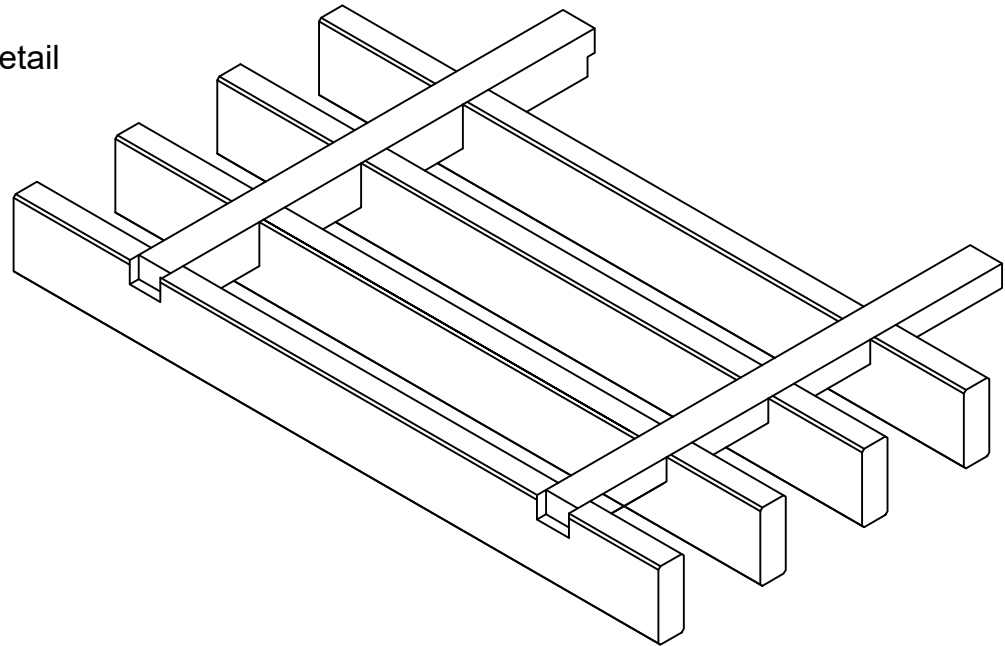
TDA

PROJECT NUMBER:

DRAWING NUMBER:

DG-08

<u>DRAWING #</u>	<u>TITLE</u>
DG-N-01	Dura Grille Notched Direct Screw Suspension from Above
DG-N-02	Dura Grille Notched Direct Screw Perimeter Detail - End
DG-N-03	Dura Grille Notched Direct Screw Perimeter Detail - Side
DG-N-04	Dura Grille Notched Direct Screw Sprinkler Detail
DG-N-05	Dura Grille Notched Direct Screw Reveal Detail - Solid
DG-N-06	Dura Grille Notched Direct Screw Reveal Detail - Veneer
DG-N-07	Dura Grille Notched Direct Screw Attachment Points
DG-N-08	Dura Grille Notched Trimming Detail



RULON INTERNATIONAL
2000 Ring Way
St. Augustine, FL 32092

(904) 584-1400
info @ rulonco.com

www.rulonco.com

PROJECT:

TITLE: **Dura Grille Notched Index**

ISSUE DATE:

REVISION DATE:
DEC/10/2025

DRAWN BY:

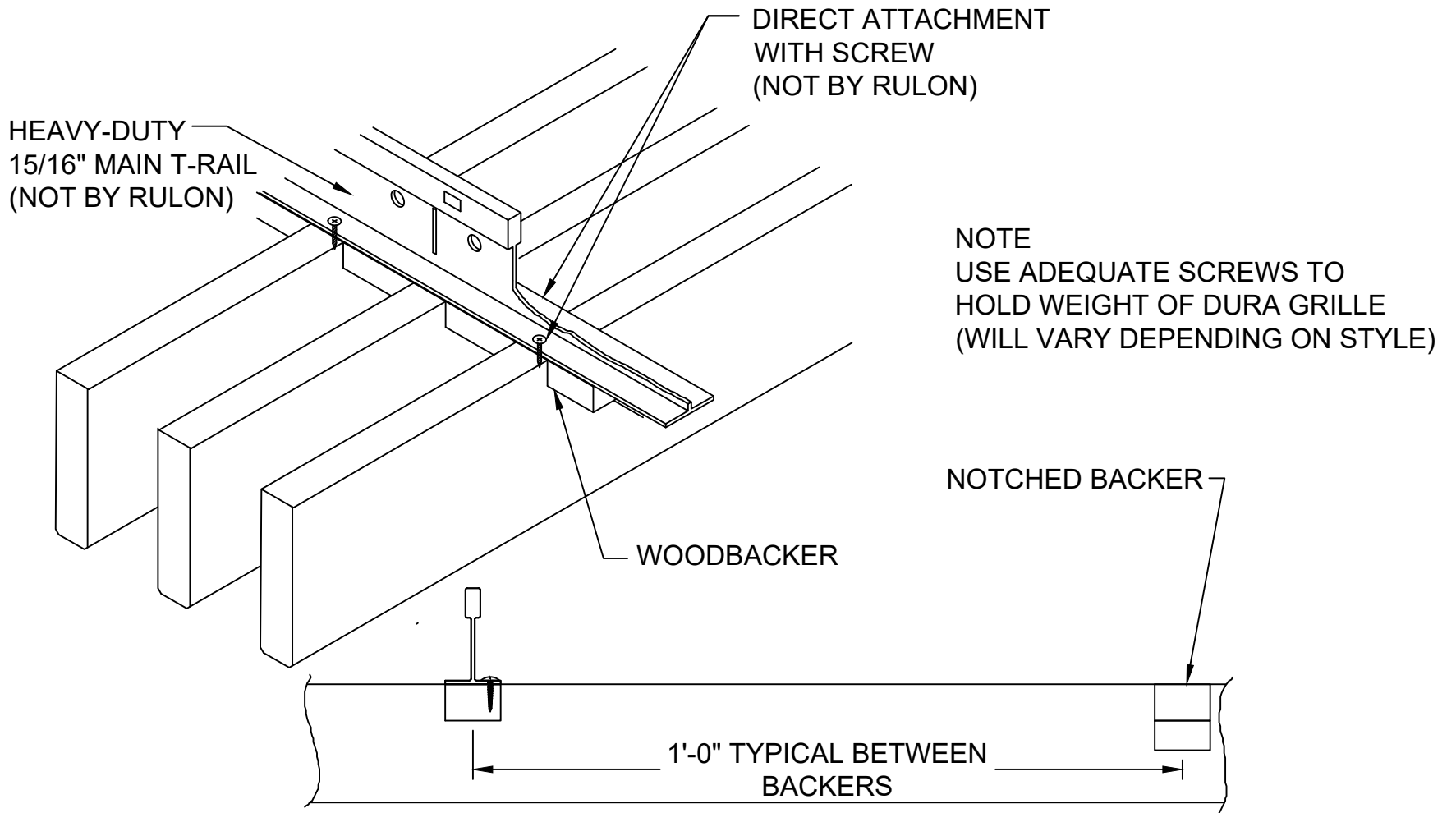
CAP

CHECKED BY:

TDA

PROJECT NUMBER:

DRAWING NUMBER:
DG-INDEX-N



RULON INTERNATIONAL
2000 Ring Way
St. Augustine, FL 32092

(904) 584-1400
info @ rulonco.com

www.rulonco.com

PROJECT:

TITLE: **Dura Grille Notched Direct Screw
Suspension from Above**

ISSUE DATE:

REVISION DATE:
DEC/10/2025

DRAWN BY:

CAP

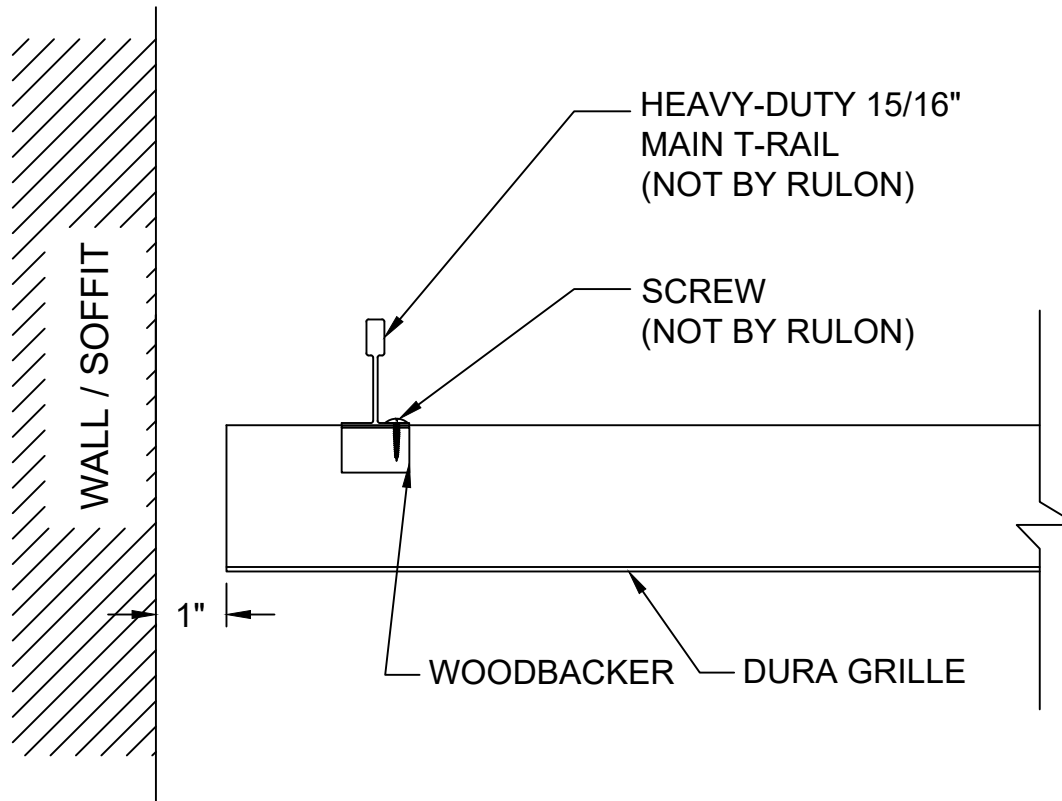
CHECKED BY:

TDA

PROJECT NUMBER:

DRAWING NUMBER:

DG-N-01



RULON INTERNATIONAL
2000 Ring Way
St. Augustine, FL 32092

(904) 584-1400
info @ rulonco.com

www.rulonco.com

PROJECT:

TITLE: **Dura Grille Notched Direct Screw
Perimeter End**

ISSUE DATE:

REVISION DATE:
DEC/10/2025

DRAWN BY:

CAP

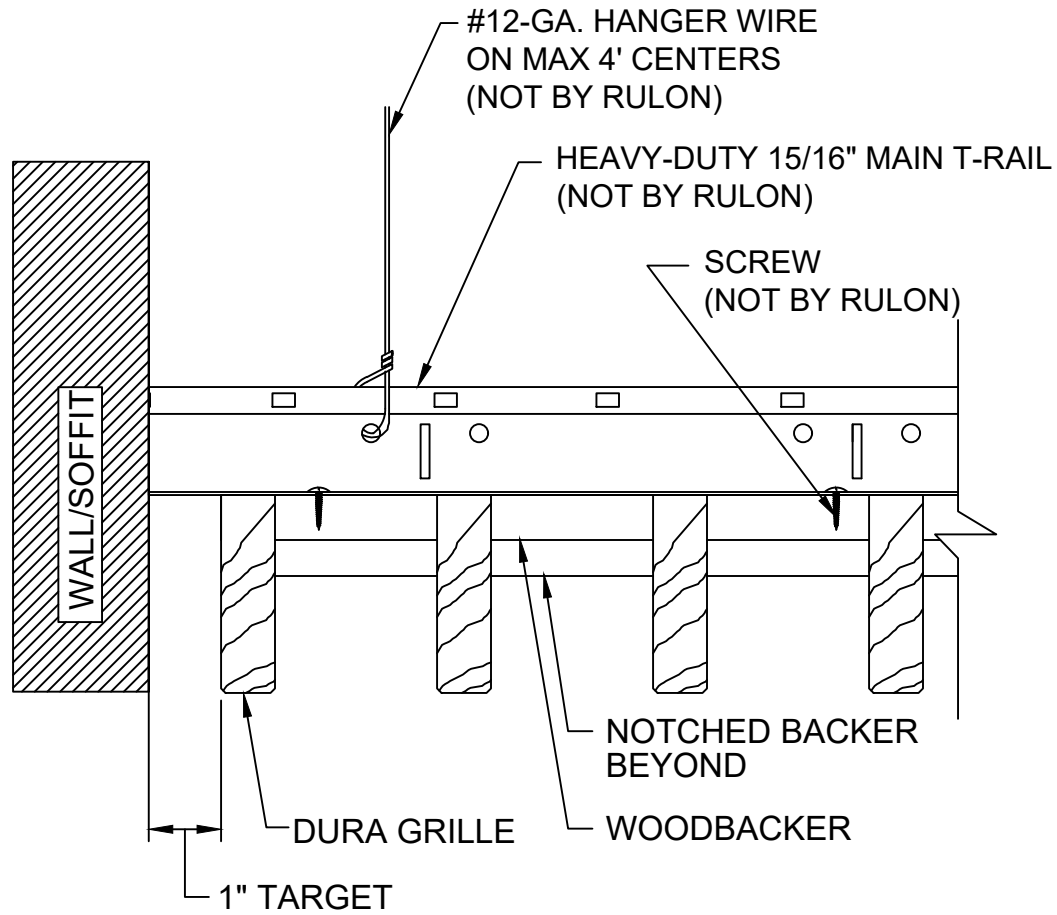
CHECKED BY:

TDA

PROJECT NUMBER:

DRAWING NUMBER:

DG-N-02



RULON INTERNATIONAL
2000 Ring Way
St. Augustine, FL 32092

(904) 584-1400
info @ rulonco.com

www.rulonco.com

PROJECT:

TITLE: **Dura Grille Notched Direct Screw
Perimeter Side**

ISSUE DATE:

REVISION DATE:
DEC/10/2025

DRAWN BY:

CAP

CHECKED BY:

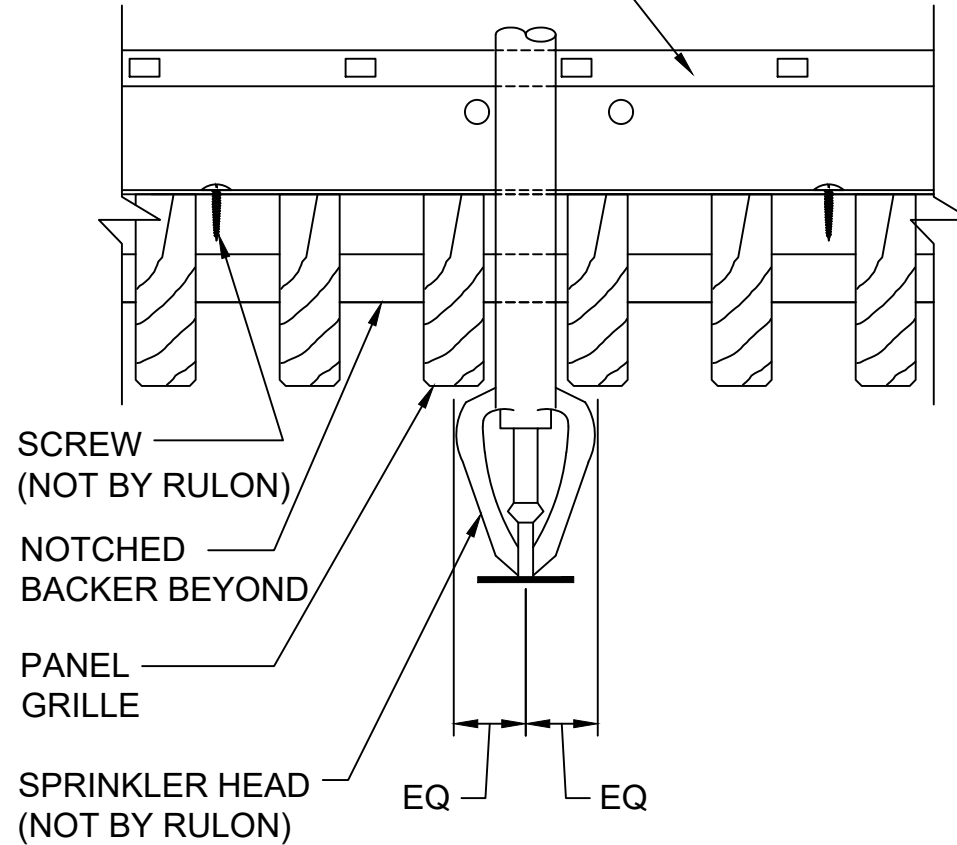
TDA

PROJECT NUMBER:

DRAWING NUMBER:

DG-N-03

HEAVY-DUTY 15/16" MAIN T-RAIL
(NOT BY RULON)



SCREW
(NOT BY RULON)

NOTCHED
BACKER BEYOND

PANEL
GRILLE

SPRINKLER HEAD
(NOT BY RULON)

EQ

EQ



RULON INTERNATIONAL
2000 Ring Way
St. Augustine, FL 32092

(904) 584-1400
info @ rulonco.com

www.rulonco.com

PROJECT:

TITLE: **Dura Grille Notched Direct Screw
Sprinkler Detail**

ISSUE DATE:

REVISION DATE:
DEC/10/2025

DRAWN BY:

CAP

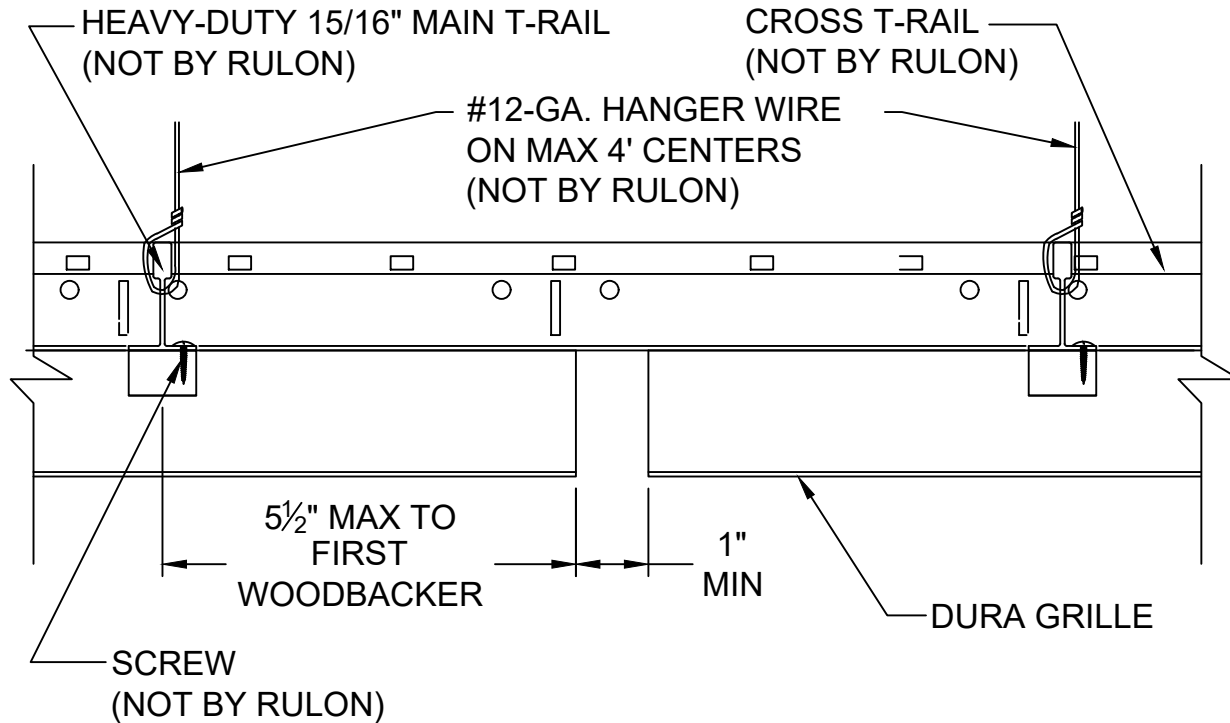
CHECKED BY:

TDA

PROJECT NUMBER:

DRAWING NUMBER:

DG-N-04



RULON INTERNATIONAL
2000 Ring Way
St. Augustine, FL 32092

(904) 584-1400
info @ rulonco.com

www.rulonco.com

PROJECT:

TITLE: Dura Grille Notched Direct Screw
Reveal Detail - Solid

ISSUE DATE:

REVISION DATE:
DEC/10/2025

DRAWN BY:

CAP

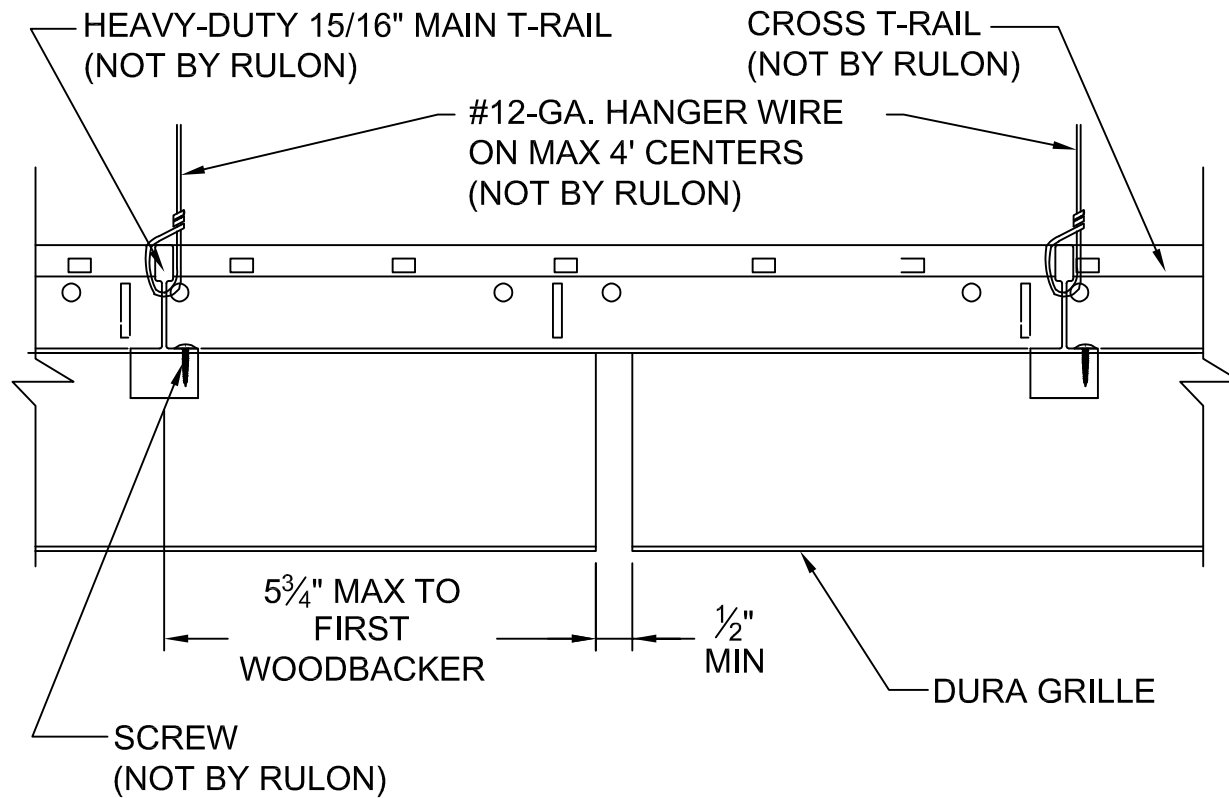
CHECKED BY:

TDA

PROJECT NUMBER:

DRAWING NUMBER:

DG-N-05



RULON INTERNATIONAL
2000 Ring Way
St. Augustine, FL 32092

(904) 584-1400
info @ rulonco.com

www.rulonco.com

PROJECT:

TITLE:

Dura Grille Notched Direct Screw
Reveal Detail - Veneer

ISSUE DATE:

REVISION DATE:
DEC/10/2025

DRAWN BY:

CAP

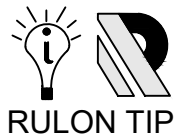
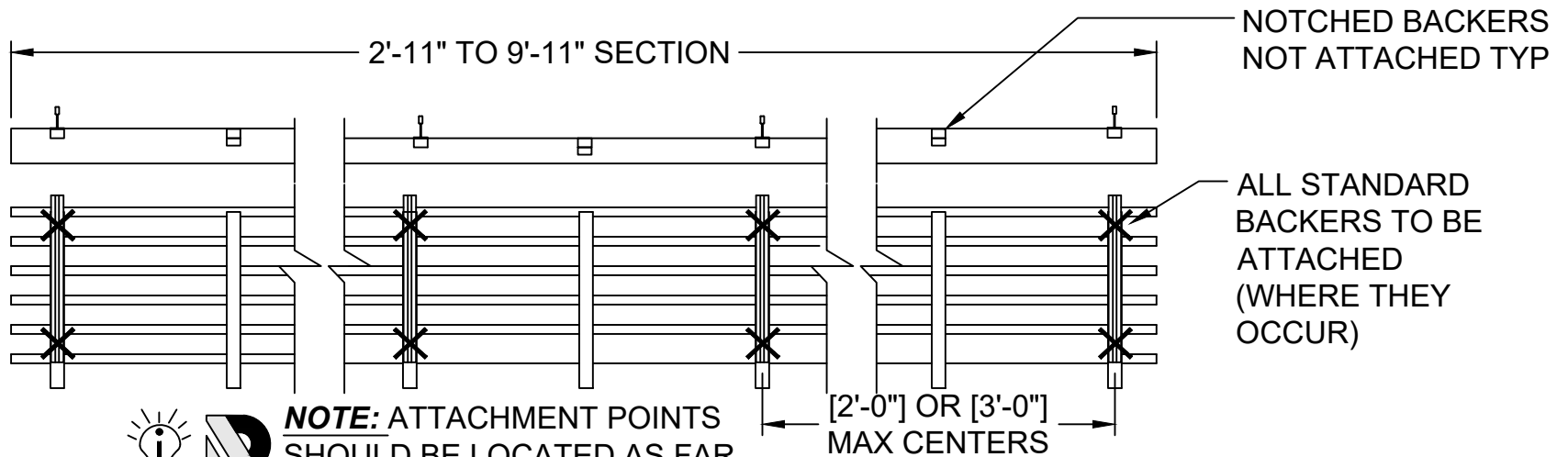
CHECKED BY:

TDA

PROJECT NUMBER:

DRAWING NUMBER:

DG-N-06



RULON TIP

NOTE: ATTACHMENT POINTS SHOULD BE LOCATED AS FAR APART AS POSSIBLE WITHIN LIMITS TO KEEP WEIGHT DISTRIBUTED EVENLY

[2'-0"] OR [3'-0"]
MAX CENTERS

SCREWS SHOULD NEVER BE MORE THAN 3' APART

SCREWS NEEDED:


2'-11" + 3'-11" PANELS - 4 EA.

4'-11" PANELS - 6 EA.

5'-11" TO 7'-11" PANELS - 8 EA.

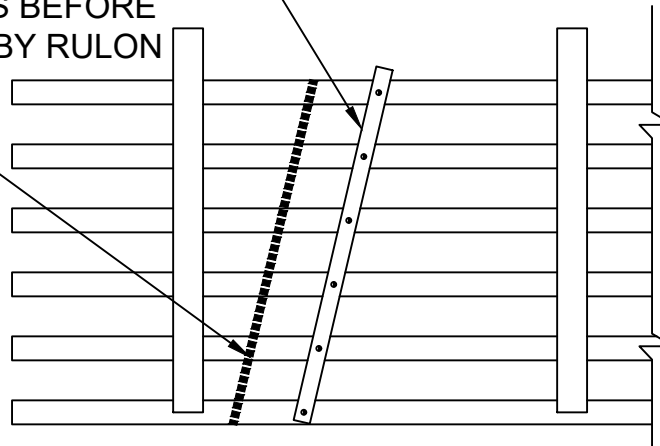
8'-11" PANELS - 10 EA.

9'-11" PANELS - 12 EA.

 <p>RULON INTERNATIONAL 2000 Ring Way St. Augustine, FL 32092 (904) 584-1400 info @ rulonco.com www.rulonco.com</p>	PROJECT:	ISSUE DATE:	DRAWN BY: CAP	PROJECT NUMBER:
	TITLE: Dura Grille Notched Direct Screw Attachment Points	REVISION DATE: DEC/10/2025	CHECKED BY: TDA	DRAWING NUMBER: DG-N-07

ATTACH WOOD STRIP OR
SHORT PIECE OF T-RAIL
TO BACK OF PANEL WITH
WOOD SCREWS BEFORE
CUTTING. NOT BY RULON

TRIM LINE -
TOUCH-UP ALL
FIELD-CUT
ENDS WITH
SUPPLIED
TOUCH-UP
FINISH



NOTE:
WHEN CUTTING DURA GRILLES,
BLADES SHOULD NOT EXTEND
BEYOND 6" UNSUPPORTED



RULON INTERNATIONAL
2000 Ring Way
St. Augustine, FL 32092

(904) 584-1400
info @ rulonco.com

www.rulonco.com

PROJECT:

TITLE: **Dura Grille Notched Trimming
Detail**

ISSUE DATE:

REVISION DATE:
DEC/10/2025

DRAWN BY:

CAP

CHECKED BY:

TDA

PROJECT NUMBER:

DRAWING NUMBER:

DG-N-08