



RULON
INTERNATIONAL

Dura Grille Walls Installation Guide

Rulon Dura Grille Wood Walls Installation Guide

Receipt and Storage:

- a. All material shall be delivered to the project site in the original, labeled, unopened packages. Keep packages of components unopened until it is time to acclimate to the building conditions
- b. Material shall be stored flat and level in a fully enclosed space. **DO NOT Store Rulon products in direct sunlight.** Seventy-two hours before beginning ceiling installation, wood strips must be moved into the room where the HVAC system is operating and the packaging shall be opened. This is to allow the boards to adjust to the room environment. Wood strips are to be stored off the floor.
- c. Care in handling must be exercised to avoid damage.

Before You Begin Installation:

- a. Ensure that all necessary tools are available (see below)
- b. Check Wall components to ensure all items required are at hand (see Page 2)
- c. Review this guide in its entirety. If you have any questions, call Rulon Company before you start the installation
- d. Installation shall be done only when the temperature and humidity closely approximate the interior conditions that will exist when the building is occupied. The heating and cooling systems shall be operating before, during, and after installation, with the humidity of the interior spaces maintained between 25% and 55%, temperature between 60 to 90 degrees F.
- e. It is important that area have proper ventilation, especially in high moisture areas. There shall be no excessive buildup of heat in the space.
- f. Prior to the start of installation, all exterior windows and doors are to be in place, glazed, and weather-stripped. The roof is to be watertight, and all wet trades' work is to be completed, and thoroughly dry.
- g. Mechanical, electrical, and other utility service installations above the ceiling plane shall have been completed. No materials should rest or wrap around, the ceiling suspension components or connecting hangers.

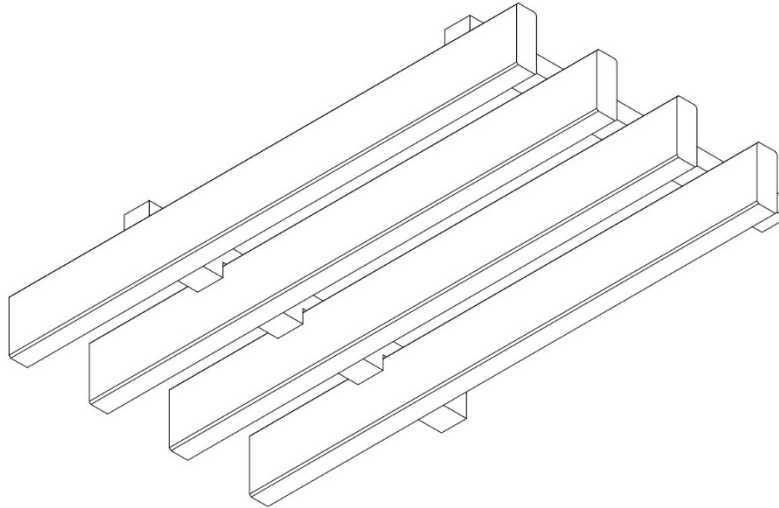
If You Need Further Assistance:

- If you have any questions, or if you encounter a situation not covered by this installation guide, contact the Rulon Technical Department.
Phone: 1-800-22RULON (1-800-227-8566), 904-584-1400

Tools and Equipment:

- Standard leveling devices
- Saber saw
- Miter saw (see specifications on page 5)
- Nail gun or screw gun

Rulon Dura Grille Wood Walls Installation Guide



Standard Dura Grille Shown

Ceiling Components:

Supplied by Rulon:

- Dura Grilles
- Trim (when specified)
- Touch-up finish

Supplied by Others:

- Furring strips and hardware
- Acoustical Blanket (when specified)

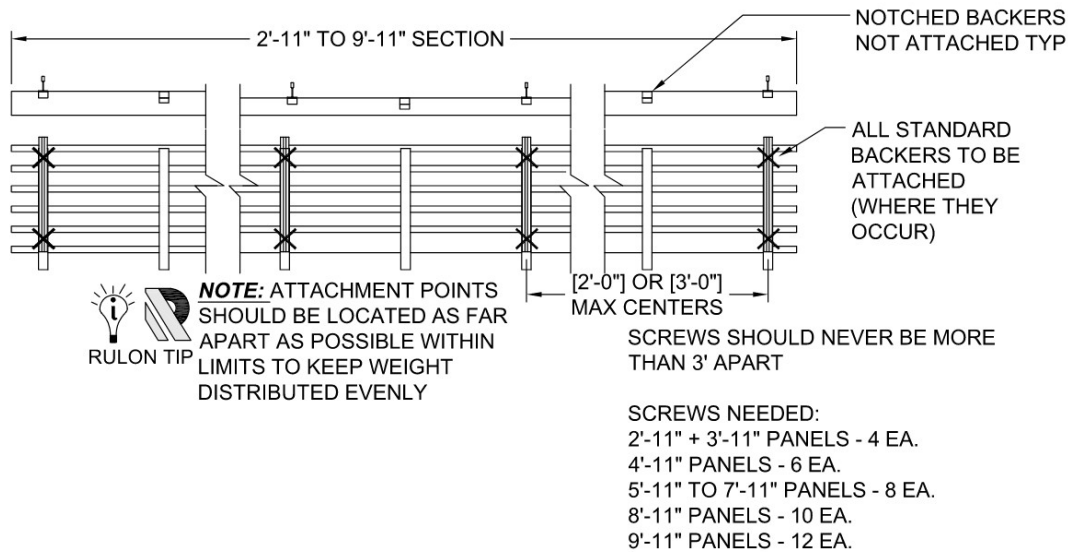
Rulon Dura Grille Wood Walls Installation Guide

Step 1: Wall Preparation

Install layer of plywood or furring strips (not by Rulon) to wall structure.

Step 1A: Attachment Spacing

Dura Grilles shall be installed on maximum 3' centers between attached woodbackers. Dura Grilles are manufactured in lengths for three feet up to ten feet (10' [3048 mm]), one inch (1" [25 mm]) under the foot (i.e., a 6' [1829 mm] Panel is 5'-11" [1803 mm] in length.) Blade depth and thickness may vary to meet project requirements.



Step 2: Dura Grille Attachment

Attach Dura Grilles by screwing through woodbacker into sheathing or furring. Hardware shall be provided by the contractor.

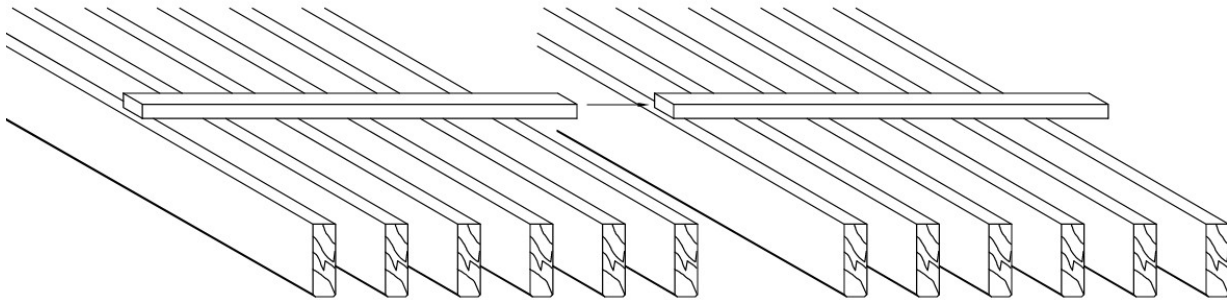
Rulon Dura Grille Wood Walls Installation Guide

Step 3: Dura Grille Installation Sequence

Dura Grilles shall be installed in sequence, from one side of the room to the other. The first panel grill will be positioned with the female side toward the wall. Dura Grilles should be added – female to male across the room. Panel to panel module spacing is to be maintained at the face, to create equal reveal spacing (typical).

Note:

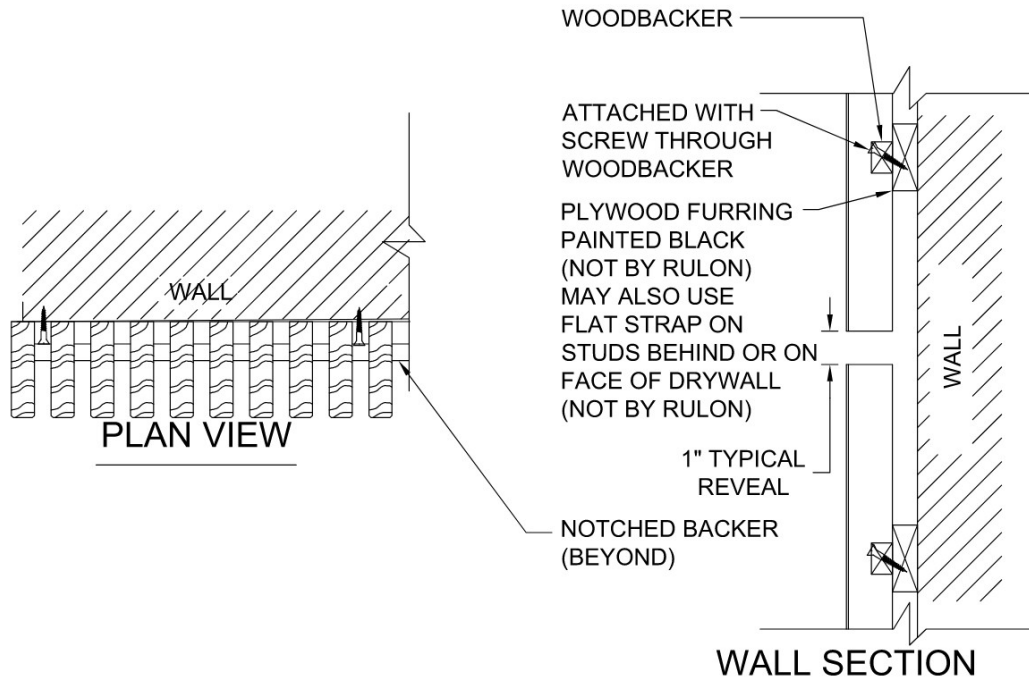
When an acoustical blanket is to be installed, it should be placed behind the panels as the installation progresses.



Rulon Dura Grille Wood Walls Installation Guide

Step 4: Layout of Reveals

Unless otherwise specified and/or detailed in the shop drawings, as each succeeding row of Dura Grilles is added, a 1" [25 mm] reveal shall be maintained.



Step 5: Perimeters

Unless otherwise specified and/or detailed on the shop drawings, perimeter panels typically maintain a target 1" [25 mm] reveal at the perimeter. If cutting is required, it is recommended to scribe and cut with a sliding miter saw with a fine-tooth carbide finish blade. It is important that the blade is new. **Use provided touch-up finish to seal the cut ends of all panels. For Exterior Applications, cut ends must be touched up thoroughly with Spar Urethane finish to prevent moisture infiltration.** For the field-cut panels, Rulon will supply an adequate amount of touch up that should be field applied with a foam brush.

Step 6: Cleanup

- Make final adjustments to level or contours.
- Clean all wood blades and borders free of dirt, dust, grease, oils, and fingerprints. Refer to the Rulon Care and Maintenance document for further instructions.
- Remove and replace all work that cannot be successfully cleaned or repaired.