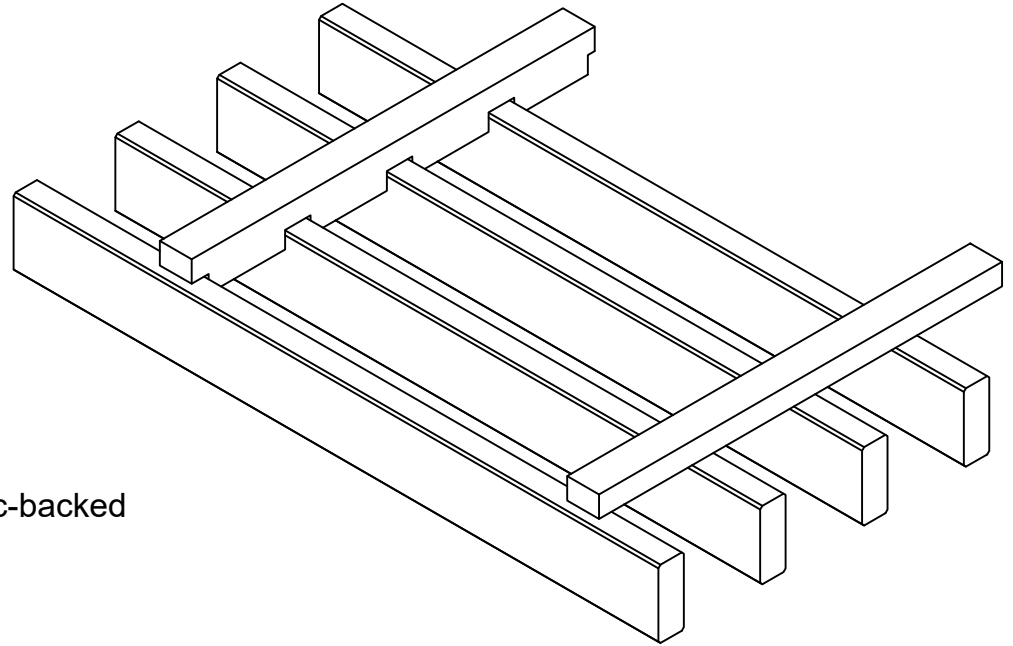


<u>DRAWING #</u>	<u>TITLE</u>
DG 2-12-32	Dura Grille Profile
DG 2-12-48	Dura Grille Profile
DG 2-12-84	Dura Grille Profile
DG 2-20-32	Dura Grille Profile
DG 4-20-32	Dura Grille Profile
DG 4-12-84	Dura Grille Profile
DG 6-12-32	Dura Grille Profile
DG 3-20-32N	Dura Grille Profile Notched
DG 4-12-32NF	Dura Grille Profile Notched + Fabric-backed
DG 4-12-48N	Dura Grille Profile Notched
DG 6-12-48N	Dura Grille Profile Notched
DG 6-12-84N	Dura Grille Profile Notched



Dura Grille Profile - DG 4-12-48 SHOWN



RULON INTERNATIONAL
2000 Ring Way
St. Augustine, FL 32092

(904) 584-1400
info @ rulonco.com

www.rulonco.com

PROJECT:

TITLE: **Dura Grille Profile Index Solid**

ISSUE DATE:

REVISION DATE:
DEC/10/2025

DRAWN BY:

CAP

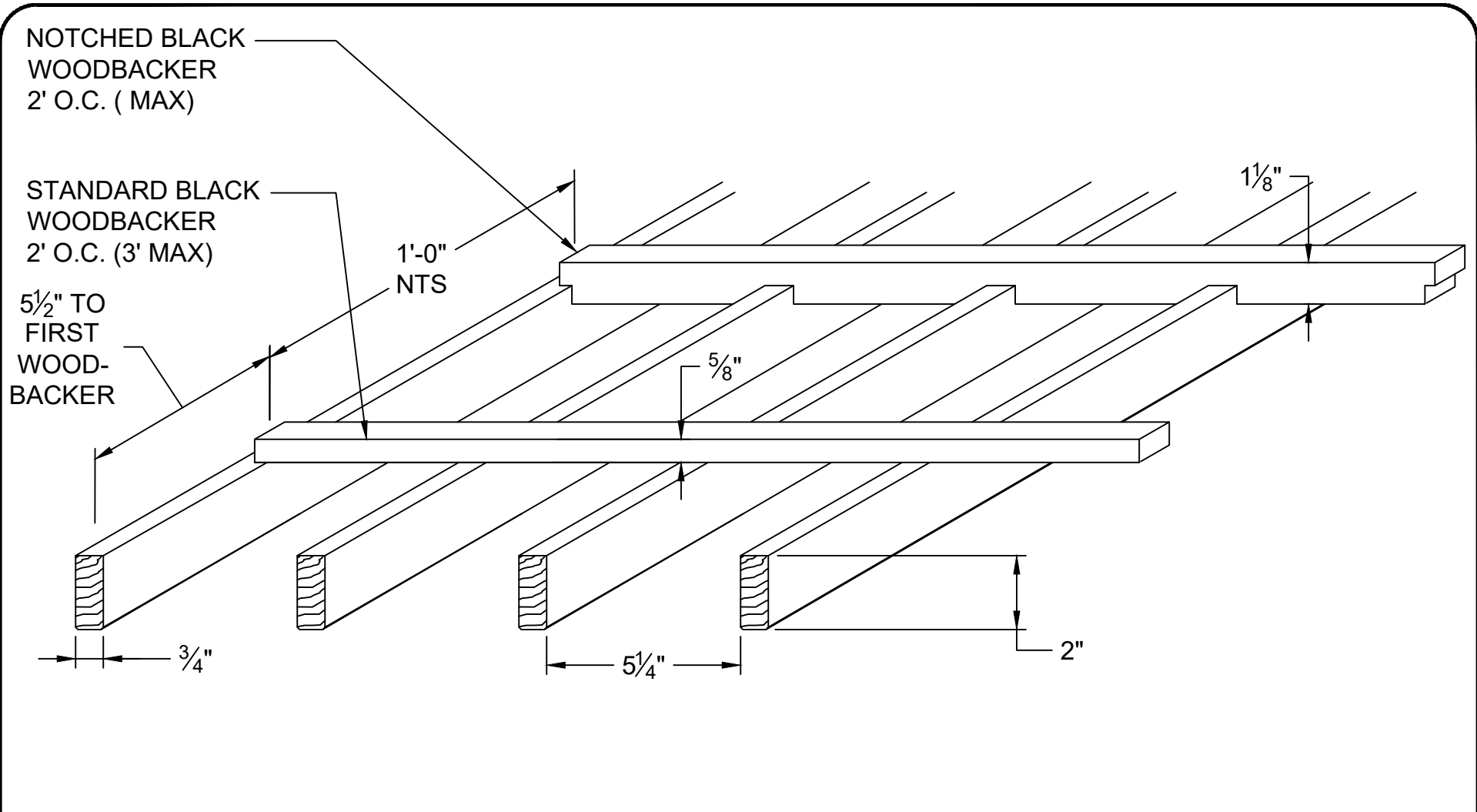
CHECKED BY:

TDA

PROJECT NUMBER:

DRAWING NUMBER:

DG-PS-INDEX



NOTE: Dura Grilles ARE MANUFACTURED IN LENGTHS FROM THREE FEET (3') UP TO TEN FEET (10'), ONE INCH (1" [25 mm]) UNDER THE FOOT (I.E., A 6' [1829 mm] PANEL IS 5'-11" [1803 mm] IN LENGTH.) BLADE DEPTH AND THICKNESS MAY VARY TO MEET PROJECT REQUIREMENTS



RULON INTERNATIONAL
2000 Ring Way
St. Augustine, FL 32092

(904) 584-1400
info @ rulonco.com

www.rulonco.com

PROJECT:

TITLE: Dura Grille Profile DG 2-12-32

ISSUE DATE:

REVISION DATE:
DEC/10/2025

DRAWN BY:

CAP

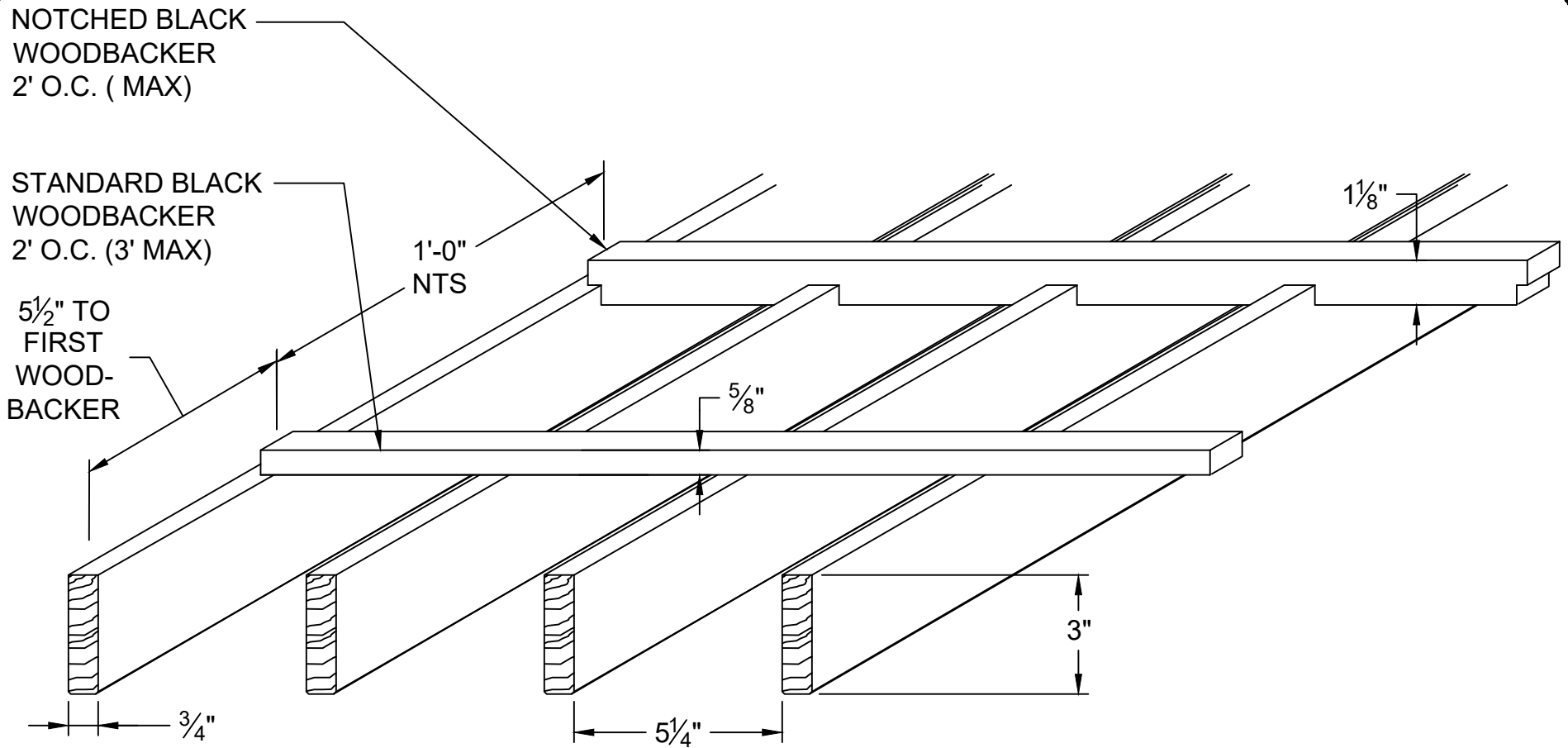
CHECKED BY:

TDA

PROJECT NUMBER:

DRAWING NUMBER:

DG 2-12-32



NOTE: Dura Grilles ARE MANUFACTURED IN LENGTHS FROM THREE FEET (3') UP TO TEN FEET (10'), ONE INCH (1" [25 mm]) UNDER THE FOOT (I.E., A 6' [1829 mm] PANEL IS 5'-11" [1803 mm] IN LENGTH.) BLADE DEPTH AND THICKNESS MAY VARY TO MEET PROJECT REQUIREMENTS



RULON INTERNATIONAL
2000 Ring Way
St. Augustine, FL 32092

(904) 584-1400
info @ rulonco.com

www.rulonco.com

PROJECT:

TITLE: Dura Grille Profile DG 2-12-48

ISSUE DATE:

REVISION DATE:
DEC/10/2025

DRAWN BY:

CAP

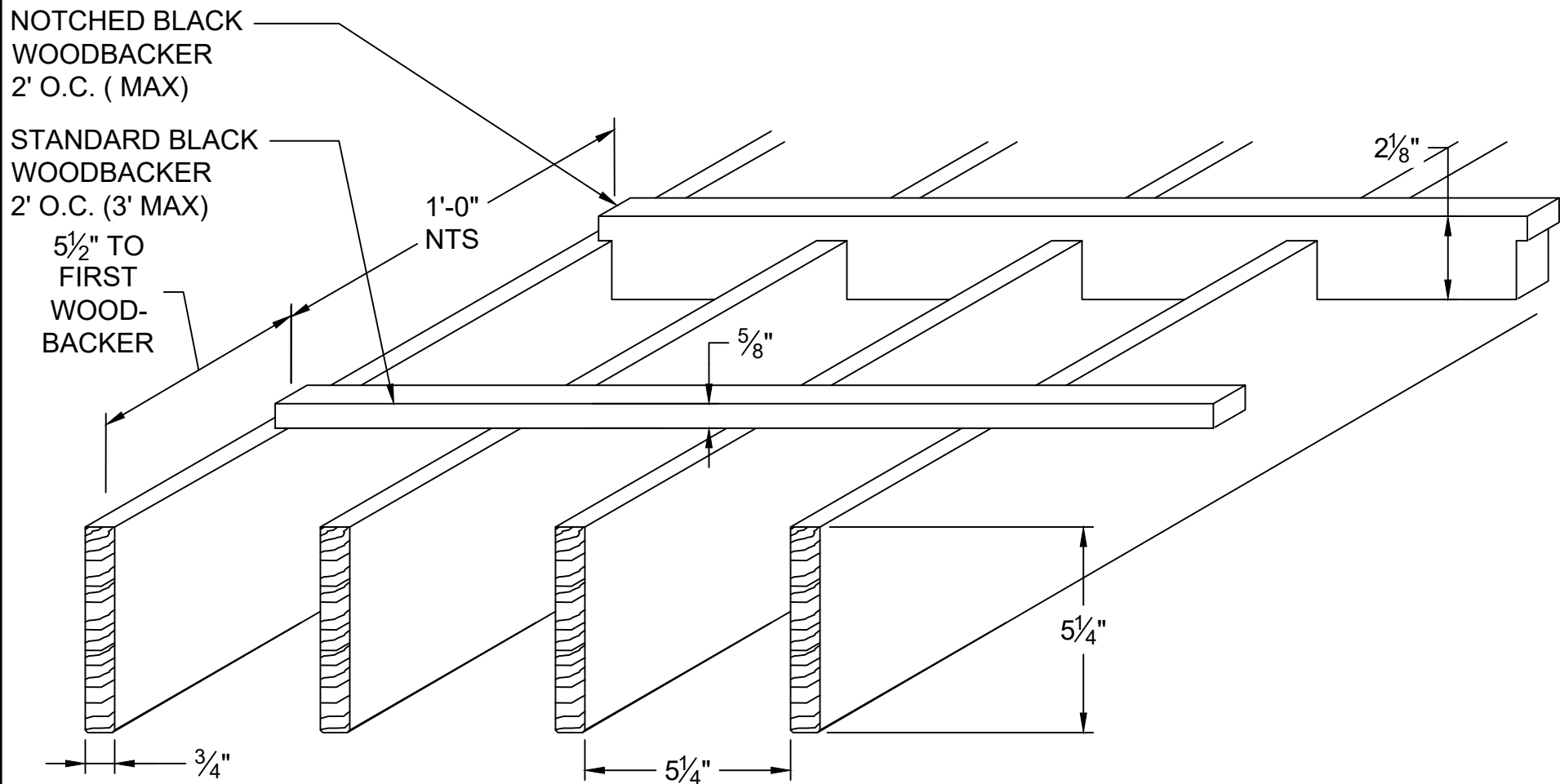
CHECKED BY:

TDA

PROJECT NUMBER:

DRAWING NUMBER:

DG 2-12-48



NOTE: Dura Grilles ARE MANUFACTURED IN LENGTHS FROM THREE FEET (3') UP TO TEN FEET (10'), ONE INCH (1" [25 mm]) UNDER THE FOOT (I.E., A 6' [1829 mm] PANEL IS 5'-11" [1803 mm] IN LENGTH.) BLADE DEPTH AND THICKNESS MAY VARY TO MEET PROJECT REQUIREMENTS



RULON INTERNATIONAL
2000 Ring Way
St. Augustine, FL 32092

(904) 584-1400
info @ rulonco.com

www.rulonco.com

PROJECT:

TITLE: Dura Grille Profile DG 2-12-84

ISSUE DATE:

REVISION DATE:
DEC/10/2025

DRAWN BY:

CAP

CHECKED BY:

TDA

PROJECT NUMBER:

DRAWING NUMBER:

DG 2-12-84

NOTCHED BLACK
WOODBACKER
2' O.C. (MAX)

STANDARD BLACK
WOODBACKER
2' O.C. (3' MAX)

5½" TO
FIRST
WOOD-
BACKER

1'-0"
NTS

1½"

5⁄8"

1¼"

4¾"

2"

NOTE: Dura Grilles ARE MANUFACTURED IN LENGTHS FROM THREE FEET (3') UP TO TEN FEET (10'), ONE INCH (1" [25 mm]) UNDER THE FOOT (I.E., A 6' [1829 mm] PANEL IS 5'-11" [1803 mm] IN LENGTH.) BLADE DEPTH AND THICKNESS MAY VARY TO MEET PROJECT REQUIREMENTS



RULON INTERNATIONAL
2000 Ring Way
St. Augustine, FL 32092

(904) 584-1400
info @ rulonco.com

www.rulonco.com

PROJECT:

ISSUE DATE:

DRAWN BY:

PROJECT NUMBER:

CAP

TITLE: Dura Grille Profile DG 2-20-32

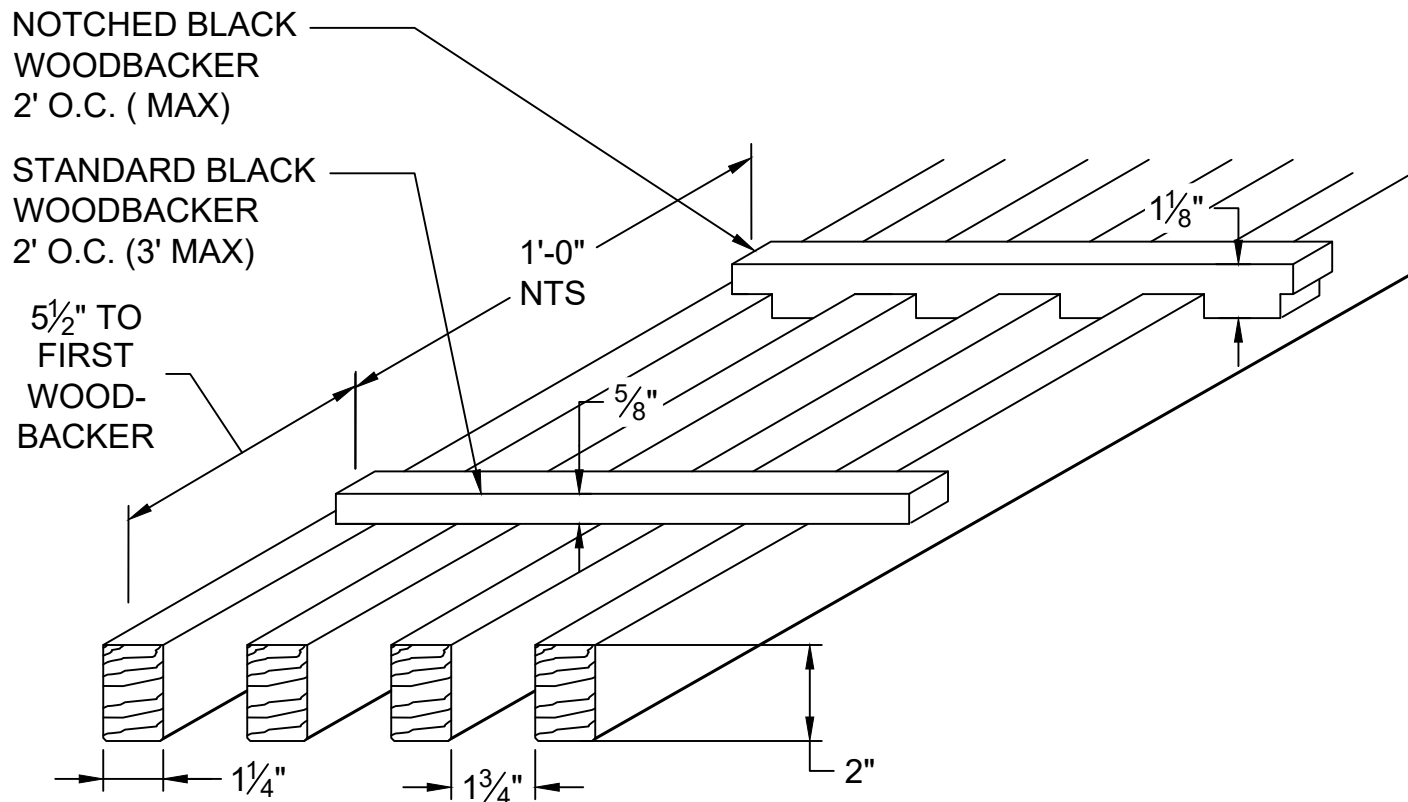
REVISION DATE:
DEC/10/2025

CHECKED BY:

DRAWING NUMBER:

TDA

DG 2-20-32



NOTE: Dura Grilles ARE MANUFACTURED IN LENGTHS FROM THREE FEET (3') UP TO TEN FEET (10'), ONE INCH (1" [25 mm]) UNDER THE FOOT (I.E., A 6' [1829 mm] PANEL IS 5'-11" [1803 mm] IN LENGTH.) BLADE DEPTH AND THICKNESS MAY VARY TO MEET PROJECT REQUIREMENTS



RULON INTERNATIONAL
2000 Ring Way
St. Augustine, FL 32092

(904) 584-1400
info @ rulonco.com

www.rulonco.com

PROJECT:

TITLE: Dura Grille Profile DG 4-20-32

ISSUE DATE:

DEC/10/2025

DRAWN BY:

CAP

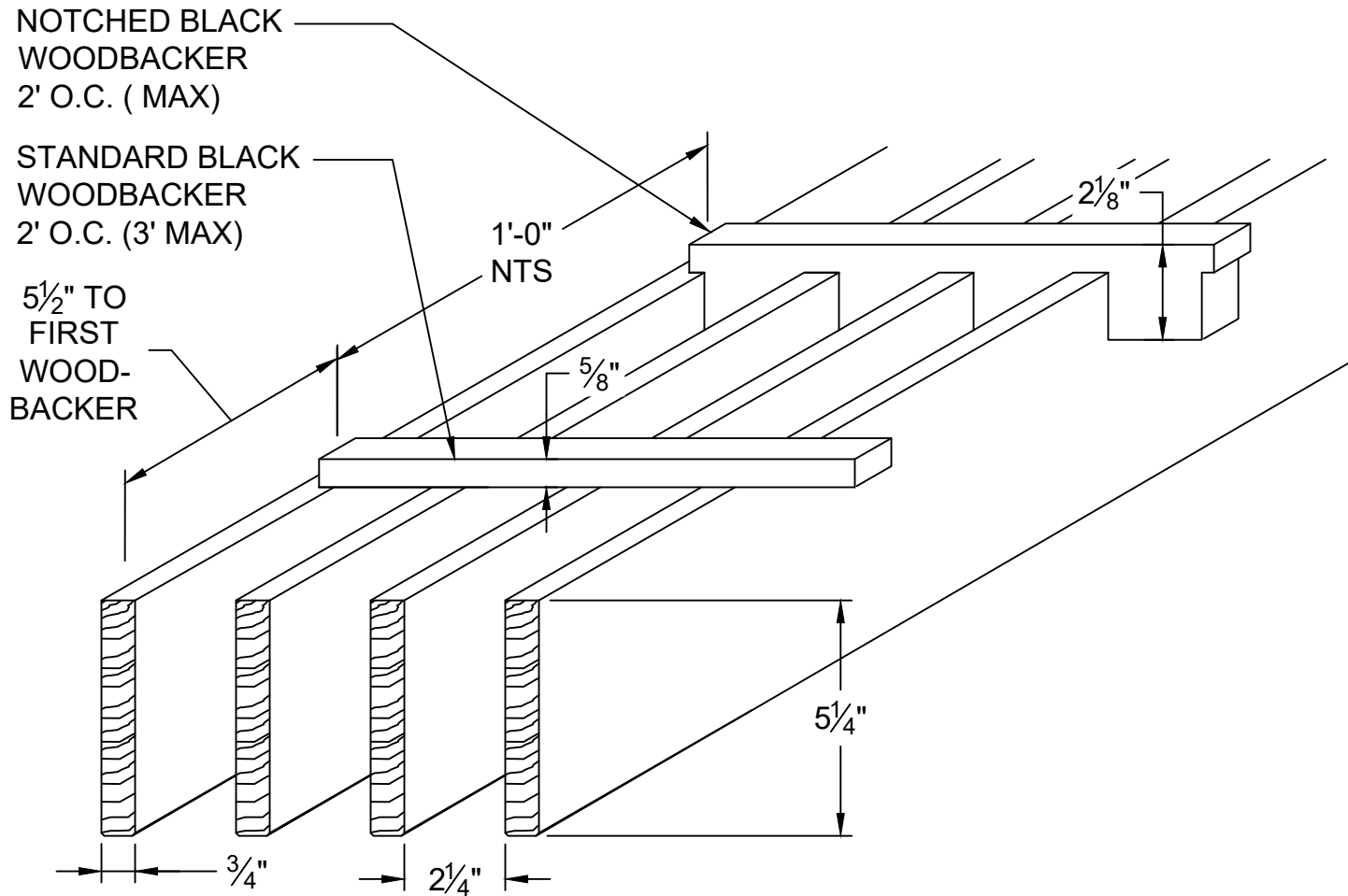
CHECKED BY:

TDA

PROJECT NUMBER:

DRAWING NUMBER:

DG 4-20-32



NOTE: Dura Grilles ARE MANUFACTURED IN LENGTHS FROM THREE FEET (3') UP TO TEN FEET (10'), ONE INCH (1" [25 mm]) UNDER THE FOOT (I.E., A 6' [1829 mm] PANEL IS 5'-11" [1803 mm] IN LENGTH.) BLADE DEPTH AND THICKNESS MAY VARY TO MEET PROJECT REQUIREMENTS



RULON INTERNATIONAL
2000 Ring Way
St. Augustine, FL 32092

(904) 584-1400
info @ rulonco.com

www.rulonco.com

PROJECT:

TITLE: Dura Grille Profile DG 4-12-84

ISSUE DATE:

REVISION DATE:
DEC/10/2025

DRAWN BY:

CAP

CHECKED BY:

TDA

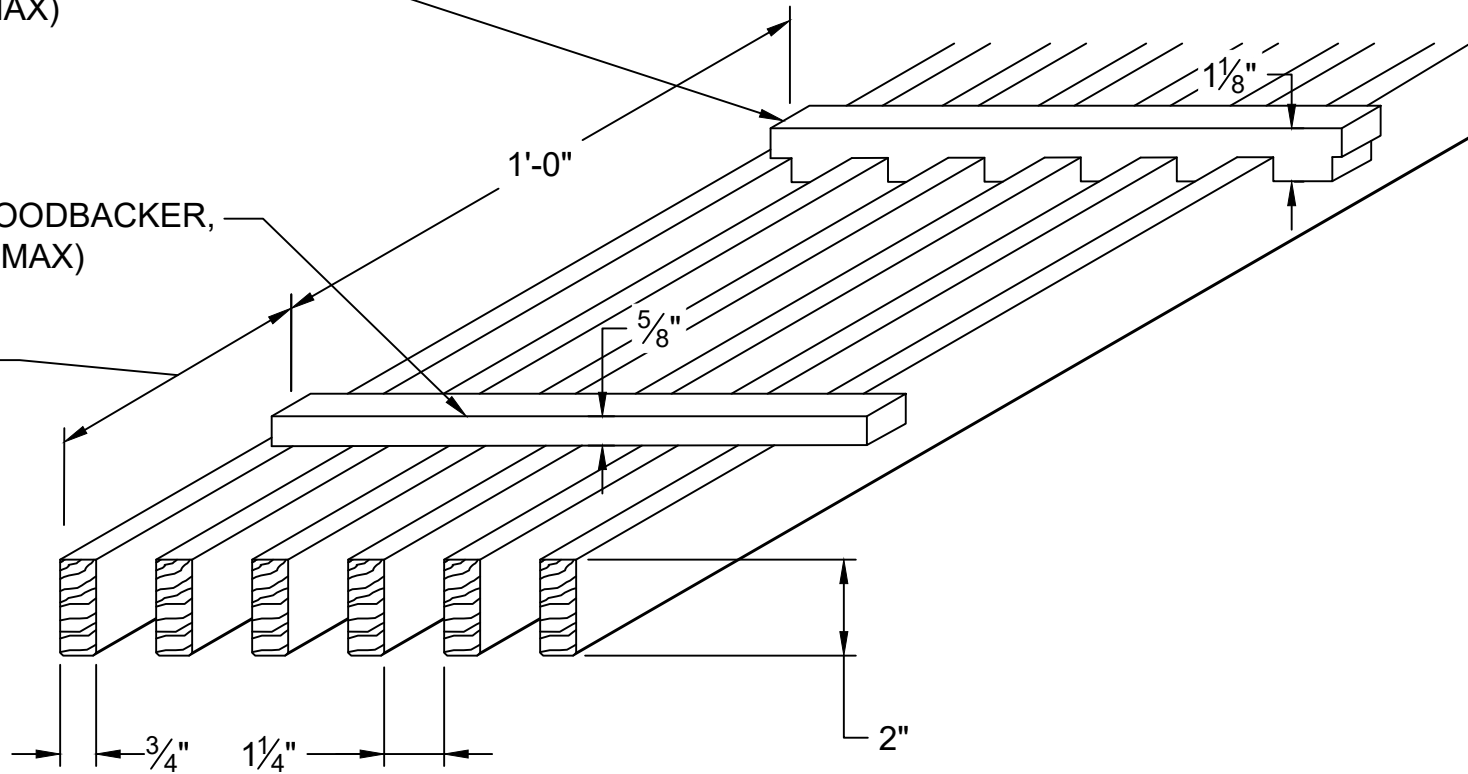
PROJECT NUMBER:

DRAWING NUMBER:

DG 4-12-84

NOTCHED WOODBACKER,
2' O.C. (MAX)

BLACK WOODBACKER,
2' O.C. (3' MAX)
5½" TO
FIRST
WOOD-
BACKER



NOTE: Dura Grilles ARE MANUFACTURED IN LENGTHS FROM THREE FEET (3') UP TO TEN FEET (10'), ONE INCH (1" [25 mm]) UNDER THE FOOT (I.E., A 6' [1829 mm] PANEL IS 5'-11" [1803 mm] IN LENGTH.) BLADE DEPTH AND THICKNESS MAY VARY TO MEET PROJECT REQUIREMENTS



RULON INTERNATIONAL
2000 Ring Way
St. Augustine, FL 32092

(904) 584-1400
info @ rulonco.com

www.rulonco.com

PROJECT:

TITLE: Dura Grille Profile DG 6-12-32

ISSUE DATE:

REVISION DATE:
DEC/10/2025

DRAWN BY:

CAP

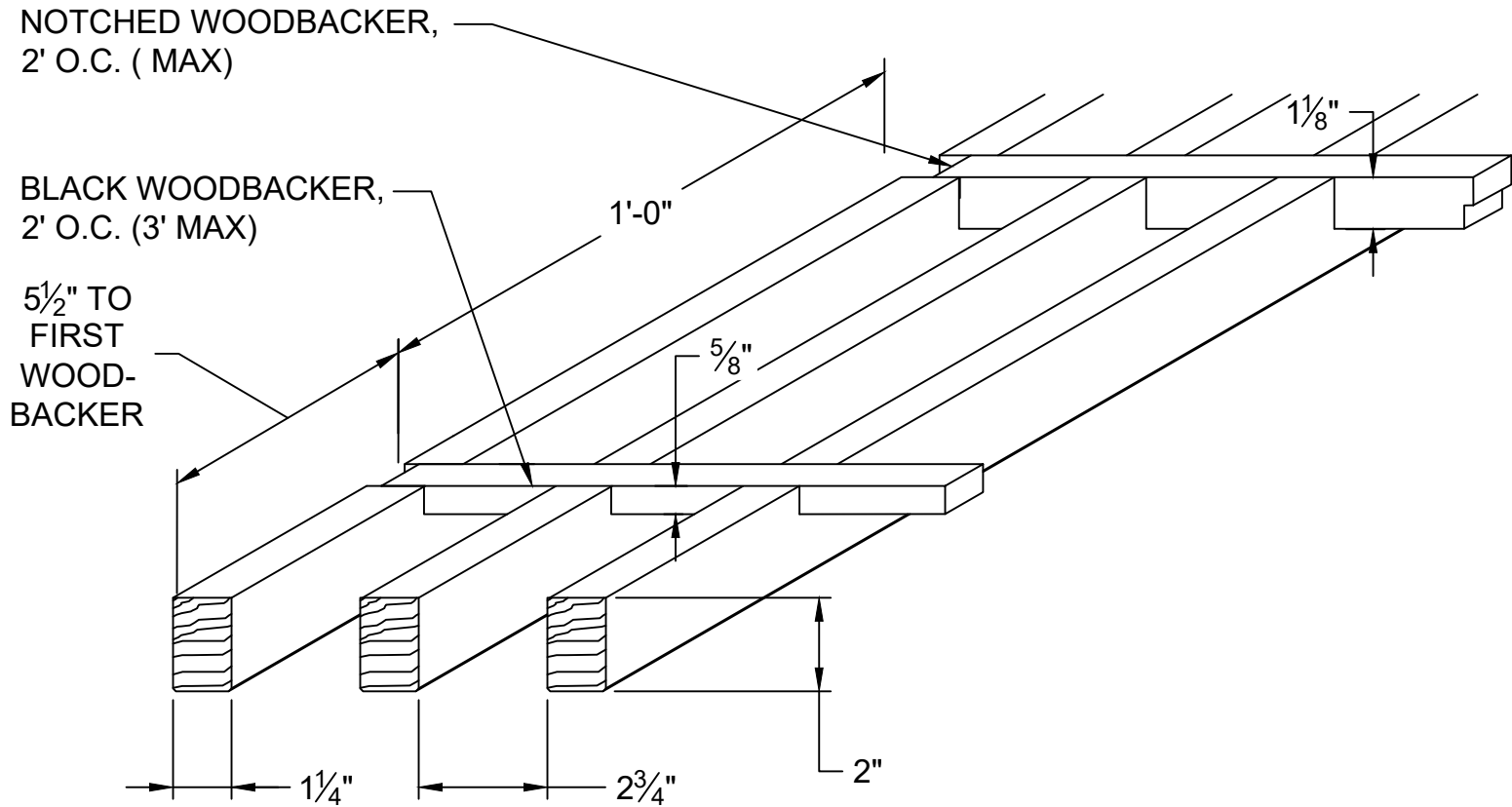
CHECKED BY:

TDA

PROJECT NUMBER:

DRAWING NUMBER:

DG 6-12-32



NOTE: Dura Grilles ARE MANUFACTURED IN LENGTHS FROM THREE FEET (3') UP TO TEN FEET (10'), ONE INCH (1" [25 mm]) UNDER THE FOOT (I.E., A 6' [1829 mm] PANEL IS 5'-11" [1803 mm] IN LENGTH.) BLADE DEPTH AND THICKNESS MAY VARY TO MEET PROJECT REQUIREMENTS



RULON INTERNATIONAL
2000 Ring Way
St. Augustine, FL 32092

(904) 584-1400
info @ rulonco.com

www.rulonco.com

PROJECT:

ISSUE DATE:

DRAWN BY:

PROJECT NUMBER:

CAP

TITLE:

Dura Grille Notched Profile
DG 3-20-32N

REVISION DATE:

DEC/10/2025

CHECKED BY:

TDA

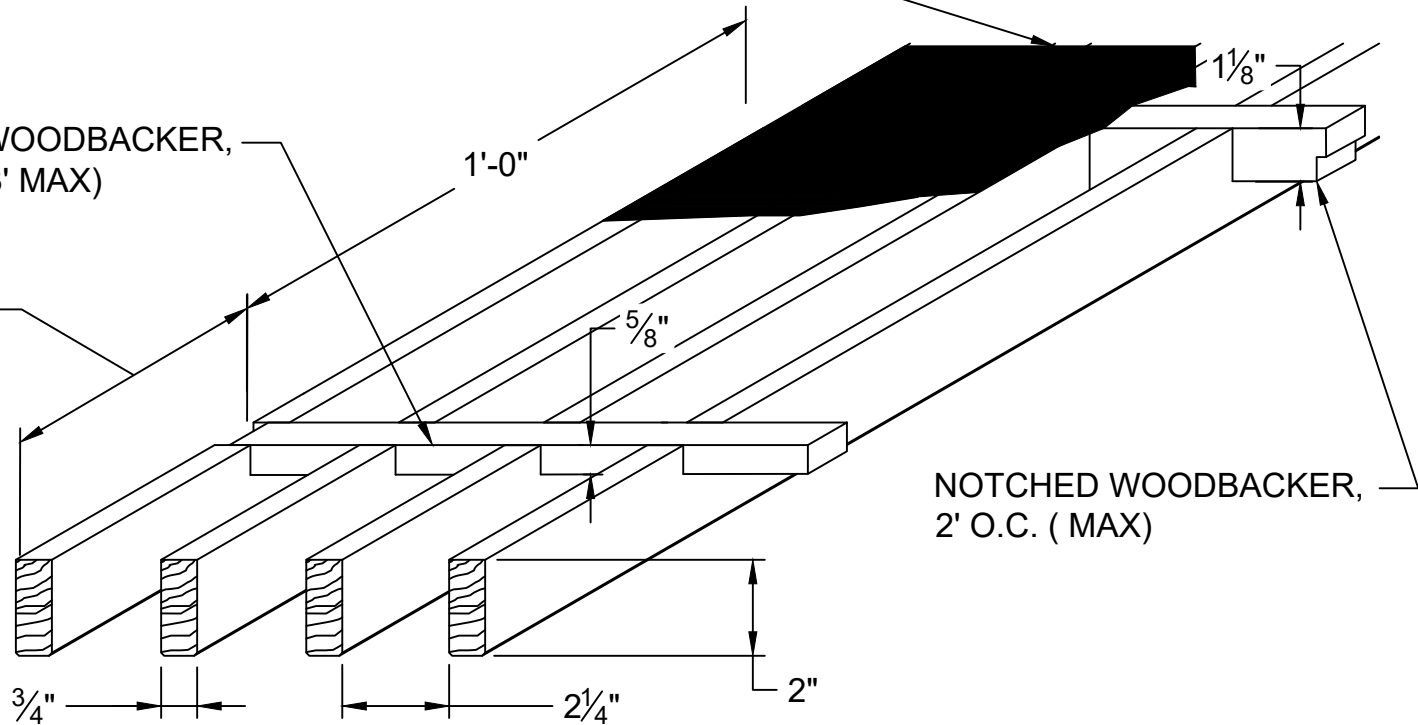
DRAWING NUMBER:

DG 3-20-32N

BLACK FABRIC BACKER FACTORY-ATTACHED

BLACK WOODBACKER,
2' O.C. (3' MAX)

5½" TO
FIRST
WOOD-
BACKER



NOTCHED WOODBACKER,
2' O.C. (MAX)

NOTE: Dura Grilles ARE MANUFACTURED IN LENGTHS FROM THREE FEET (3') UP TO TEN FEET (10'), ONE INCH (1" [25 mm]) UNDER THE FOOT (I.E., A 6' [1829 mm] PANEL IS 5'-11" [1803 mm] IN LENGTH.) BLADE DEPTH AND THICKNESS MAY VARY TO MEET PROJECT REQUIREMENTS



RULON INTERNATIONAL
2000 Ring Way
St. Augustine, FL 32092

(904) 584-1400
info @ rulonco.com

www.rulonco.com

PROJECT:

ISSUE DATE:

DRAWN BY:

PROJECT NUMBER:

CAP

TITLE:

Dura Grille Notched Profile
DG 4-12-32NF Fabric-backed

REVISION DATE:

DEC/10/2025

CHECKED BY:

TDA

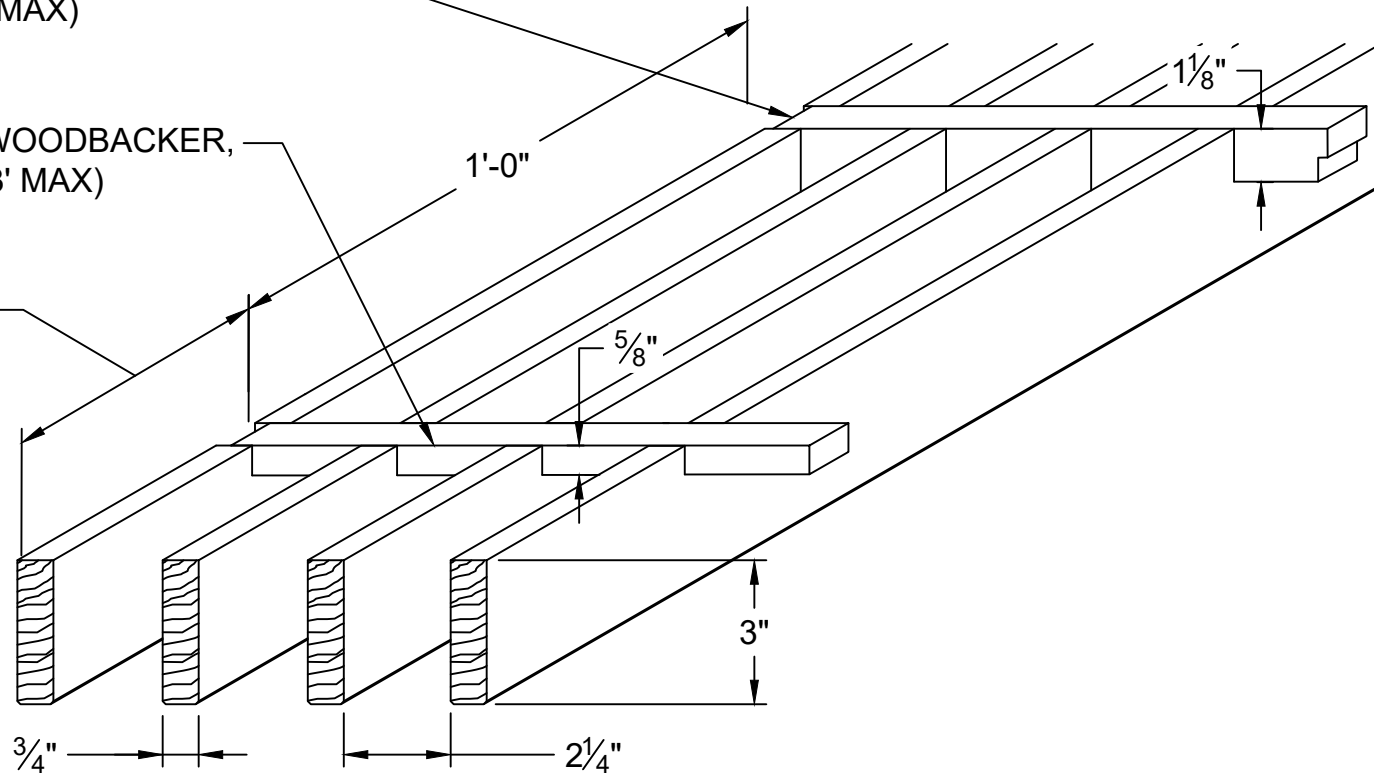
DRAWING NUMBER:

DG 4-12-32NF

NOTCHED WOODBACKER,
2' O.C. (MAX)

BLACK WOODBACKER,
2' O.C. (3' MAX)

5½" TO
FIRST
WOOD-
BACKER



NOTE: Dura Grilles ARE MANUFACTURED IN LENGTHS FROM THREE FEET (3') UP TO TEN FEET (10'), ONE INCH (1" [25 mm]) UNDER THE FOOT (I.E., A 6' [1829 mm] PANEL IS 5'-11" [1803 mm] IN LENGTH.) BLADE DEPTH AND THICKNESS MAY VARY TO MEET PROJECT REQUIREMENTS



RULON INTERNATIONAL
2000 Ring Way
St. Augustine, FL 32092

(904) 584-1400
info @ rulonco.com

www.rulonco.com

PROJECT:

TITLE: Dura Grille Notched Profile
DG 4-12-48N

ISSUE DATE:

REVISION DATE:
DEC/10/2025

DRAWN BY:

CAP

CHECKED BY:

TDA

PROJECT NUMBER:

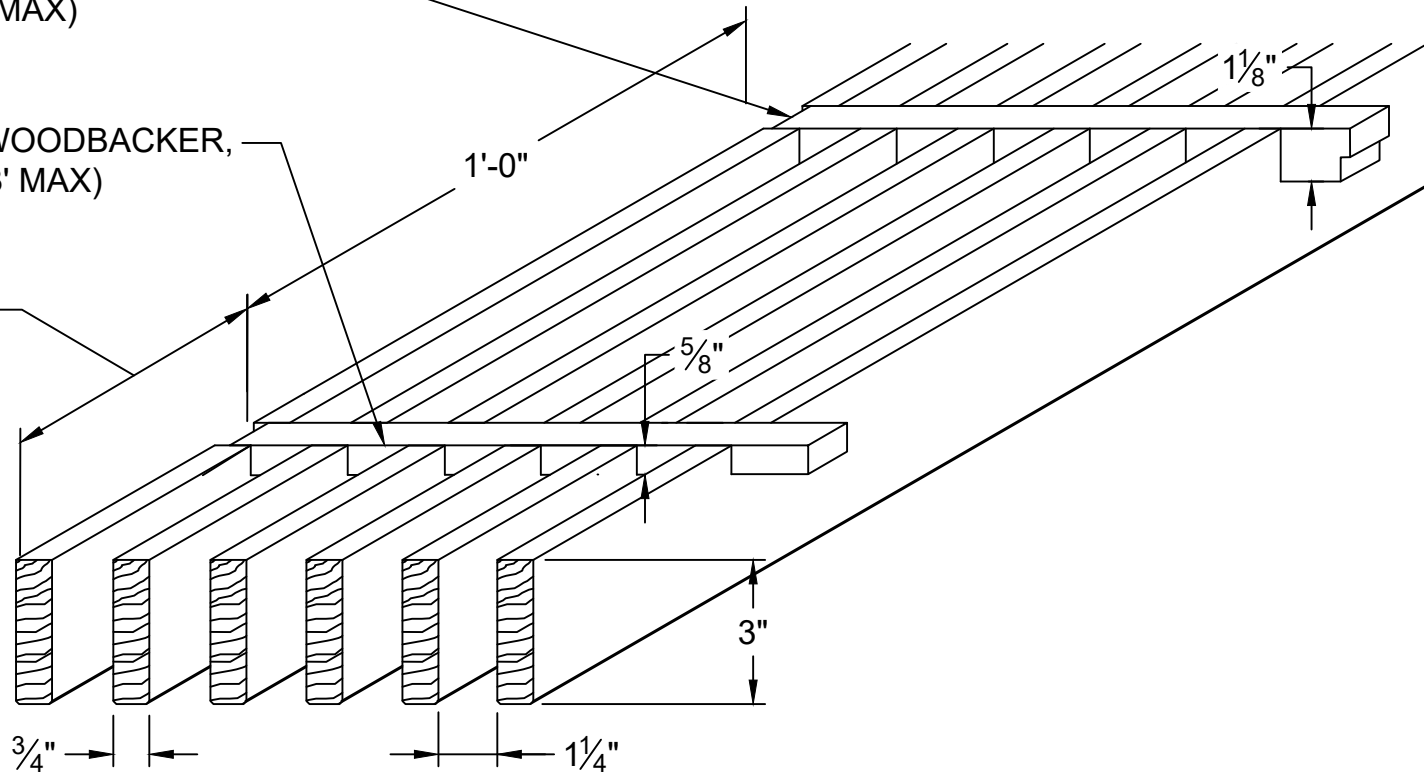
DRAWING NUMBER:

DG 4-12-48N

NOTCHED WOODBACKER,
2' O.C. (MAX)

BLACK WOODBACKER,
2' O.C. (3' MAX)

5½" TO
FIRST
WOOD-
BACKER



NOTE: Dura Grilles ARE MANUFACTURED IN LENGTHS FROM THREE FEET (3') UP TO TEN FEET (10'), ONE INCH (1" [25 mm]) UNDER THE FOOT (I.E., A 6' [1829 mm] PANEL IS 5'-11" [1803 mm] IN LENGTH.) BLADE DEPTH AND THICKNESS MAY VARY TO MEET PROJECT REQUIREMENTS



RULON INTERNATIONAL
2000 Ring Way
St. Augustine, FL 32092

(904) 584-1400
info @ rulonco.com

www.rulonco.com

PROJECT:

ISSUE DATE:

DRAWN BY:

PROJECT NUMBER:

CAP

TITLE:

Dura Grille Notched Profile
DG 6-12-48N

REVISION DATE:

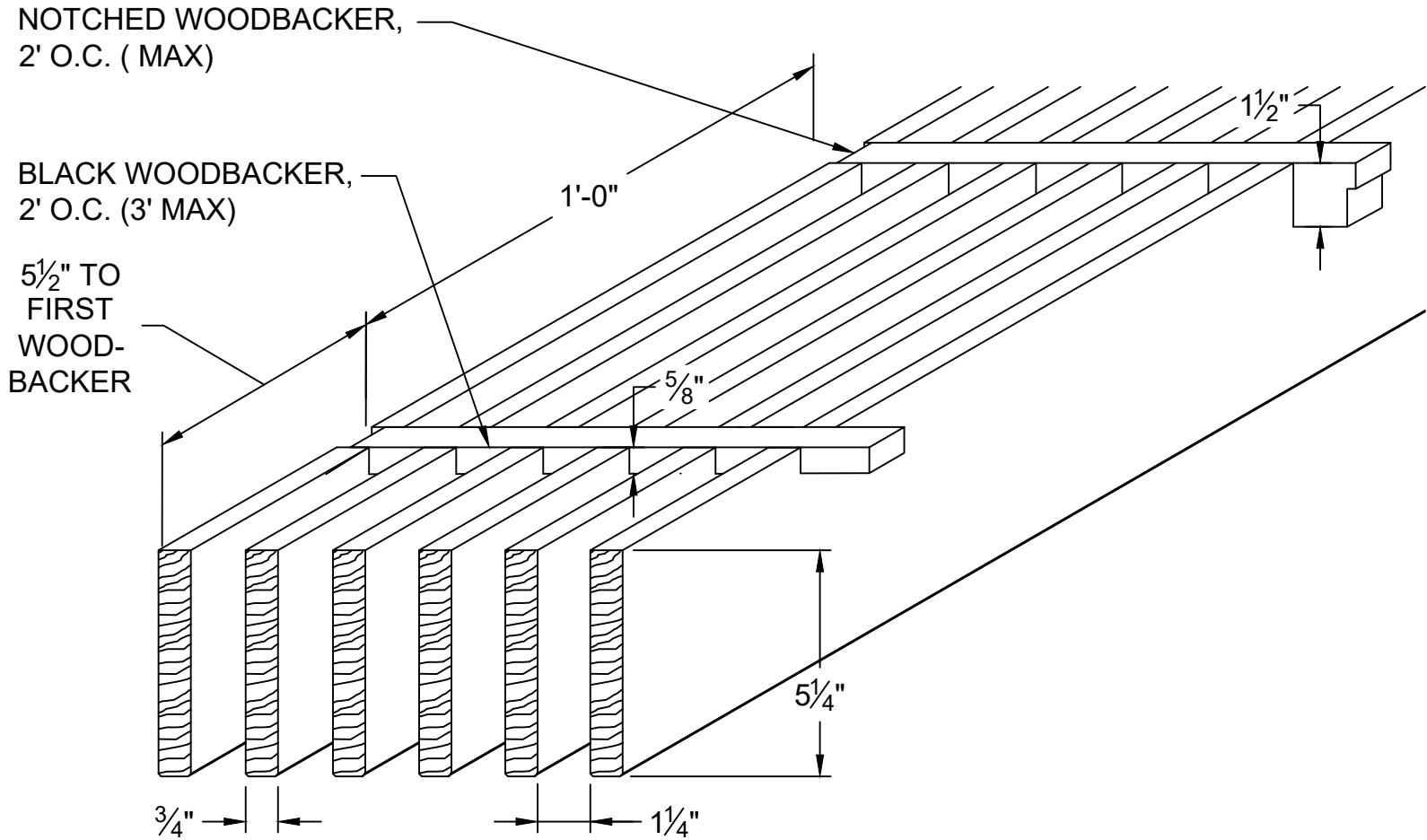
DEC/10/2025

CHECKED BY:

TDA

DRAWING NUMBER:

DG 6-12-48N



NOTE: Dura Grilles ARE MANUFACTURED IN LENGTHS FROM THREE FEET (3') UP TO TEN FEET (10'), ONE INCH (1" [25 mm]) UNDER THE FOOT (I.E., A 6' [1829 mm] PANEL IS 5'-11" [1803 mm] IN LENGTH.) BLADE DEPTH AND THICKNESS MAY VARY TO MEET PROJECT REQUIREMENTS



RULON INTERNATIONAL
2000 Ring Way
St. Augustine, FL 32092

(904) 584-1400
info @ rulonco.com

www.rulonco.com

PROJECT:

TITLE: Dura Grille Notched Profile
DG 6-12-84N

ISSUE DATE:

REVISION DATE:
DEC/10/2025

DRAWN BY:

CAP

CHECKED BY:

TDA

PROJECT NUMBER:

DRAWING NUMBER:

DG 6-12-84N