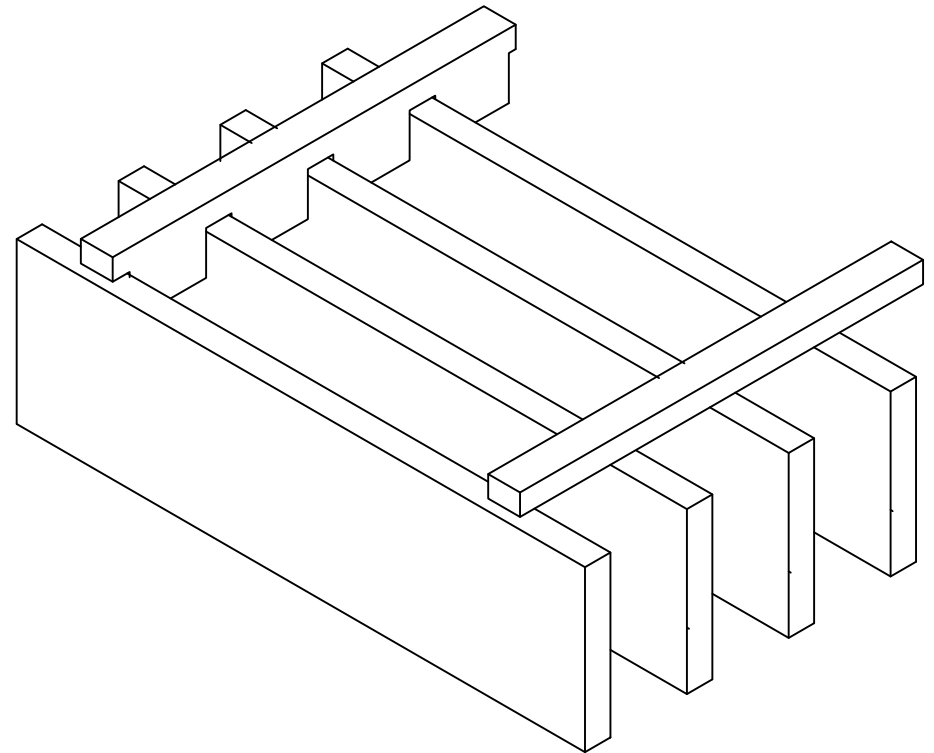


<u>DRAWING #</u>	<u>TITLE</u>
DG 2-12-48V	Veneer Dura Grille Profile
DG 2-12-84V	Veneer Dura Grille Profile
DG 2-21-56V	Veneer Dura Grille Profile
DG 2-21-84V	Veneer Dura Grille Profile
DG 3-21-84V	Veneer Dura Grille Profile
DG 4-12-48V	Veneer Dura Grille Profile
DG 6-12-84V	Veneer Dura Grille Profile
DG 3-21-56NV	Veneer Dura Grille Profile Notched
DG 4-12-84NV	Veneer Dura Grille Profile Notched
DG 4-21-56NV	Veneer Dura Grille Profile Notched
DG 4-21-84NV	Veneer Dura Grille Profile Notched
DG 6-12-48NV	Veneer Dura Grille Profile Notched



Veneer Dura Grille Profile - DG 4-12-84 SHOWN



RULON INTERNATIONAL
2000 Ring Way
St. Augustine, FL 32092

(904) 584-1400
info @ rulonco.com

www.rulonco.com

PROJECT:

TITLE:

Veneer Dura Grille Profile Index

ISSUE DATE:

DEC/10/2025

DRAWN BY:

CAP

CHECKED BY:

TDA

PROJECT NUMBER:

DRAWING NUMBER:

DG-PV-INDEX

NOTCHED BLACK
WOODBACKER
2' O.C. (MAX)

STANDARD BLACK
WOODBACKER
2' O.C. (3' MAX)

5³/₄" TO
FIRST
WOOD-
BACKER

1'-0"
NTS

1¹/₈"

5⁸/₈"

3"

3⁴/₄"

5¹/₄"

NO END-BANDING

NOTE: Veneer Dura Grilles ARE MANUFACTURED IN LENGTHS OF 4' (ACTUAL 3'-11¹/₂"), 5' (ACTUAL 4'-11¹/₂"), 8' (ACTUAL 7'-11¹/₂") OR 10' (ACTUAL 9'-11¹/₂"). BLADE DEPTH AND THICKNESS MAY VARY TO MEET PROJECT REQUIREMENTS



RULON INTERNATIONAL
2000 Ring Way
St. Augustine, FL 32092

(904) 584-1400
info @ rulonco.com

www.rulonco.com

PROJECT:

ISSUE DATE:

DRAWN BY:

PROJECT NUMBER:

CAP

TITLE:

Dura Grille Profile DG 2-12-48V
Veneer

REVISION DATE:

DEC/10/2025

CHECKED BY:

TDA

DRAWING NUMBER:

DG 2-12-48V

NOTCHED BLACK
WOODBACKER
2' O.C. (MAX)

STANDARD BLACK
WOODBACKER
2' O.C. (3' MAX)

5³/₄" TO
FIRST
WOOD-
BACKER

1'-0"
NTS

5/8"

2¹/₈"

5¹/₄"

3/4"

5¹/₄"

NO END-BANDING

NOTE: Veneer Dura Grilles ARE MANUFACTURED IN LENGTHS OF 4' (ACTUAL 3'-11¹/₂"), 5' (ACTUAL 4'-11¹/₂"), 8' (ACTUAL 7'-11¹/₂") OR 10' (ACTUAL 9'-11¹/₂"). BLADE DEPTH AND THICKNESS MAY VARY TO MEET PROJECT REQUIREMENTS



RULON INTERNATIONAL
2000 Ring Way
St. Augustine, FL 32092

(904) 584-1400
info @ rulonco.com

www.rulonco.com

PROJECT:

ISSUE DATE:

DRAWN BY:

PROJECT NUMBER:

CAP

TITLE:

Dura Grille Profile DG 2-12-84V
Veneer

REVISION DATE:

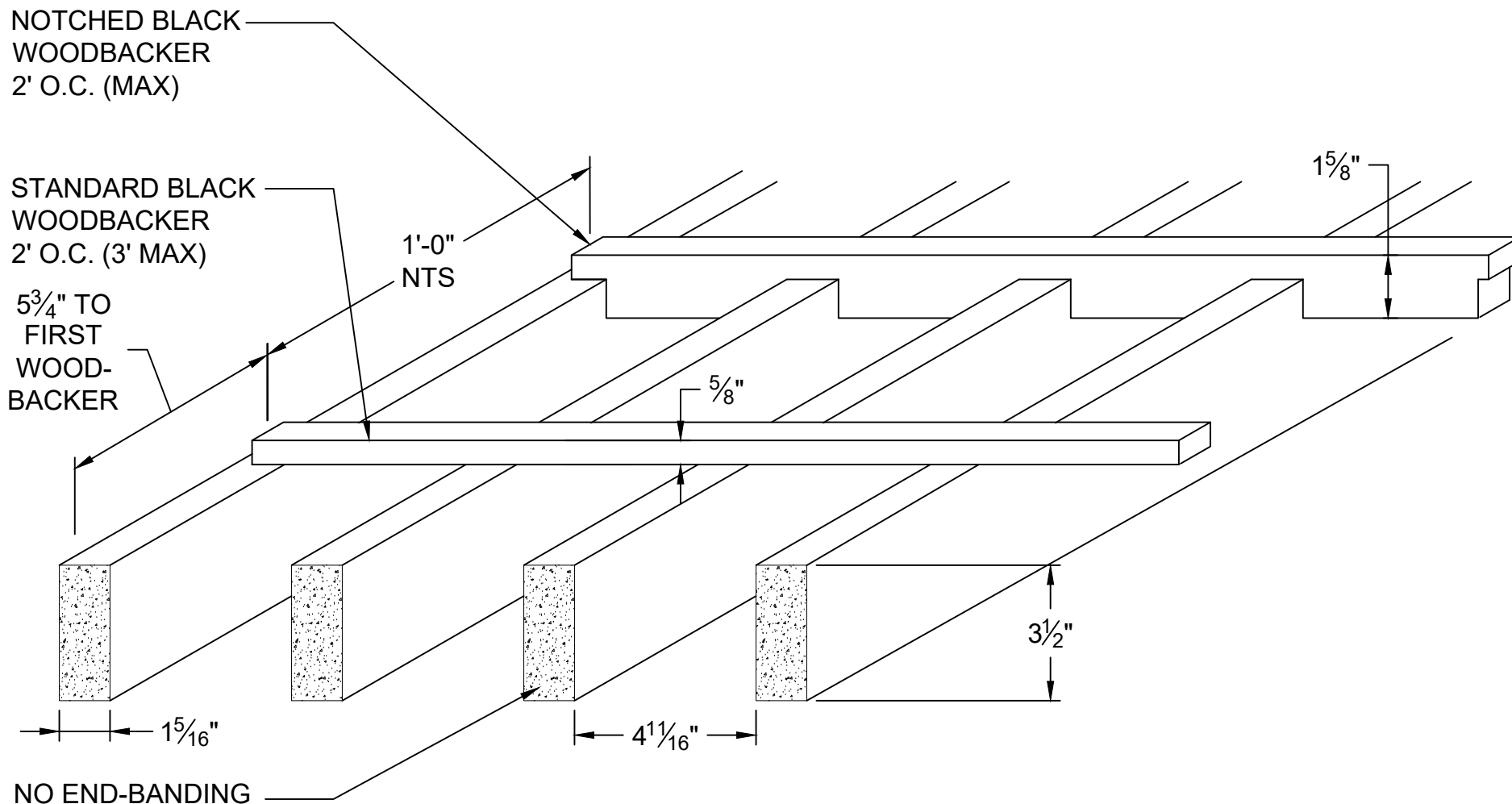
DEC/10/2025

CHECKED BY:

TDA

DRAWING NUMBER:

DG 2-12-84V



NOTE: Veneer Dura Grilles ARE MANUFACTURED IN LENGTHS OF 4' (ACTUAL 3'-11¹/₂"), 5' (ACTUAL 4'-11¹/₂"), 8' (ACTUAL 7'-11¹/₂") OR 10' (ACTUAL 9'-11¹/₂"). BLADE DEPTH AND THICKNESS MAY VARY TO MEET PROJECT REQUIREMENTS



RULON INTERNATIONAL
2000 Ring Way
St. Augustine, FL 32092

(904) 584-1400
info @ rulonco.com

www.rulonco.com

PROJECT:

ISSUE DATE:

DRAWN BY:

PROJECT NUMBER:

CAP

TITLE:

Dura Grille Profile DG 2-21-56V
Veneer

REVISION DATE:

DEC/10/2025

CHECKED BY:

TDA

DRAWING NUMBER:

DG 2-21-56V

NOTCHED BLACK
WOODBACKER
2' O.C. (MAX)

STANDARD BLACK
WOODBACKER
2' O.C. (3' MAX)

5³/₄" TO
FIRST
WOOD-
BACKER

1'-0"
NTS

2¹/₈"

5⁵/₈"

5¹/₄"

1⁵/₁₆"

4¹/₁₆"

NO END-BANDING

NOTE: Veneer Dura Grilles ARE MANUFACTURED IN LENGTHS OF 4' (ACTUAL 3'-11¹/₂"), 5' (ACTUAL 4'-11¹/₂"), 8' (ACTUAL 7'-11¹/₂") OR 10' (ACTUAL 9'-11¹/₂"). BLADE DEPTH AND THICKNESS MAY VARY TO MEET PROJECT REQUIREMENTS



RULON INTERNATIONAL
2000 Ring Way
St. Augustine, FL 32092

(904) 584-1400
info @ rulonco.com

www.rulonco.com

PROJECT:

ISSUE DATE:

DRAWN BY:

PROJECT NUMBER:

CAP

TITLE:

Dura Grille Profile DG 2-21-84V
Veneer

REVISION DATE:

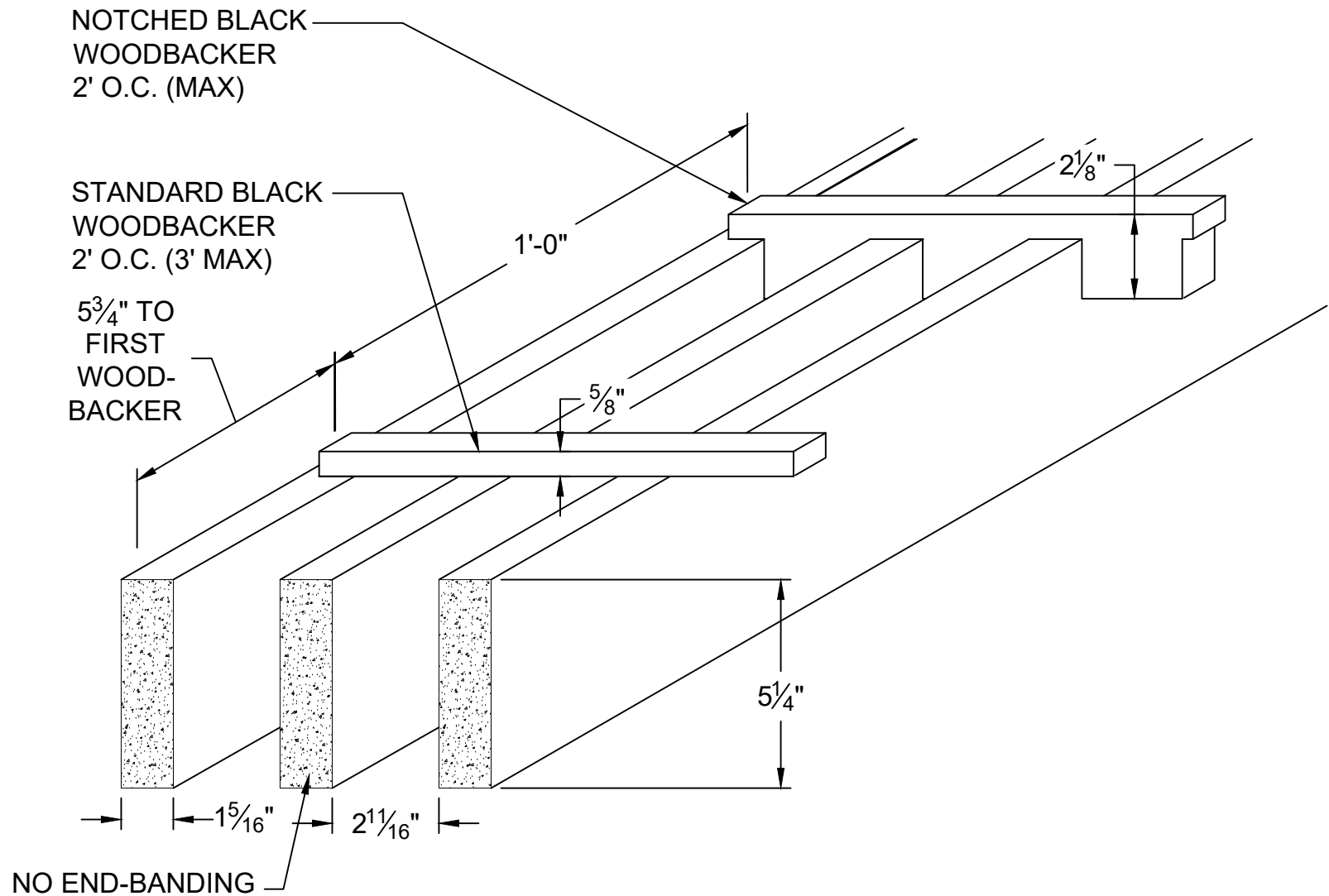
DEC/10/2025

CHECKED BY:

TDA

DRAWING NUMBER:

DG 2-21-84V



NOTE: Veneer Dura Grilles ARE MANUFACTURED IN LENGTHS OF 4' (ACTUAL 3'-11¹/₂"), 5' (ACTUAL 4'-11¹/₂"), 8' (ACTUAL 7'-11¹/₂") OR 10' (ACTUAL 9'-11¹/₂"). BLADE DEPTH AND THICKNESS MAY VARY TO MEET PROJECT REQUIREMENTS



RULON INTERNATIONAL
2000 Ring Way
St. Augustine, FL 32092

(904) 584-1400
info @ rulonco.com

www.rulonco.com

PROJECT:

ISSUE DATE:

DRAWN BY:

PROJECT NUMBER:

CAP

TITLE:

Dura Grille Profile DG 3-21-84V
Veneer

REVISION DATE:

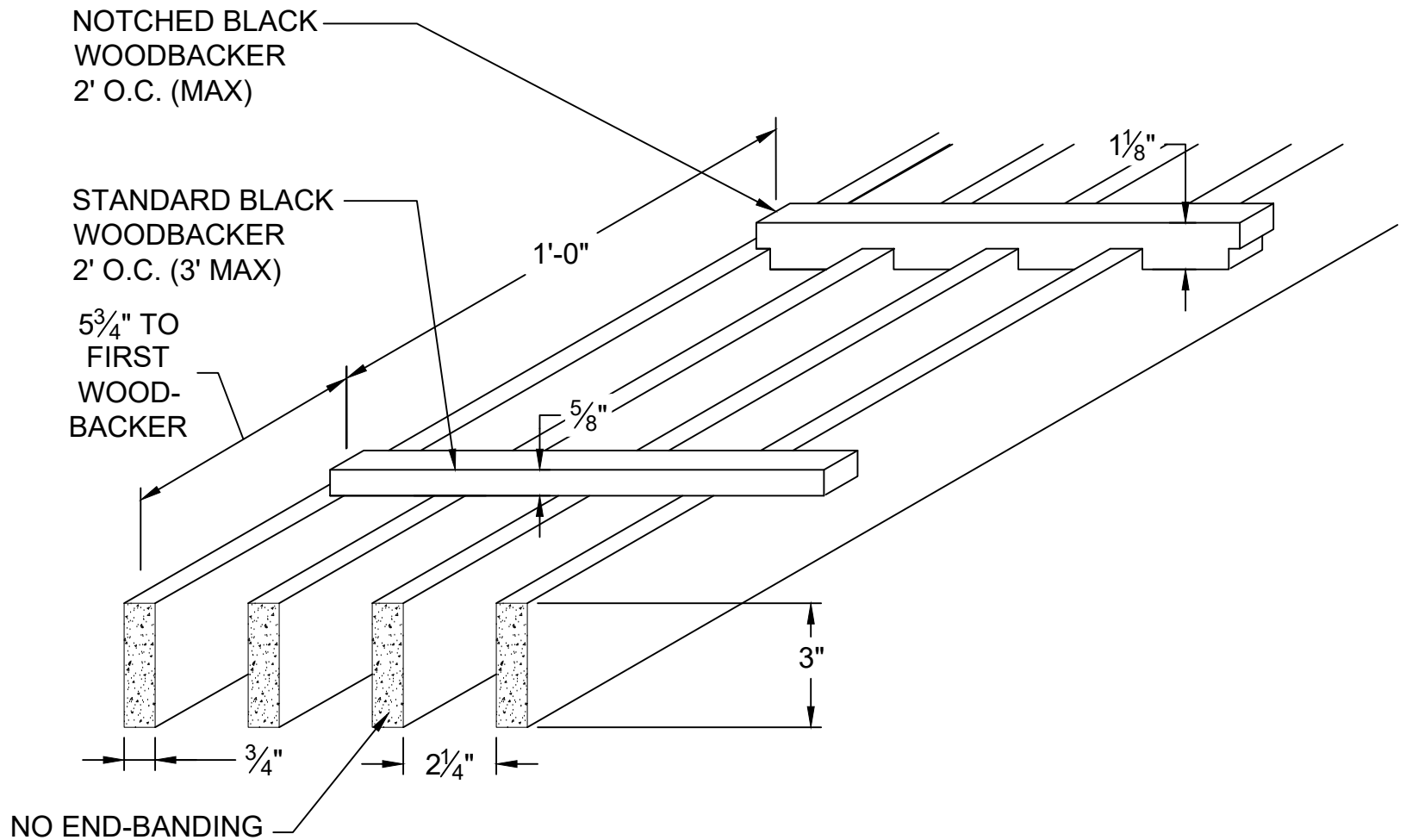
DEC/10/2025

CHECKED BY:

TDA

DRAWING NUMBER:

DG 3-21-84V



NOTE: Veneer Dura Grilles ARE MANUFACTURED IN LENGTHS OF 4' (ACTUAL 3'-11 1/2"), 5' (ACTUAL 4'-11 1/2"), 8' (ACTUAL 7'-11 1/2") OR 10' (ACTUAL 9'-11 1/2"). BLADE DEPTH AND THICKNESS MAY VARY TO MEET PROJECT REQUIREMENTS



RULON INTERNATIONAL
2000 Ring Way
St. Augustine, FL 32092

(904) 584-1400
info @ rulonco.com

www.rulonco.com

PROJECT:

ISSUE DATE:

DRAWN BY:

PROJECT NUMBER:

CAP

TITLE:

Dura Grille Profile DG 4-12-48V
Veneer

REVISION DATE:

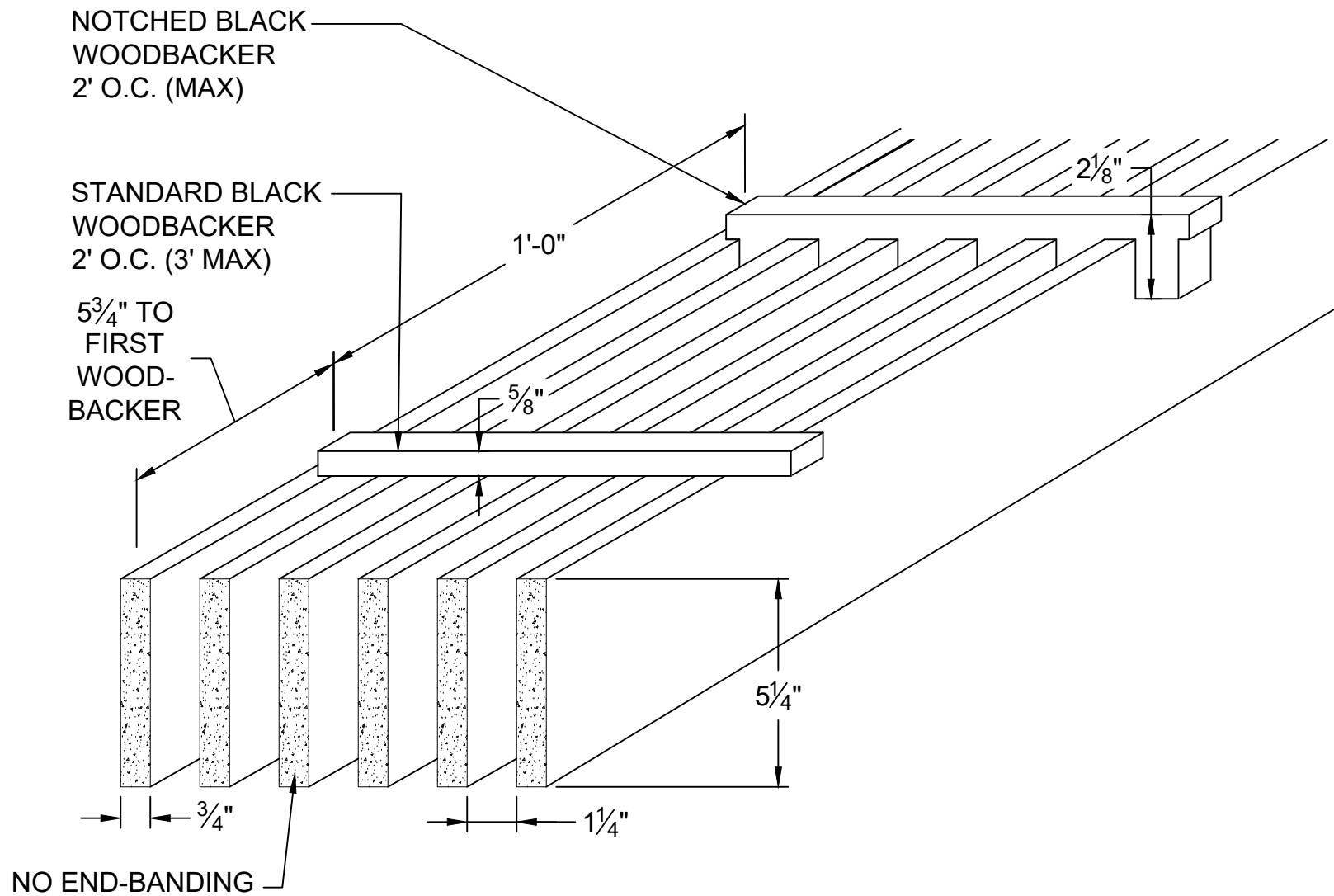
DEC/10/2025

CHECKED BY:


TDA

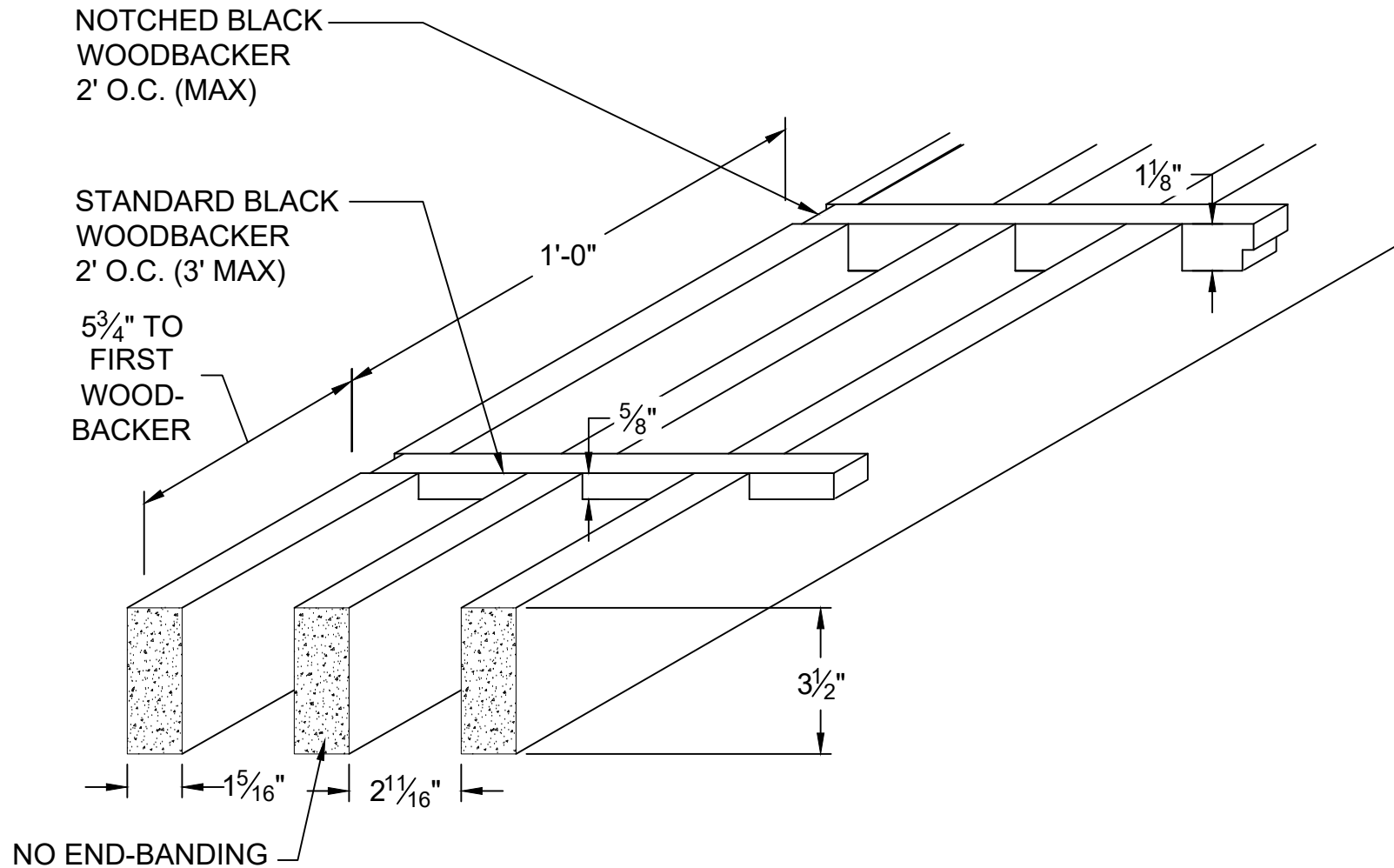
DRAWING NUMBER:

DG 4-12-48V



NOTE: Veneer Dura Grilles ARE MANUFACTURED IN LENGTHS OF 4' (ACTUAL 3'-11¹/₂"), 5' (ACTUAL 4'-11¹/₂"), 8' (ACTUAL 7'-11¹/₂") OR 10' (ACTUAL 9'-11¹/₂"). BLADE DEPTH AND THICKNESS MAY VARY TO MEET PROJECT REQUIREMENTS

 <p>RULON INTERNATIONAL 2000 Ring Way St. Augustine, FL 32092 (904) 584-1400 info @ rulonco.com www.rulonco.com</p>	PROJECT:	ISSUE DATE:	DRAWN BY: CAP	PROJECT NUMBER:
	TITLE: Dura Grille Profile DG 6-12-84V Veneer	REVISION DATE: DEC/10/2025	CHECKED BY: TDA	DRAWING NUMBER: DG 6-12-84V



NOTE: Veneer Dura Grilles ARE MANUFACTURED IN LENGTHS OF 4' (ACTUAL 3'-11 1/2"), 5' (ACTUAL 4'-11 1/2"), 8' (ACTUAL 7'-11 1/2") OR 10' (ACTUAL 9'-11 1/2"). BLADE DEPTH AND THICKNESS MAY VARY TO MEET PROJECT REQUIREMENTS



RULON INTERNATIONAL
2000 Ring Way
St. Augustine, FL 32092

(904) 584-1400
info @ rulonco.com

www.rulonco.com

PROJECT:

ISSUE DATE:

DRAWN BY:

PROJECT NUMBER:

CAP

TITLE: Dura Grille Notched Profile
DG 3-21-56NV Veneer

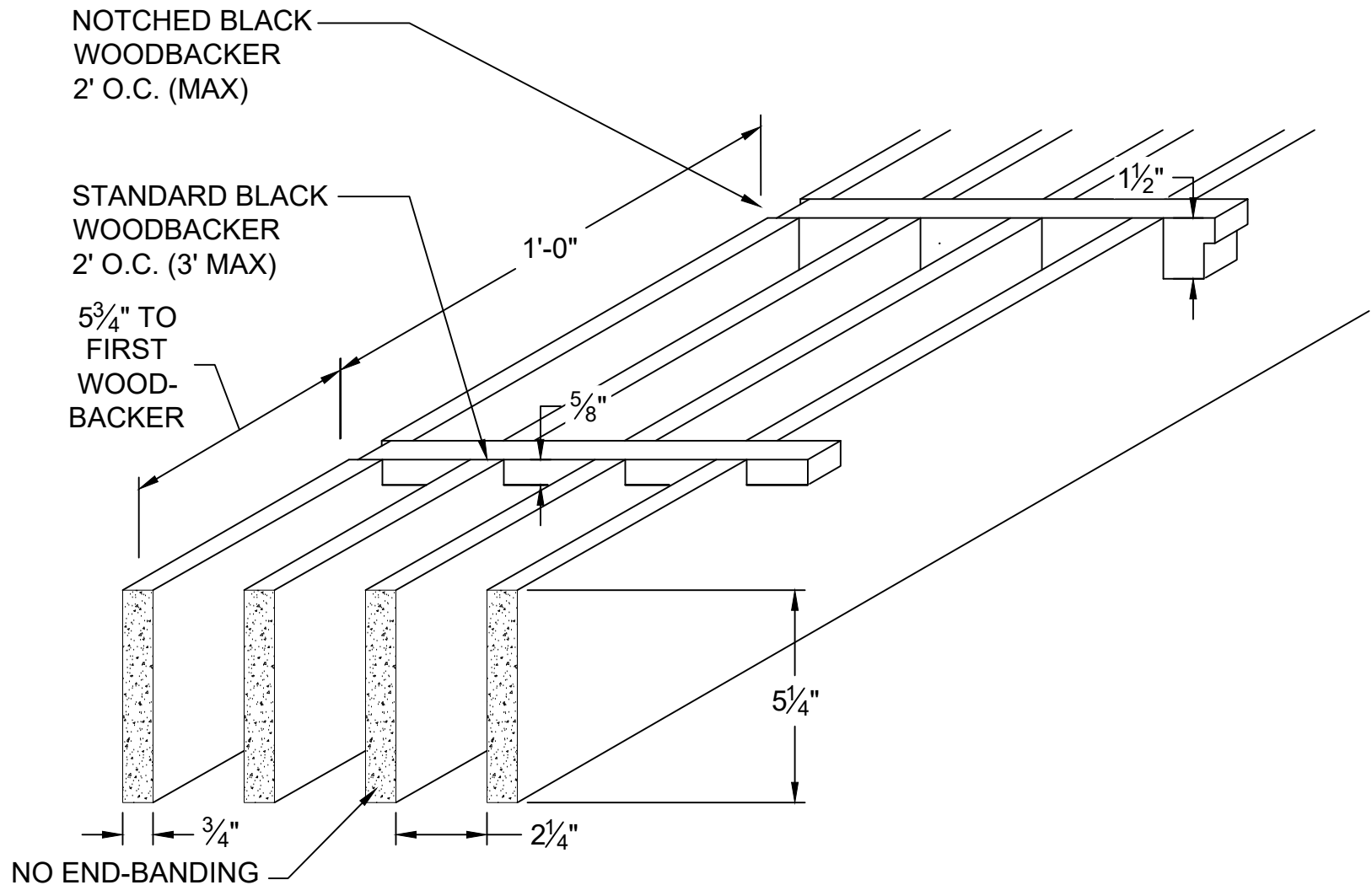
REVISION DATE:
DEC/10/2025

CHECKED BY:

TDA

DRAWING NUMBER:

DG 3-21-56NV



NOTE: Veneer Dura Grilles ARE MANUFACTURED IN LENGTHS OF 4' (ACTUAL 3'-11¹/₂"), 5' (ACTUAL 4'-11¹/₂"), 8' (ACTUAL 7'-11¹/₂") OR 10' (ACTUAL 9'-11¹/₂"). BLADE DEPTH AND THICKNESS MAY VARY TO MEET PROJECT REQUIREMENTS



RULON INTERNATIONAL
2000 Ring Way
St. Augustine, FL 32092

(904) 584-1400
info @ rulonco.com

www.rulonco.com

PROJECT:

ISSUE DATE:

DRAWN BY:

PROJECT NUMBER:

CAP

TITLE:

Dura Grille Notched Profile
DG 4-12-84NV Veneer

REVISION DATE:

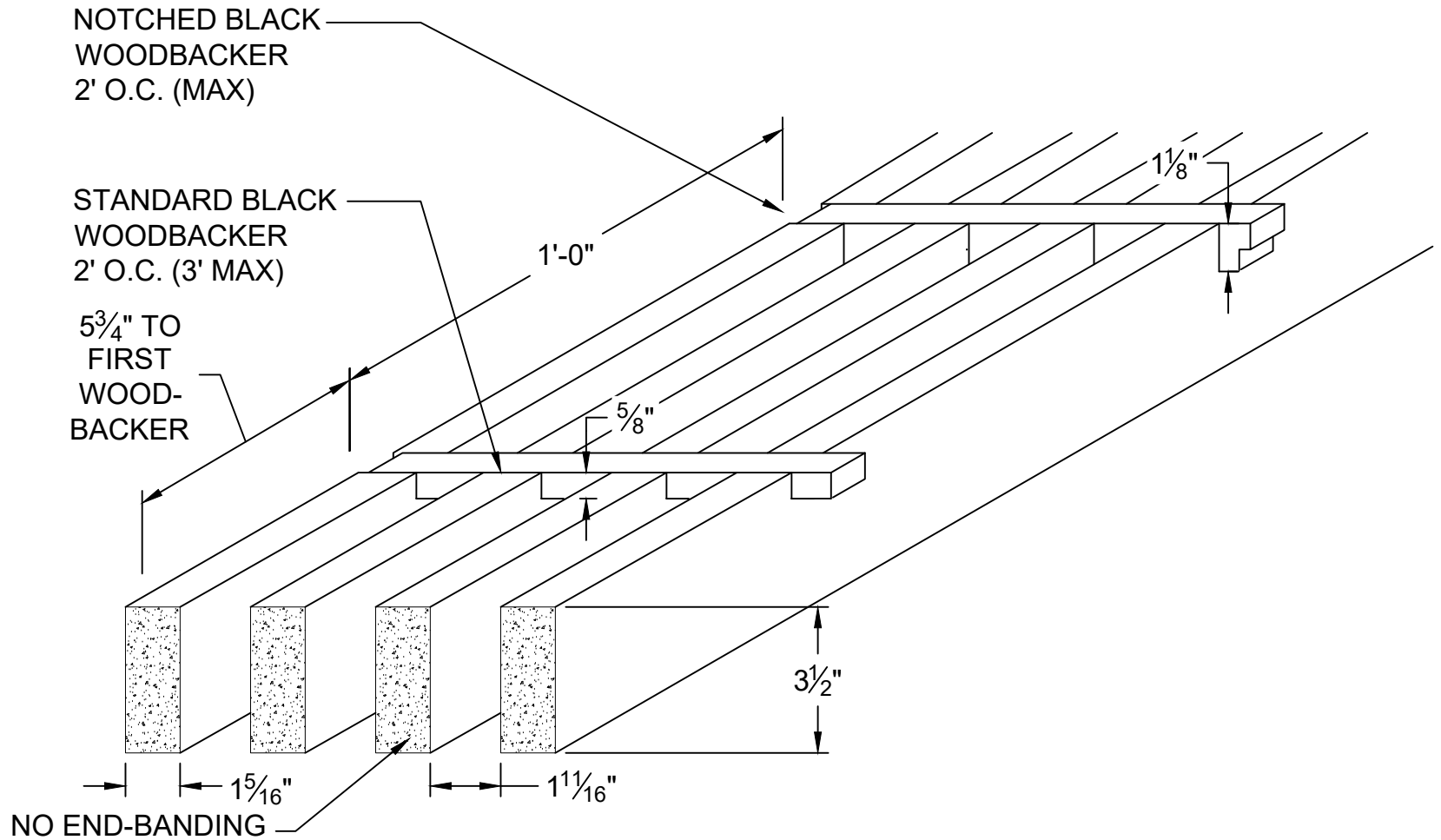
DEC/10/2025

CHECKED BY:

TDA

DRAWING NUMBER:

DG 4-12-84NV



NOTE: Veneer Dura Grilles ARE MANUFACTURED IN LENGTHS OF 4' (ACTUAL 3'-11¹/₂"), 5' (ACTUAL 4'-11¹/₂"), 8' (ACTUAL 7'-11¹/₂") OR 10' (ACTUAL 9'-11¹/₂"). BLADE DEPTH AND THICKNESS MAY VARY TO MEET PROJECT REQUIREMENTS



RULON INTERNATIONAL
2000 Ring Way
St. Augustine, FL 32092

(904) 584-1400
info @ rulonco.com

www.rulonco.com

PROJECT:

TITLE: Dura Grille Notched Profile
DG 4-21-56NV Veneer

ISSUE DATE:

REVISION DATE:
DEC/10/2025

DRAWN BY:

CAP

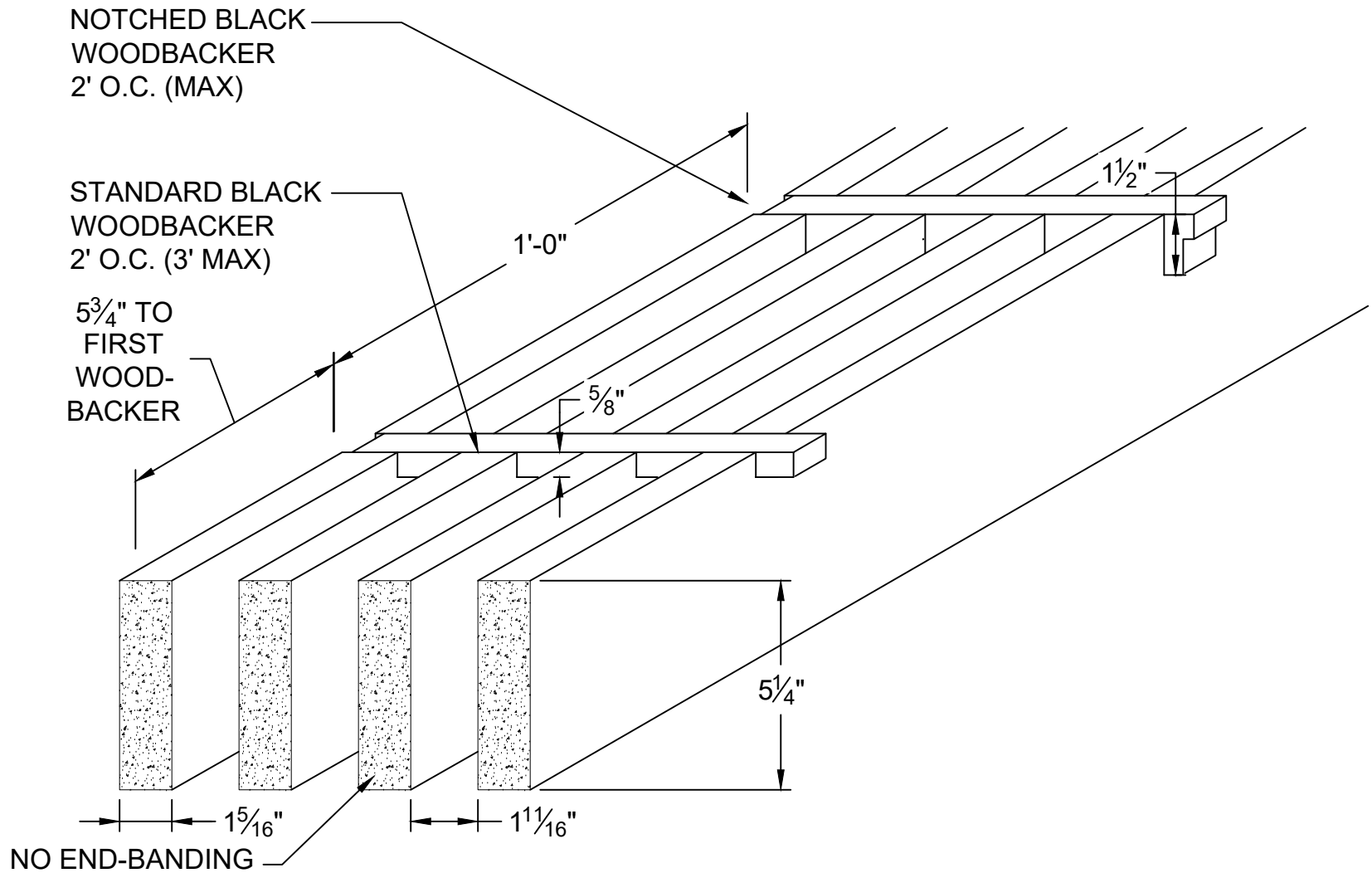
CHECKED BY:

TDA

PROJECT NUMBER:

DRAWING NUMBER:

DG 4-21-56NV



NOTE: Veneer Dura Grilles ARE MANUFACTURED IN LENGTHS OF 4' (ACTUAL 3'-11¹/₂"), 5' (ACTUAL 4'-11¹/₂"), 8' (ACTUAL 7'-11¹/₂") OR 10' (ACTUAL 9'-11¹/₂"). BLADE DEPTH AND THICKNESS MAY VARY TO MEET PROJECT REQUIREMENTS

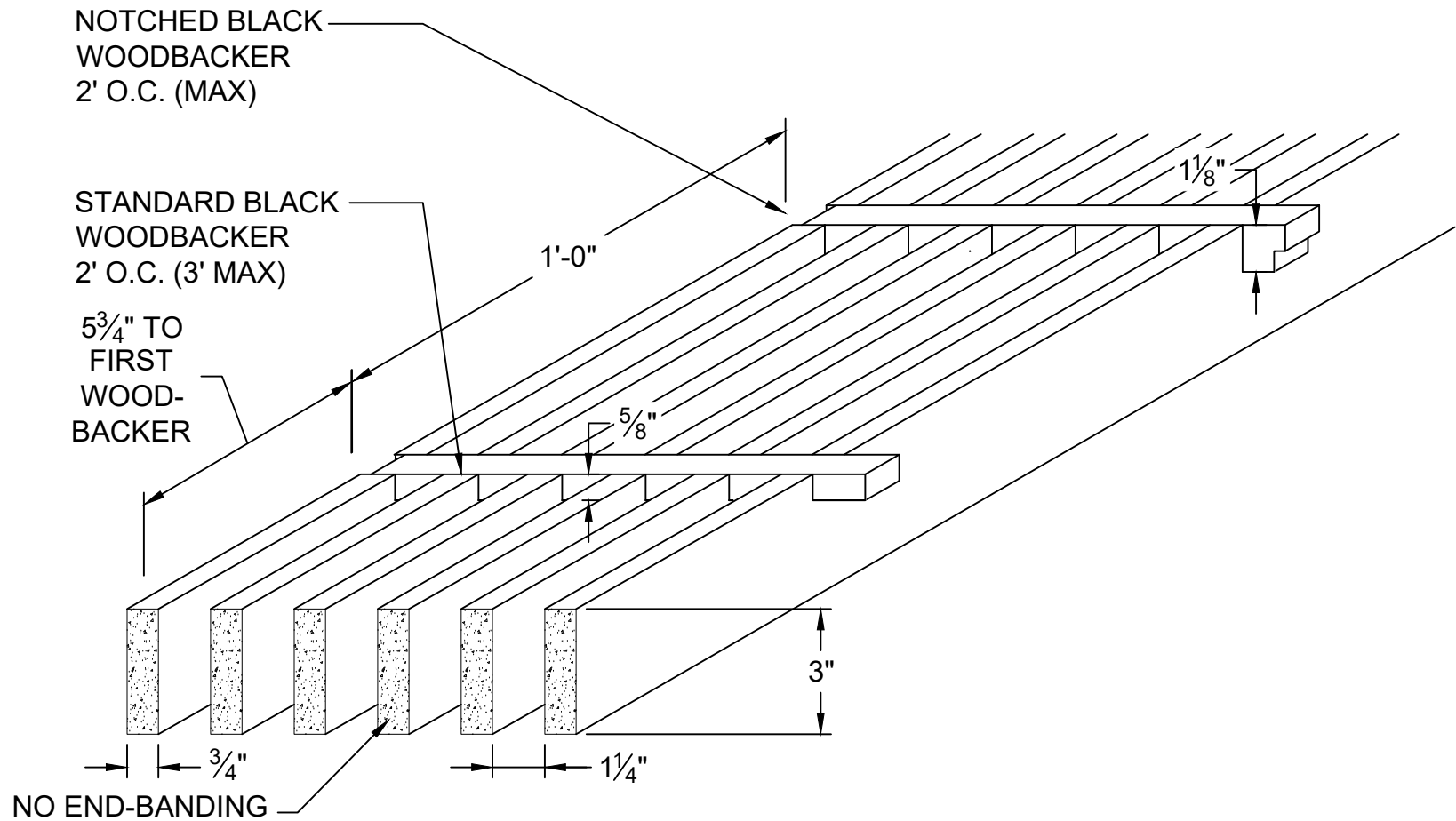


RULON INTERNATIONAL
2000 Ring Way
St. Augustine, FL 32092

(904) 584-1400
info @ rulonco.com

www.rulonco.com

PROJECT:	ISSUE DATE:	DRAWN BY: CAP	PROJECT NUMBER:
TITLE: Dura Grille Notched Profile DG 4-21-84NV Veneer	REVISION DATE: DEC/10/2025	CHECKED BY: TDA	DRAWING NUMBER: DG 4-21-84NV



NOTE: Veneer Dura Grilles ARE MANUFACTURED IN LENGTHS OF 4' (ACTUAL 3'-11¹/₂"), 5' (ACTUAL 4'-11¹/₂"), 8' (ACTUAL 7'-11¹/₂") OR 10' (ACTUAL 9'-11¹/₂"). BLADE DEPTH AND THICKNESS MAY VARY TO MEET PROJECT REQUIREMENTS



RULON INTERNATIONAL
2000 Ring Way
St. Augustine, FL 32092

(904) 584-1400
info @ rulonco.com

www.rulonco.com

PROJECT:

ISSUE DATE:

DRAWN BY:

PROJECT NUMBER:

CAP

TITLE:

Dura Grille Notched Profile
DG 6-12-48NV Veneer

REVISION DATE:

DEC/10/2025

CHECKED BY:

TDA

DRAWING NUMBER:

DG 6-12-48NV