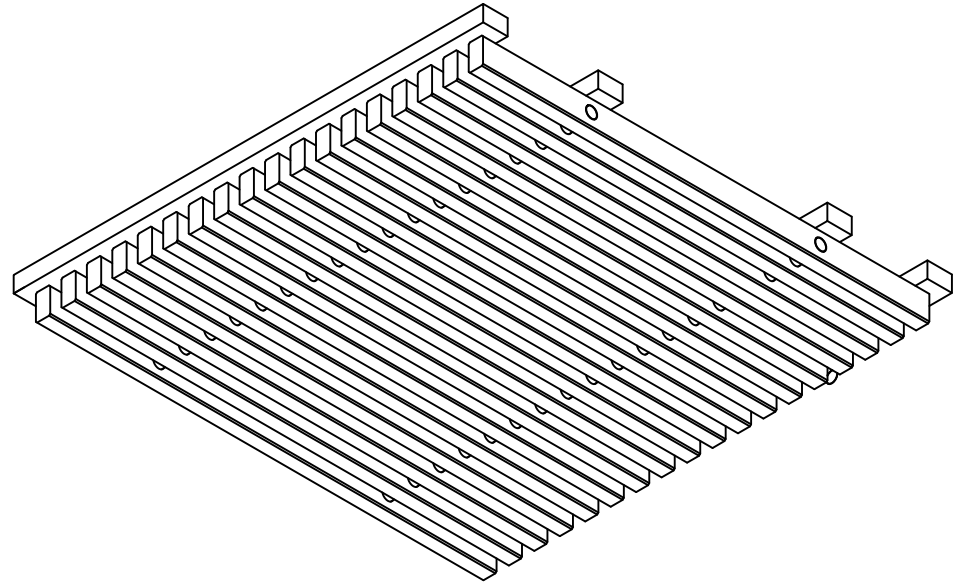


DRAWING # TITLE

CEILING DETAILS

- PGT-DW-001 Full Depth InTEGrille
PGT 7-12-32DW for $\frac{15}{16}$ " Grid
- PGT-WB-002 Full Depth InTEGrille
PGT 5-22-12W for $\frac{15}{16}$ " Grid
- PGT-DW-003 Full Depth InTEGrille
PGT 9-12-22DW for $\frac{9}{16}$ " Grid
- PGT-WB-004 Full Depth InTEGrille
PGT 6-22-12W for $\frac{9}{16}$ " Grid
- PGT-XX-001 Full Depth InTEGrille
Perimeter Detail - Side
- PGT-XX-002 Full Depth InTEGrille
Perimeter Detail - End



PGT 9-12-22DW for $\frac{9}{16}$ " Grid
2' x 2' Panel Shown



RULON INTERNATIONAL
2000 Ring Way
St. Augustine, FL 32092

(904) 584-1400
info @ rulonco.com

www.rulonco.com

PROJECT:

TITLE: InTEGrille Index

ISSUE DATE:

REVISION DATE:
MAR/14/2019

DRAWN BY:

CAP

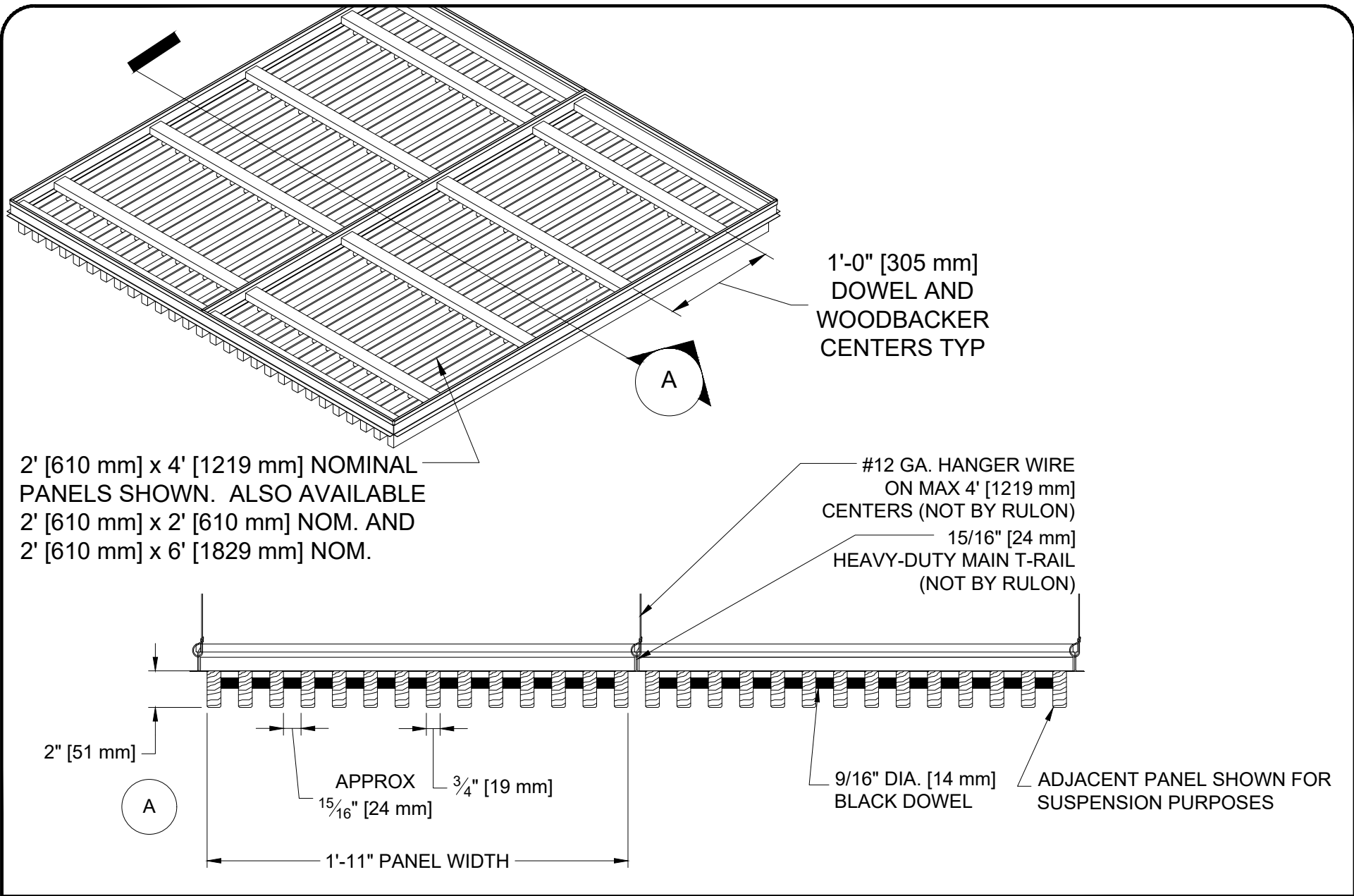
CHECKED BY:

TDA

PROJECT NUMBER:

DRAWING NUMBER:

PGTINDEX



RULON INTERNATIONAL
2000 Ring Way
St. Augustine, FL 32092

(904) 584-1400
info @ rulonco.com

www.rulonco.com

PROJECT:

TITLE: Full Depth InTEGrille
PGT 7-12-32DW for 15/16" Grid

ISSUE DATE:

REVISION DATE:
MAR/04/2025

DRAWN BY:

CAP

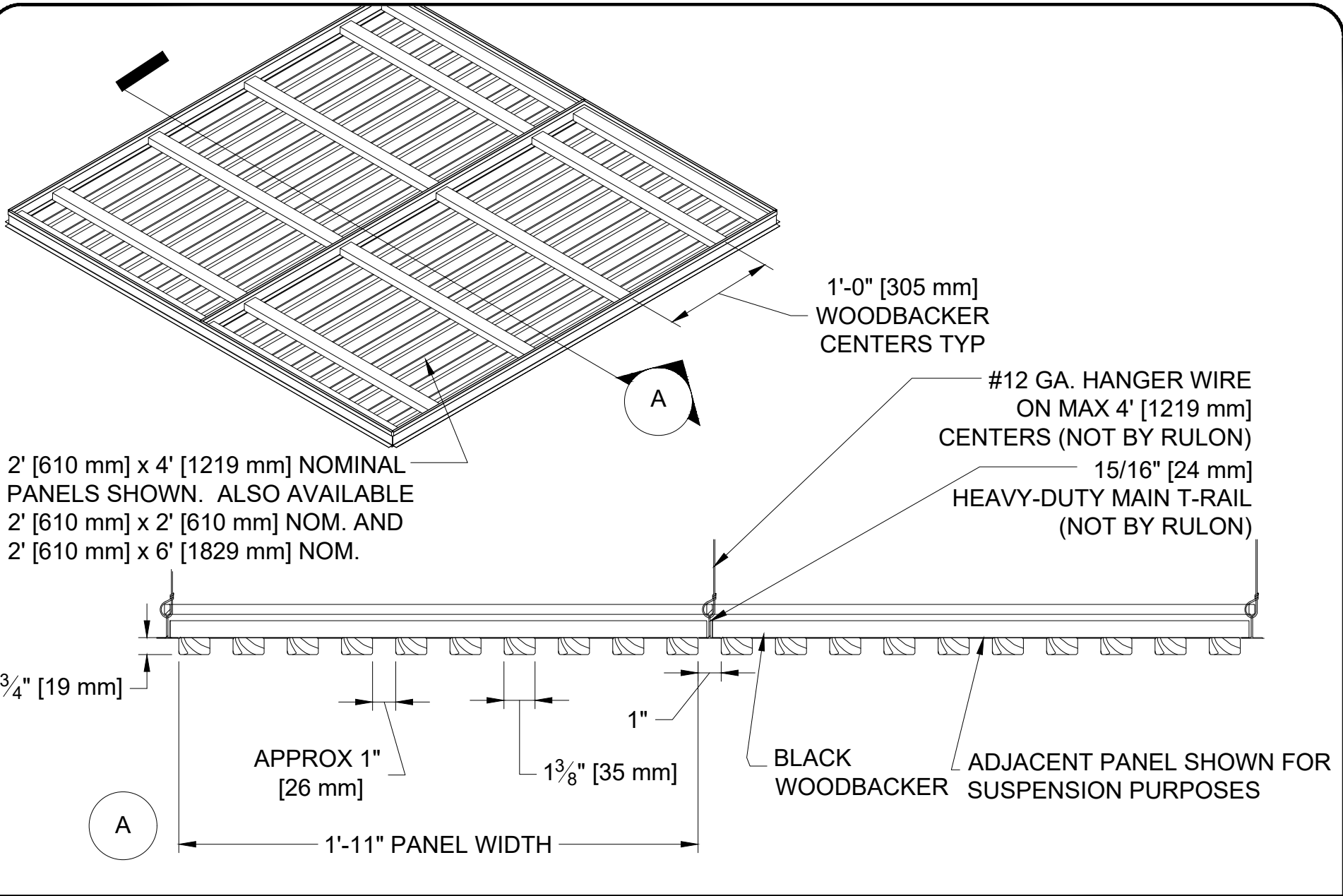
CHECKED BY:

TDA

PROJECT NUMBER:

DRAWING NUMBER:

PGT-DW-001



RULON INTERNATIONAL
2000 Ring Way
St. Augustine, FL 32092

(904) 584-1400
info @ rulonco.com

www.rulonco.com

PROJECT:

TITLE: Full Depth InTEGrille
PGT 5-22-12W for 15/16" Grid

ISSUE DATE:

REVISION DATE:
FEB/18/2025

DRAWN BY:

CAP

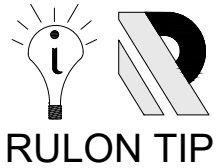
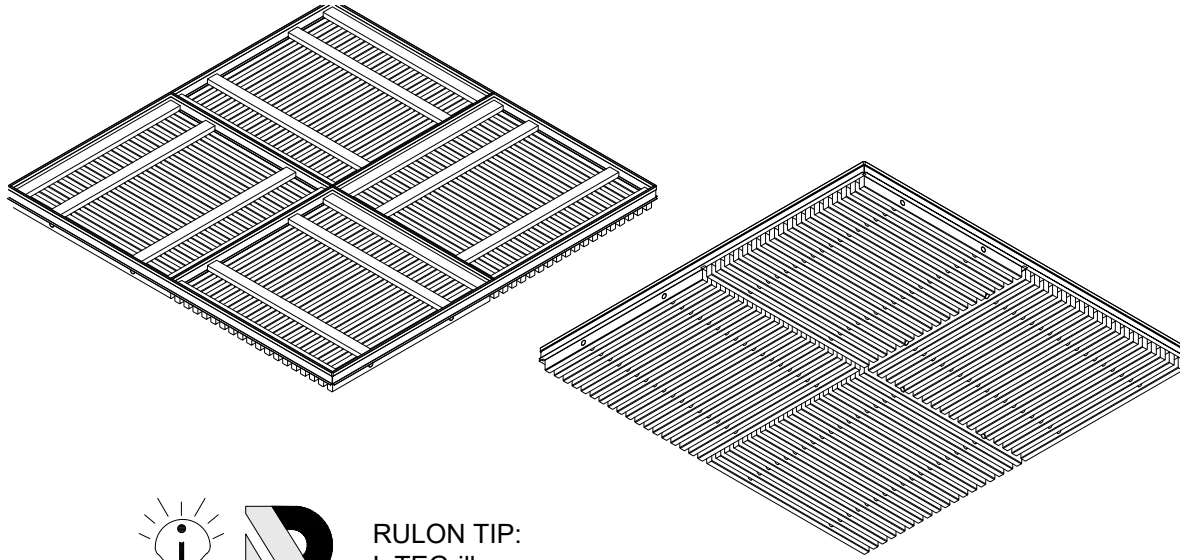
CHECKED BY:

TDA

PROJECT NUMBER:

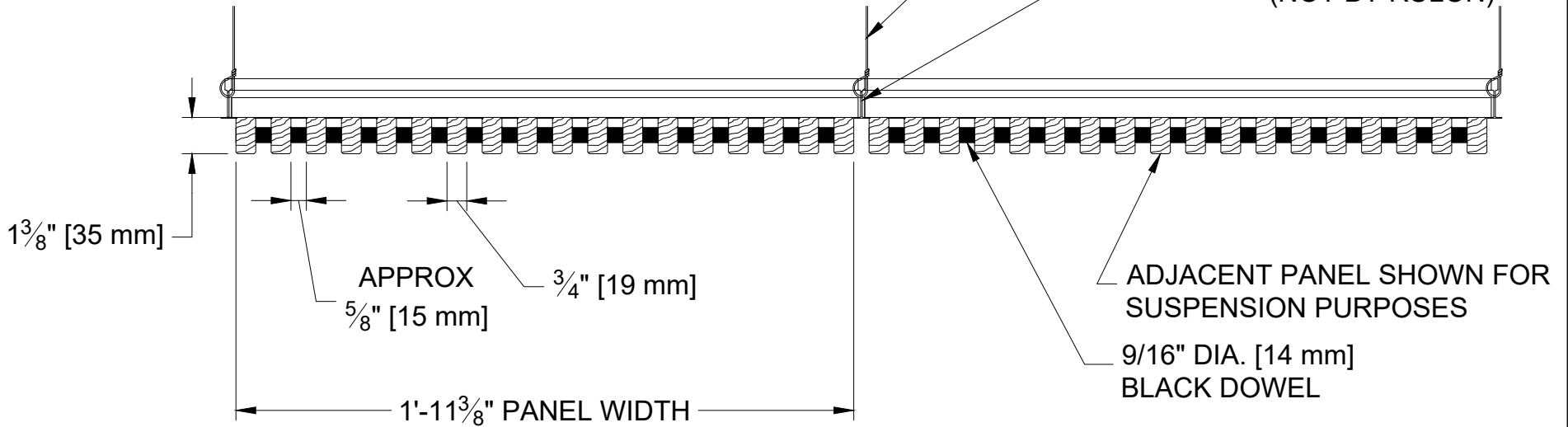
DRAWING NUMBER:

PGT-WB-002



RULON TIP:
InTEGrilles
MAY BE CONFIGURED IN A
VARIETY OF PATTERNS.

#12 GA. HANGER WIRE
ON MAX 4' [1219 mm]
CENTERS (NOT BY RULON)
9/16" [14 mm]
HEAVY-DUTY MAIN T-RAIL
(NOT BY RULON)



ADJACENT PANEL SHOWN FOR
SUSPENSION PURPOSES
9/16" DIA. [14 mm]
BLACK DOWEL



RULON INTERNATIONAL
2000 Ring Way
St. Augustine, FL 32092

(904) 584-1400
info @ rulonco.com

www.rulonco.com

PROJECT:

ISSUE DATE:

DRAWN BY:

PROJECT NUMBER:

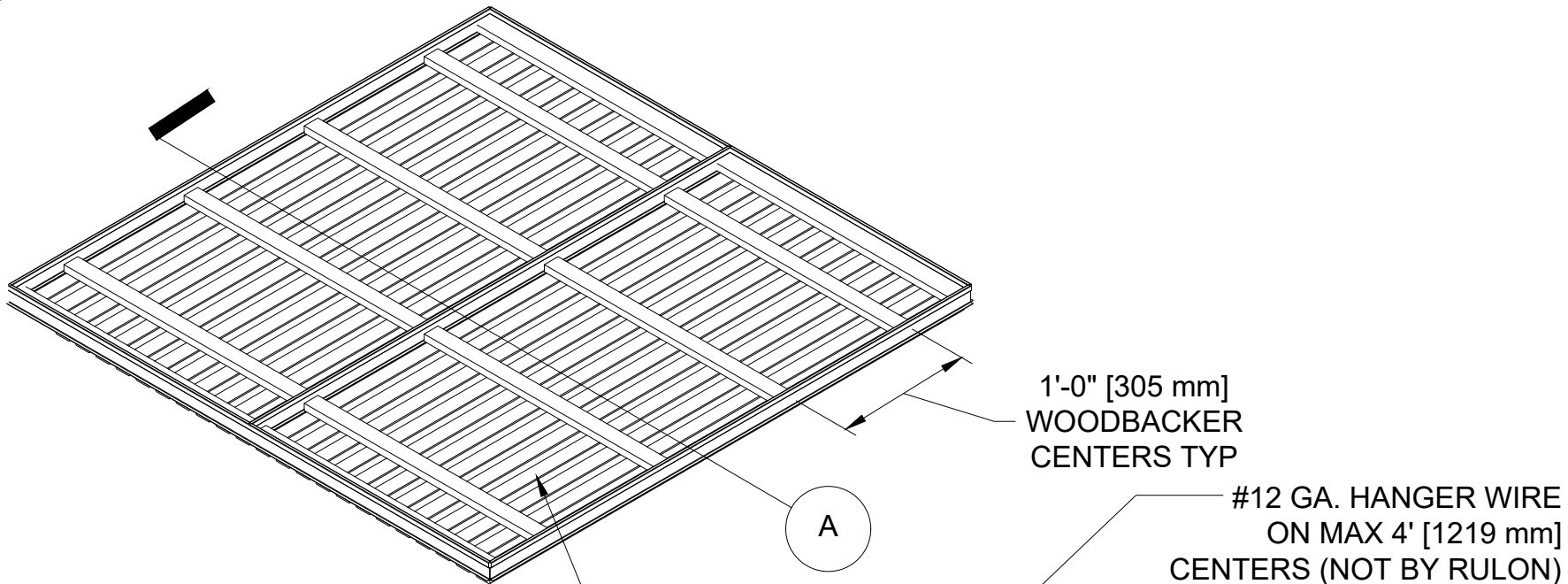
CAP

TITLE: Full Depth InTEGrille
PGT 9-12-22DW for 9/16" Grid

REVISION DATE:
FEB/18/2025

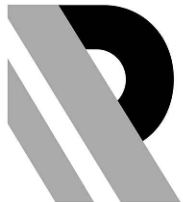
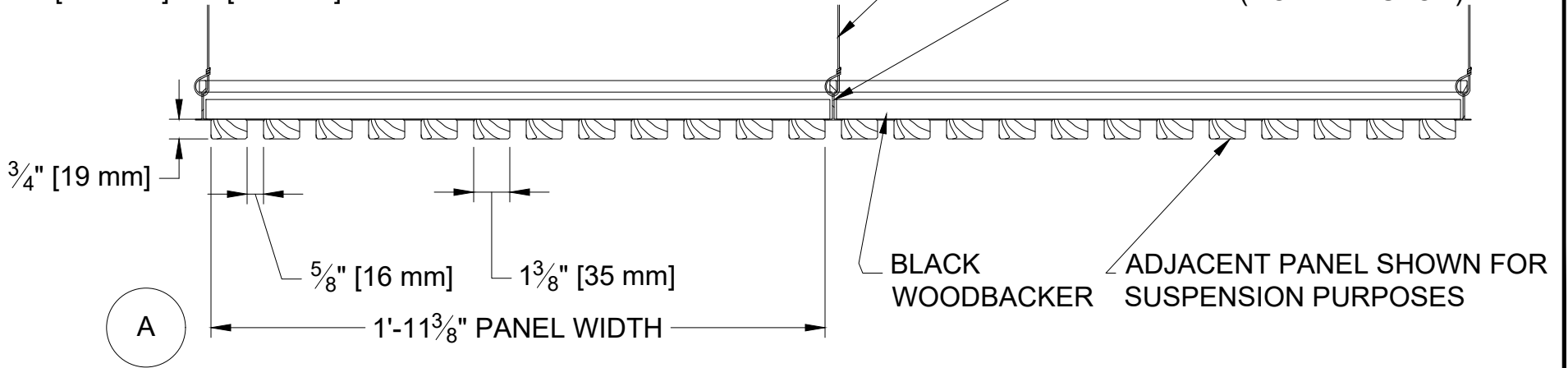
CHECKED BY:
TDA

DRAWING NUMBER:
PGT-DW-003



2' [610 mm] x 4' [1219 mm] NOMINAL PANELS SHOWN. ALSO AVAILABLE 2' [610 mm] x 2' [610 mm] NOM.

#12 GA. HANGER WIRE ON MAX 4' [1219 mm] CENTERS (NOT BY RULON)
 9/16" [14 mm] HEAVY-DUTY MAIN T-RAIL (NOT BY RULON)



RULON INTERNATIONAL
 2000 Ring Way
 St. Augustine, FL 32092

(904) 584-1400
 info @ rulonco.com

www.rulonco.com

PROJECT:

TITLE: Full Depth InTEGrille
 PGT 6-22-12W for 9/16" Grid

ISSUE DATE:

REVISION DATE:
 FEB/18/2025

DRAWN BY:

CAP

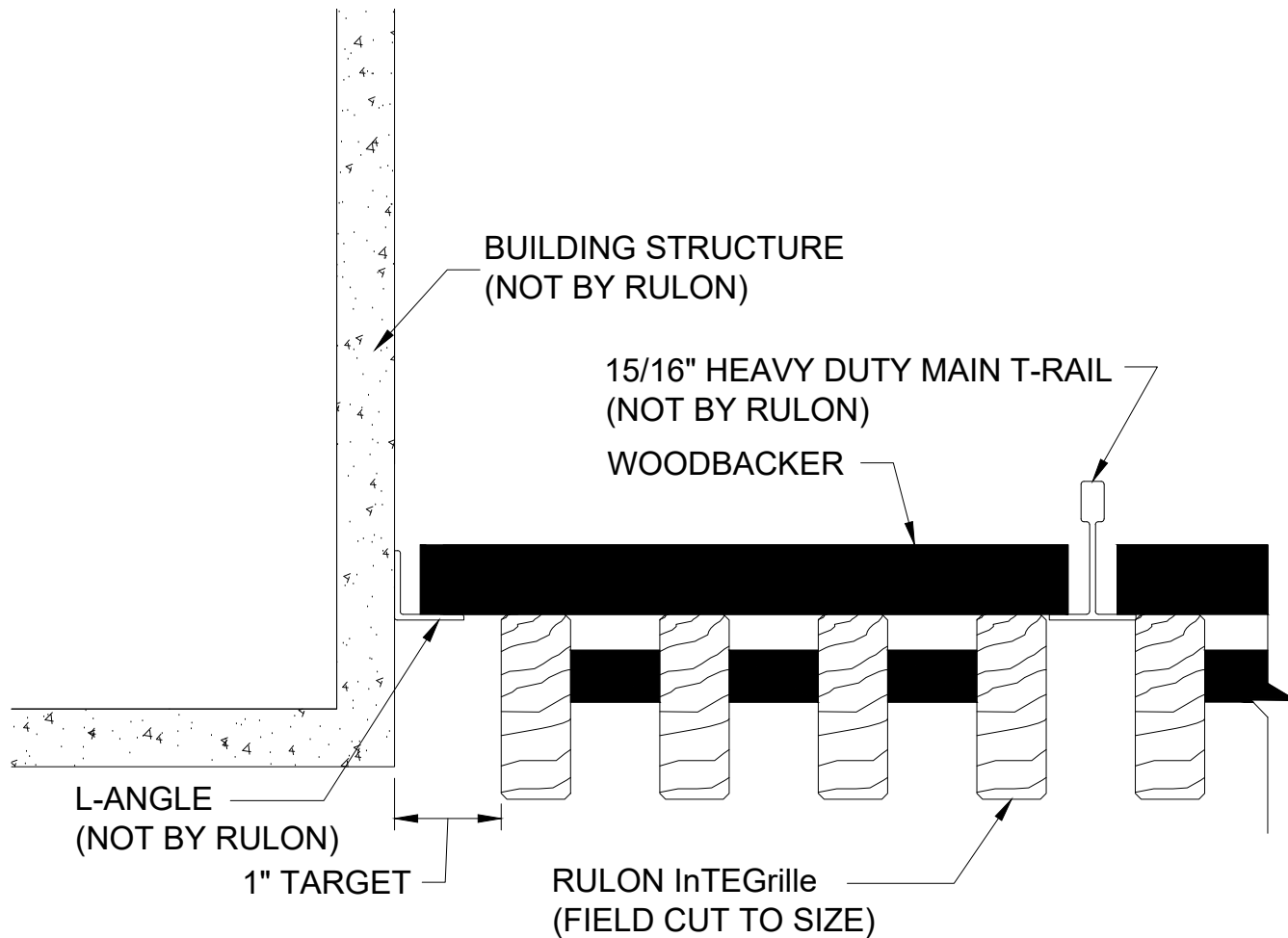
CHECKED BY:

TDA

PROJECT NUMBER:

DRAWING NUMBER:

PGT-WB-004



* FLEXIBLE ANGLE NEEDED
 FOR RADIUS SOFFITS



RULON INTERNATIONAL
 2000 Ring Way
 St. Augustine, FL 32092

(904) 584-1400
 info @ rulonco.com

www.rulonco.com

PROJECT:

ISSUE DATE:

DRAWN BY:

PROJECT NUMBER:

CAP

TITLE:

Full Depth InTEGrille
 Perimeter Detail - Side

REVISION DATE:

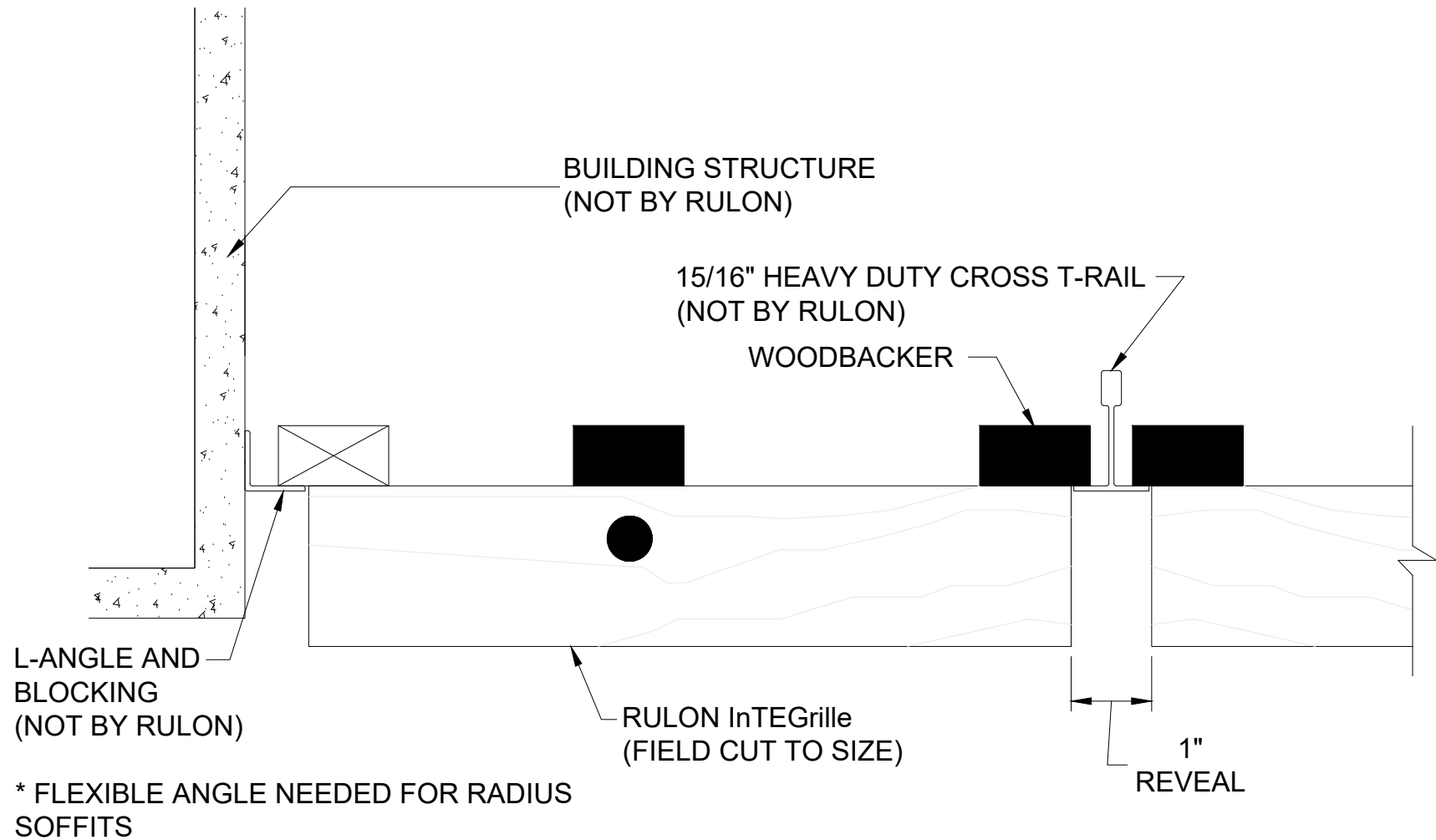
FEB/18/2025

CHECKED BY:

TDA

DRAWING NUMBER:

PGT-XX-001



RULON INTERNATIONAL
2000 Ring Way
St. Augustine, FL 32092

(904) 584-1400
info @ rulonco.com

www.rulonco.com

PROJECT:

TITLE: Full Depth InTEGrille
Perimeter Detail - End

ISSUE DATE:

REVISION DATE:
FEB/18/2025

DRAWN BY:

CAP

CHECKED BY:

TDA

PROJECT NUMBER:

DRAWING NUMBER:

PGT-XX-002