



Linear Closed Style  
Suspended Ceiling  
Installation Guide

# Rulon Suspended Linear Closed Wood Ceiling Installation Guide

---

## **Receipt and Storage:**

- a. All material shall be delivered to the project site in the original, labeled, unopened packages. Keep packages of components unopened until it is time to acclimate to the building conditions
- b. Material shall be stored flat and level in a fully enclosed space. **DO NOT Store Rulon products in direct sunlight.** Seventy-two hours before beginning ceiling installation, wood strips must be moved into the room where the HVAC system is operating and the packaging shall be opened. This is to allow the boards to adjust to the room environment. Wood strips are to be stored off the floor.
- c. Care in handling must be exercised to avoid damage.

## **Before You Begin Installation:**

- a. Ensure that all necessary tools are available (see below)
- b. Check Wall components to ensure all items required are at hand (see Page 2)
- c. Review this guide in its entirety. If you have any questions, call Rulon Company before you start the installation
- d. Installation shall be done only when the temperature and humidity closely approximate the interior conditions that will exist when the building is occupied. The heating and cooling systems shall be operating before, during, and after installation, with the humidity of the interior spaces maintained between 25% and 55%, temperature between 60 to 90 degrees F.
- e. It is important that area have proper ventilation, especially in high moisture areas. There shall be no excessive build up of heat in the space.
- f. Prior to the start of installation, all exterior windows and doors are to be in place, glazed, and weather-stripped. The roof is to be watertight, and all wet trades' work is to be completed, and thoroughly dry.
- g. Mechanical, electrical, and other utility service installations above the ceiling plane shall have been completed. No materials should rest or wrap around, the ceiling suspension components or connecting hangers.

## **If You Need Further Assistance:**

If you have any questions, or if you encounter a situation not covered by this installation guide, contact the Rulon Engineering Department.  
Phone:904-584-1400

## **Tools and Equipment:**

- Rulon Clamping Tool
- Standard leveling devices
- Jamb / Undercut saw for trimming ceiling at perimeter
- Saber saw
- Miter saw
- Nail gun

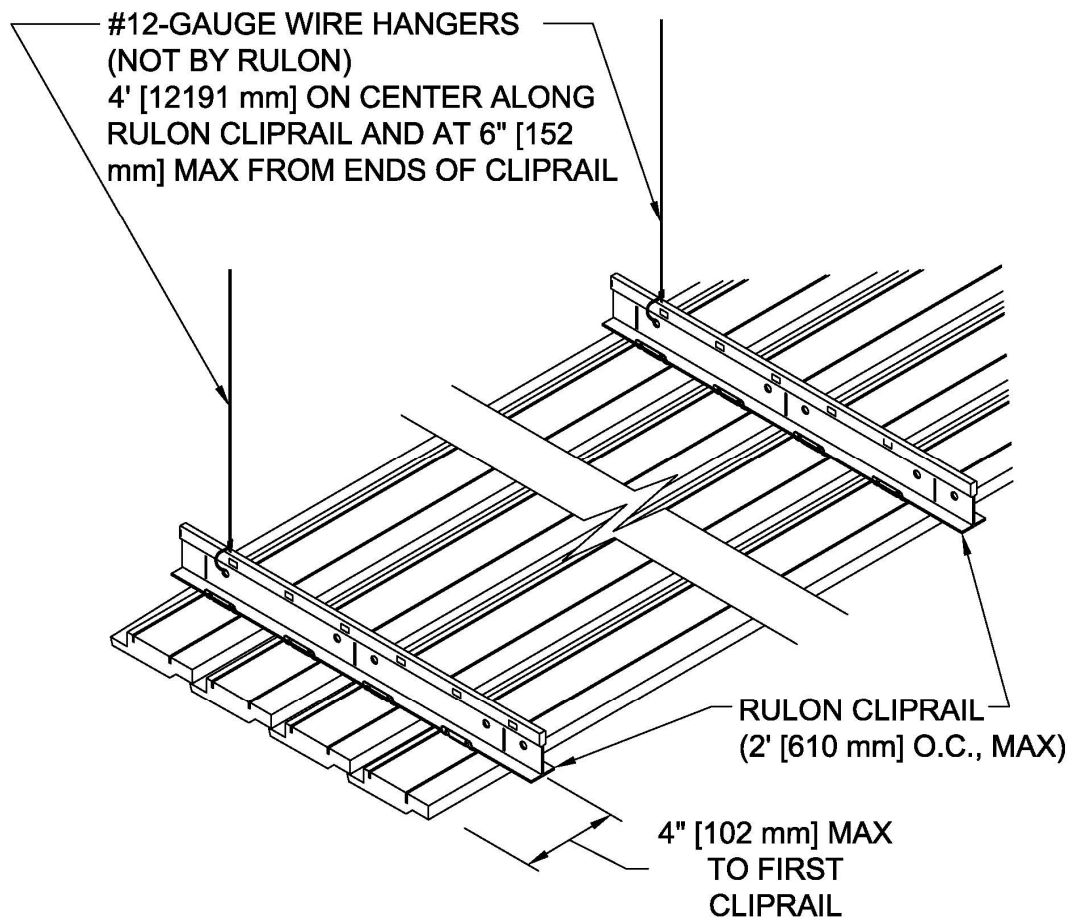
# Rulon Suspended Linear Closed Wood Ceiling Installation Guide

---

- Screw gun
- Rubber or cushioned mallet

# Rulon Suspended Linear Closed Wood Ceiling Installation Guide

---



## **Ceiling Components:**

### **Supplied by Rulon:**

- Ceiling Boards
- Cliprails
- Perimeter and border trim (when specified)
- Touch-up finish

### **Supplied by Others:**

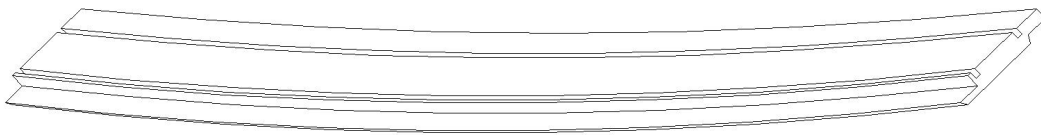
- #12-Gauge wire
- Hanger Inserts
- 1½" [38 mm] finishing nails
- #6 – 9/16" sharp point screws

# Rulon Suspended Linear Closed Wood Ceiling Installation Guide

---

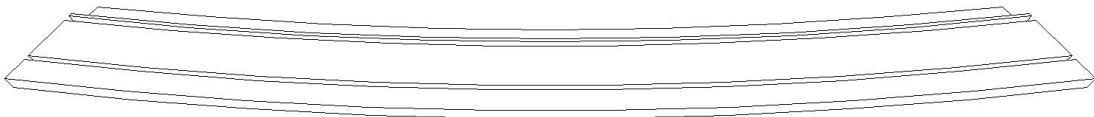
## **Wood Conditions:**

- a. Boards are generally random length with tongue-and-groove ends.
- b. If boards were ordered in nominal fixed lengths due to the areas being less than ten feet (10' [3048 mm]) across, they will be provided without tongue-and-groove ends and require field trimming.
- c. **Bowed Boards:** Such boards can be used with Rulon's cliprail system. The installer needs to firmly seat the tongue-and-groove end and then snap the clip into the slots in the back of the board.



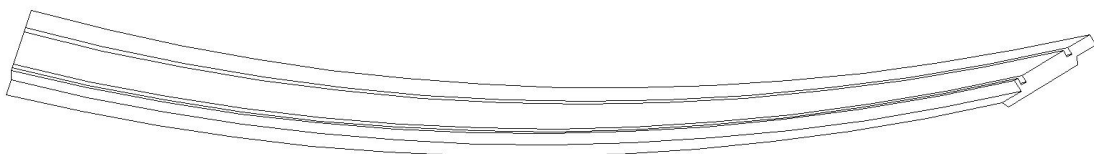
BOWED BOARD

- d. **Curved Boards:** These boards can be cut and used as beginning or ending boards.



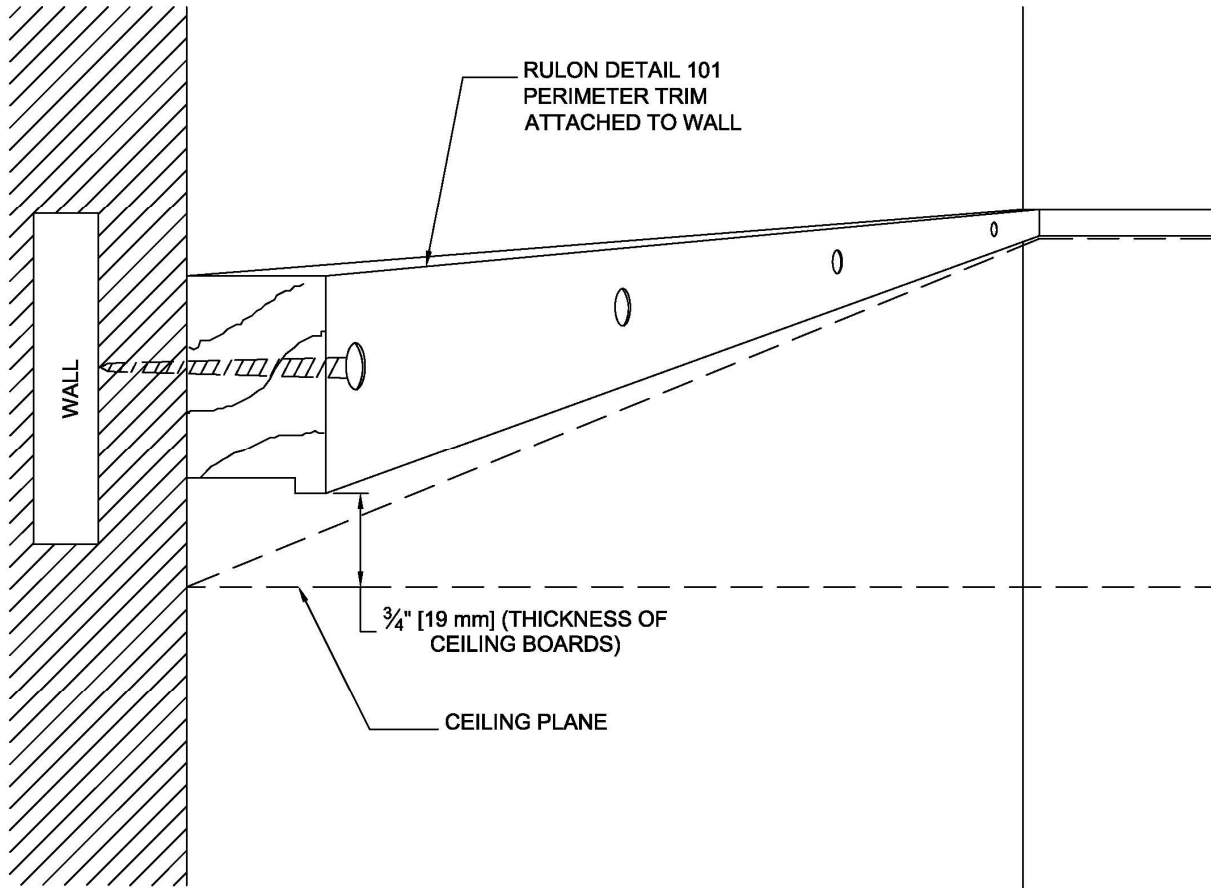
CURVED BOARD

- e. **Twisted Boards:** These boards should not be installed. If you should run short of boards due to having some of these boards, save them. Rulon will replace at no charge.



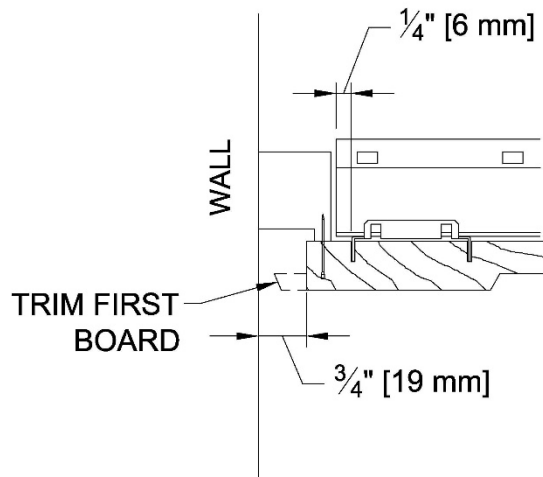
TWISTED BOARD

# Rulon Suspended Linear Closed Wood Ceiling Installation Guide

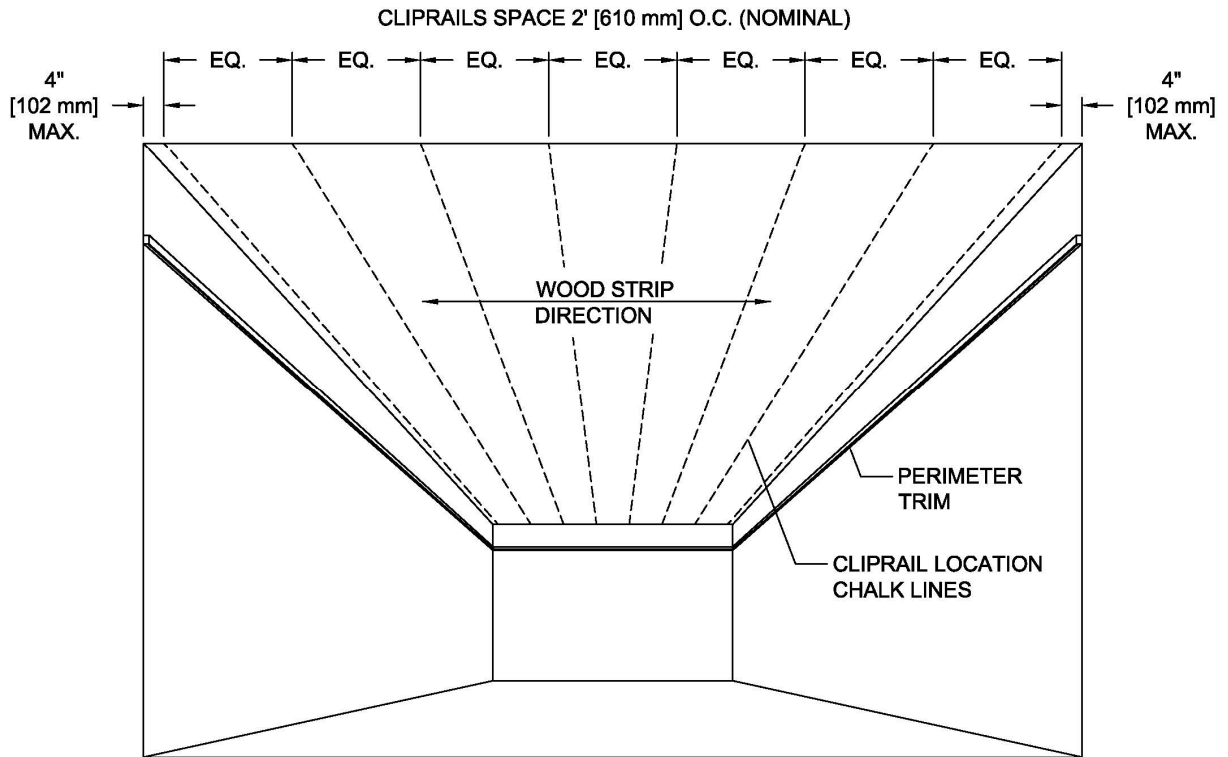


## **Step 1: Perimeter Installation**

Establish the ceiling height with laser, water-level, or other appropriate method. Mark location. Install border material so that the bottom of the trim is 3/4" [19 mm] above the ceiling plane.



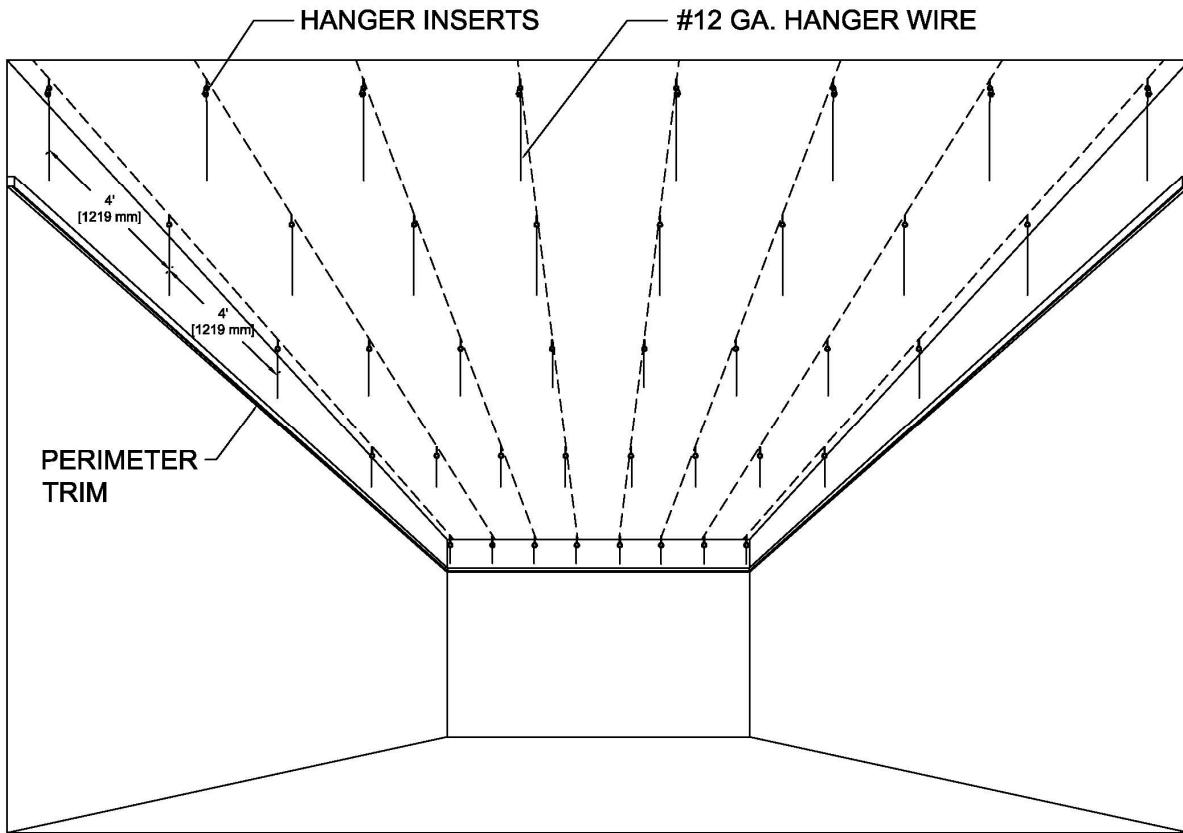
# Rulon Suspended Linear Closed Wood Ceiling Installation Guide



## **Step 2: Cliprail Placement**

Mark cliprail locations. Cliprails shall be located at 2' [610 mm] (nominal) O.C. starting 4" [102 mm] from one wall, and ending within 4" [102 mm] of the opposite wall. Cliprails shall run perpendicular to the direction of the wood strips.

# Rulon Suspended Linear Closed Wood Ceiling Installation Guide

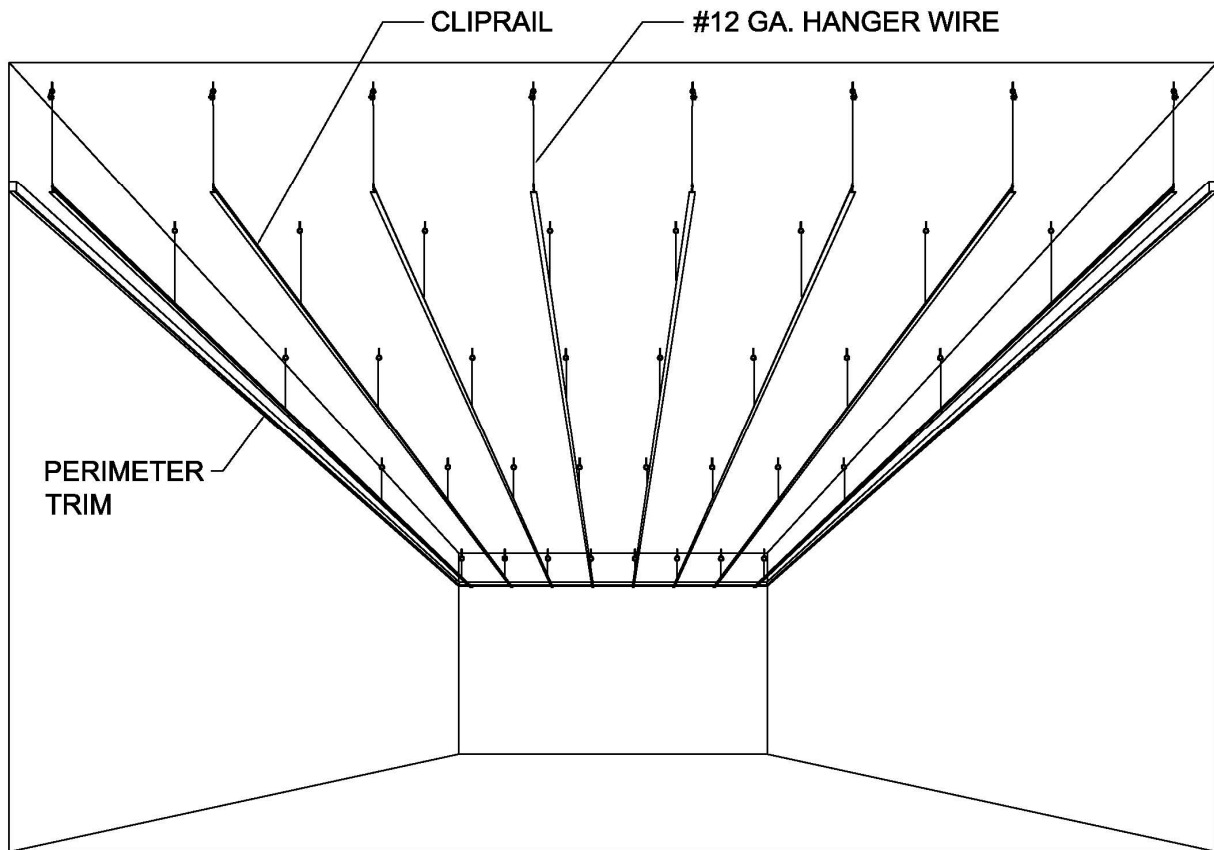


## **Step 3: Attaching Hangers**

Install hanger inserts (i.e. screw eyes, star anchors, or eye pins shot or hammered into building structure or clips attached to beam flanges) at 4' [1219 mm] O.C. Hang #12-ga. wire from the inserts. Wires need to be hung directly from building structure, unless otherwise covered in the Rulon shop drawings, or reviewed and approved by the Rulon Engineering Department.

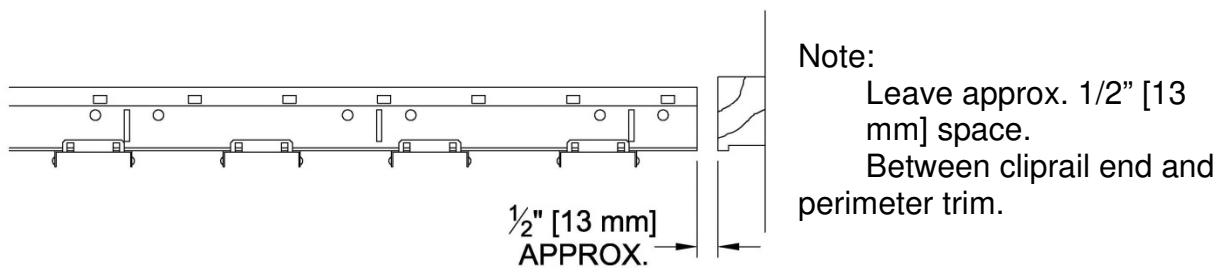


# Rulon Suspended Linear Closed Wood Ceiling Installation Guide



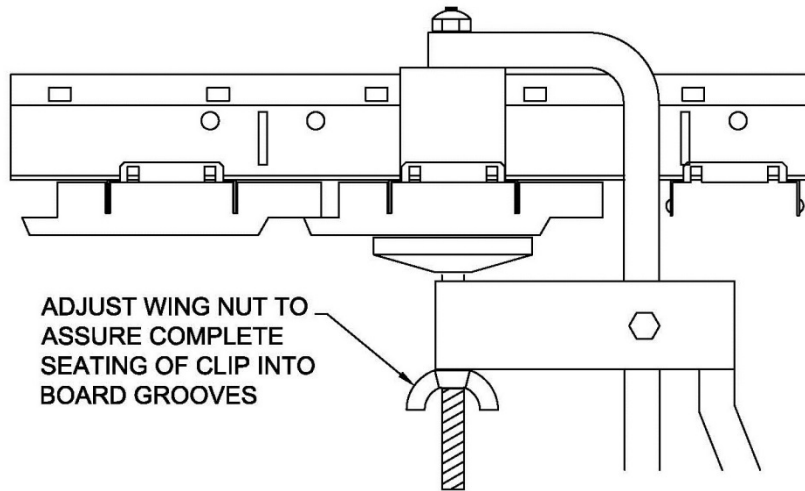
## **Step 4: Cliprail Suspension**

Hang cliprails from ceiling hangers. Level. At cliprail junctions, insert one cliprail into the end of the other.



# Rulon Suspended Linear Closed Wood Ceiling Installation Guide

## **Step 5: Ceiling Board Attachment**



Beginning at one wall, connect the first board to the cliprails. The contractor shall use the Rulon clamping tool to snap wood strips onto cliprails. The clips, which are factory-attached to the cliprail, have projections that insert into the grooves cut into the back side of the wood strips. Proper tool adjustment is important to ensure that the clips achieve a deep seat within the wood grooves.

Installation shall proceed in sequence, from one wall to the opposite side.

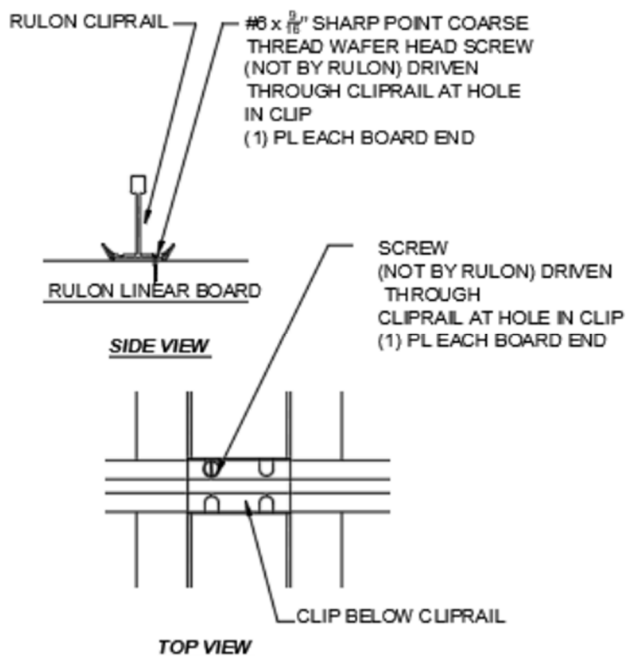
### **Note:**

It is standard practice to screw tight -all boards onto the cliprail. This is done after the boards have been snapped in place with the clamping tool. It is recommended for the installer to use a #6 x 9/16" long sharp point screw (NOT self tapping), driven through the cliprail into the board below, at one of the openings in the clip (see illustrations at left). As a minimum, a screw should be used at each end of the board, and also at the center if needed, drawing it tightly against the cliprail.

### **Special:**

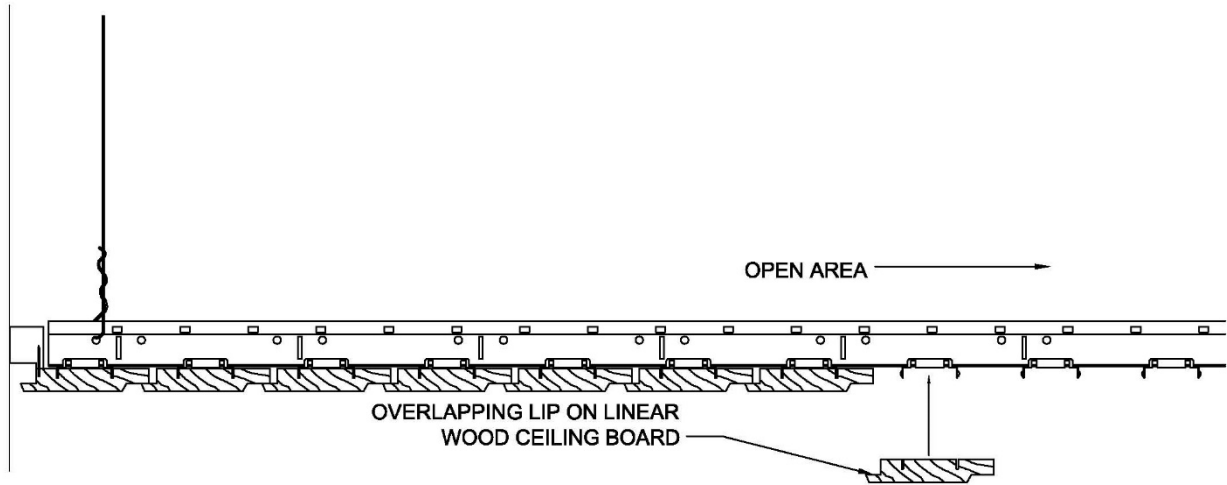
Some hardwoods may require pre-drilling for back screwing. Heavy, dense woods, such as Ipe, will require a screw at each cliprail location.

**Special:** Softwoods require screws at every cliprail.



# Rulon Suspended Linear Closed Wood Ceiling Installation Guide

---

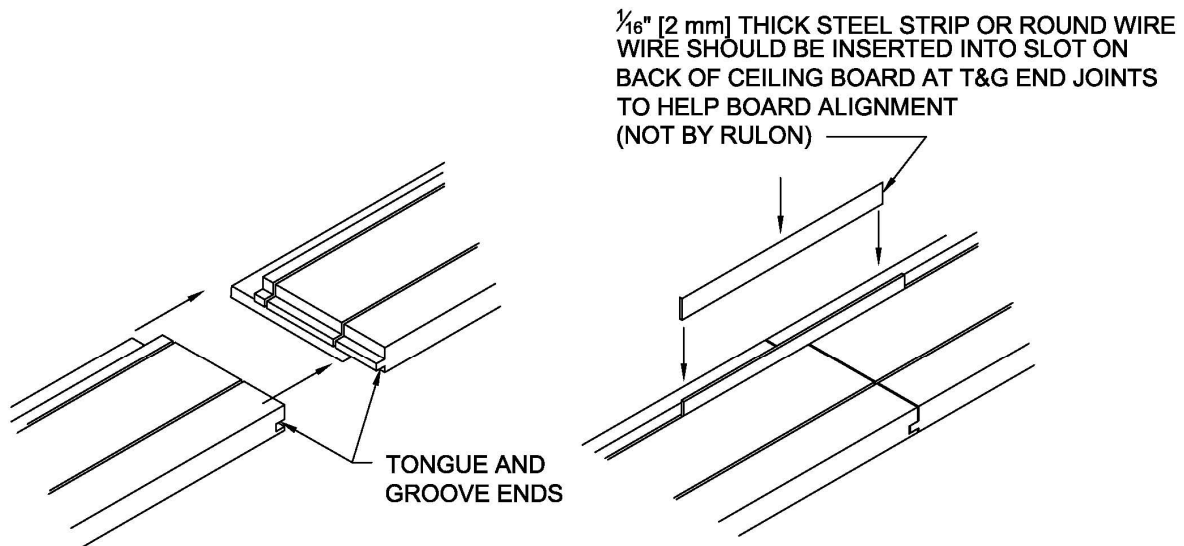


## **Step 6: Ceiling Board Installation Sequence**

Install the wood ceiling strips with the overlapping edge pointing away from the area to be filled. The ceiling should be leveled, as needed, as the boards are installed.

# Rulon Suspended Linear Closed Wood Ceiling Installation Guide

---



**INSTALLATION TIP:**  
ONLY ONE (1) STEEL STRIP OR WIRE PIECE IS NEEDED AT EACH CONNECTION. INSTALL WITH CLAMPING TOOL. A FINISH NAIL MAY ALSO BE USED.

## **Step 7: Ceiling Board Joints**

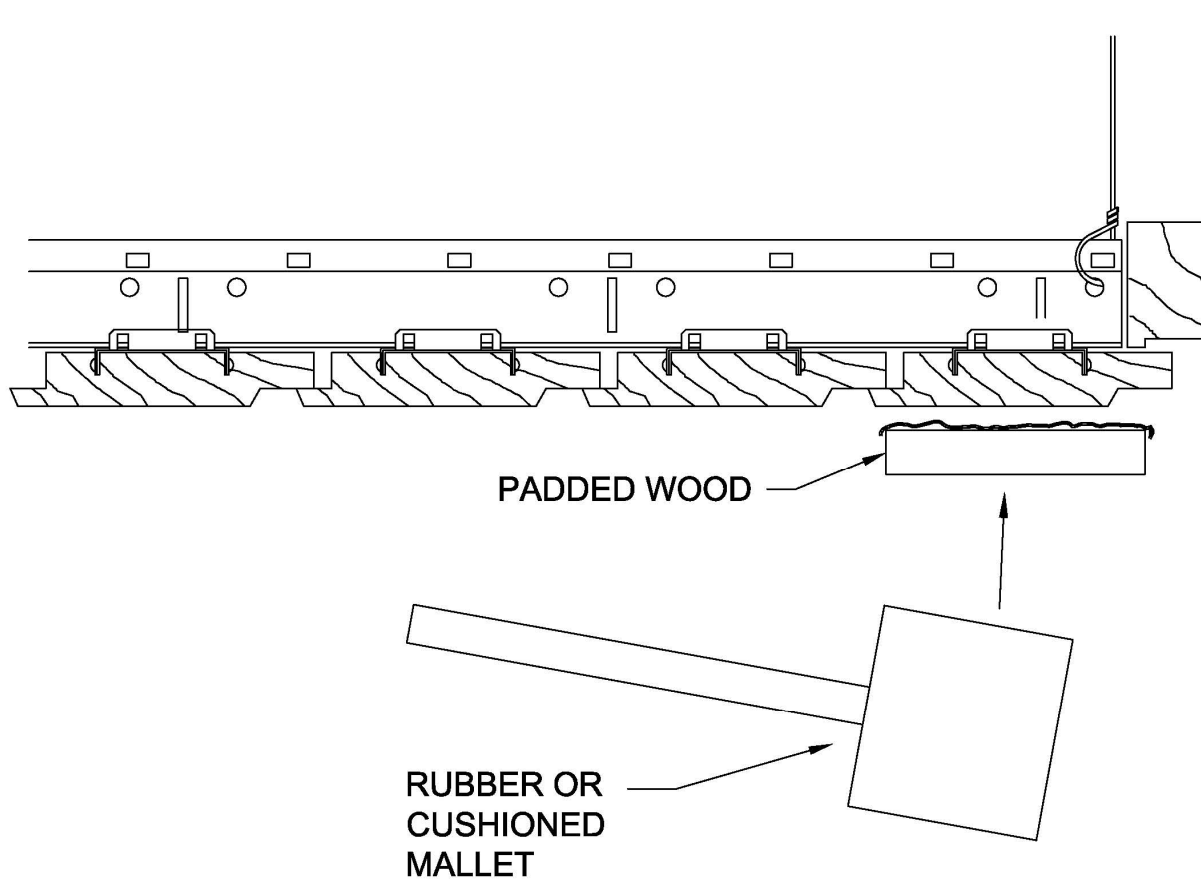
When boards are random lengths with tongue-and-groove ends, be sure that the tongues are firmly seated into the grooves. Where necessary, to ensure a tight connection, insert a corrugated fastener, or piece of tight-fitting, stiff material, into the groove across both boards.

### **Note:**

It is not necessary for joints to occur under the cliprail. The tongue-and-groove end connection gives sufficient support to the wood strips.

# Rulon Suspended Linear Closed Wood Ceiling Installation Guide

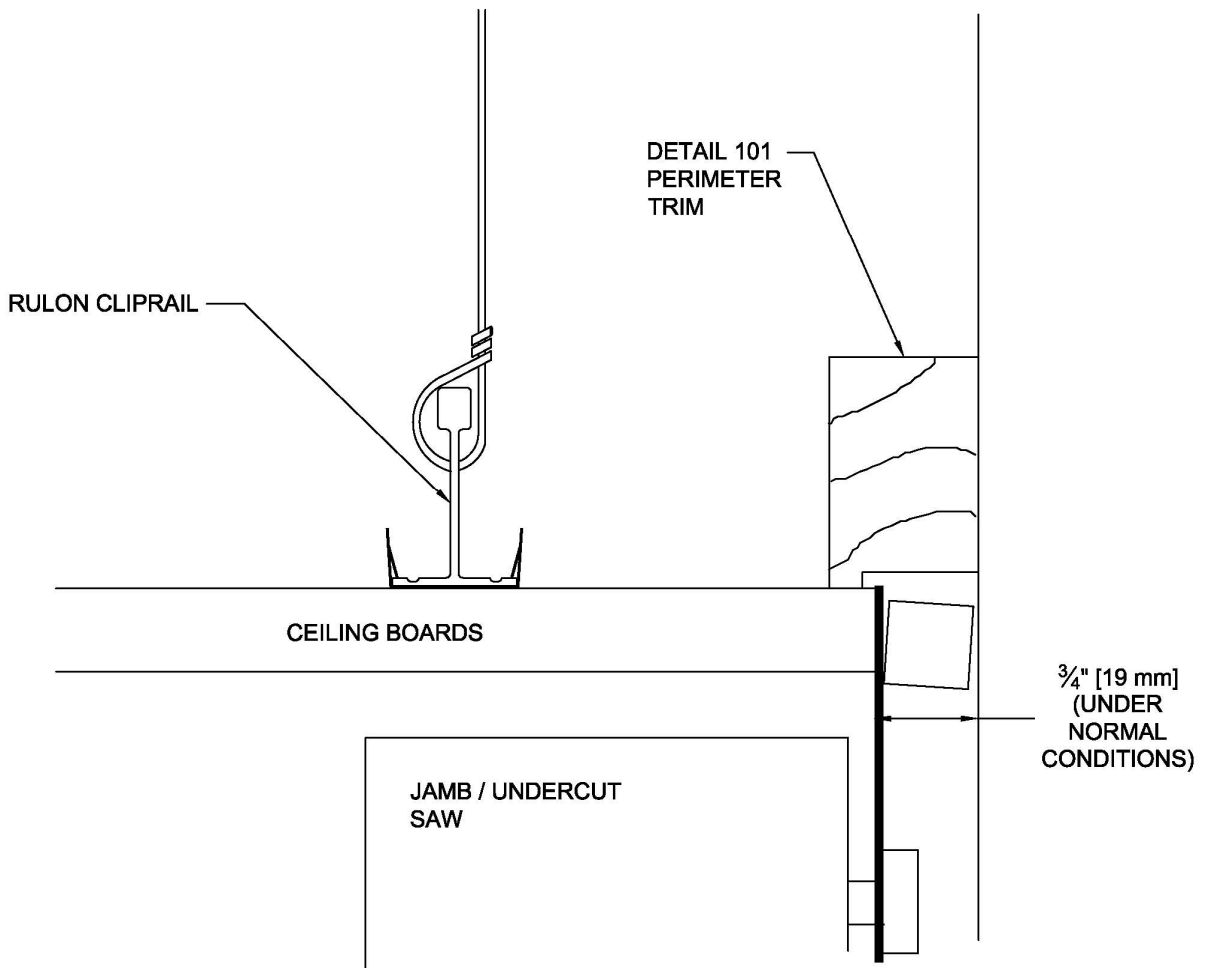
---



## **Step 8: Installation of Final Ceiling Board**

The last row of boards is NOT installed using the clamping tool. Install these boards by tapping the clip tangs into the grooves on the backside of the board using a rubber or cushioned mallet, with a piece of padded wood, to prevent marring of the ceiling board.

# Rulon Suspended Linear Closed Wood Ceiling Installation Guide

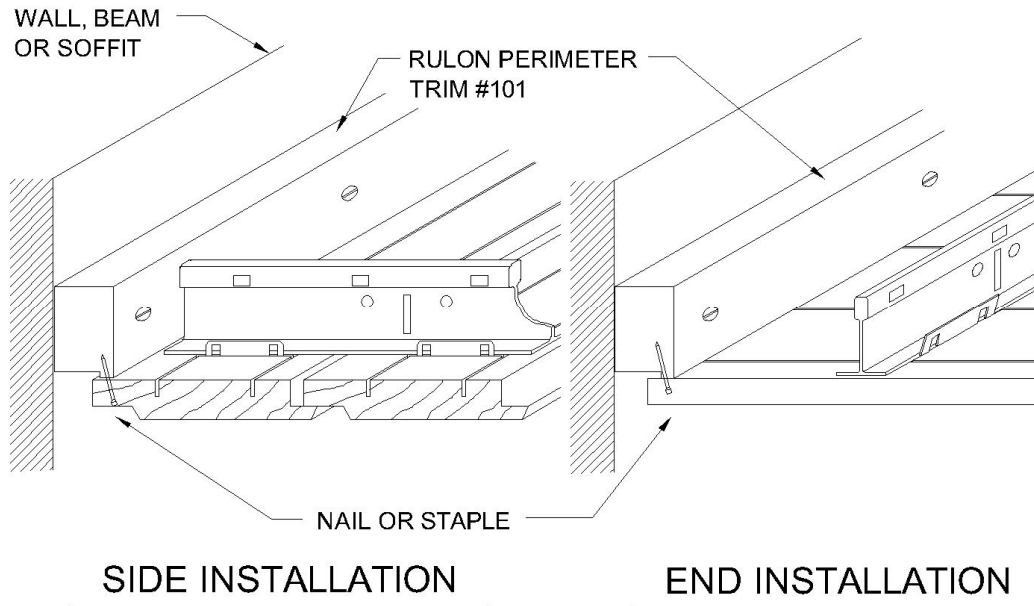


## **Step 9: Trimming Boards at Perimeter**

After all wood strips have been installed, the ceiling boards can be trimmed to achieve a uniform reveal width at the perimeter. A small jamb or undercut saw, set to allow cuts within 3/4" [19 mm] of the wall, is needed. **Use provided touch-up finish to seal the cut ends of all boards. Use provided touch-up finish to seal the cut ends of all boards. For Exterior Applications, cut ends must be touched up thoroughly with Spar Urethane finish to prevent moisture infiltration.**

# Rulon Suspended Linear Closed Wood Ceiling Installation Guide

---



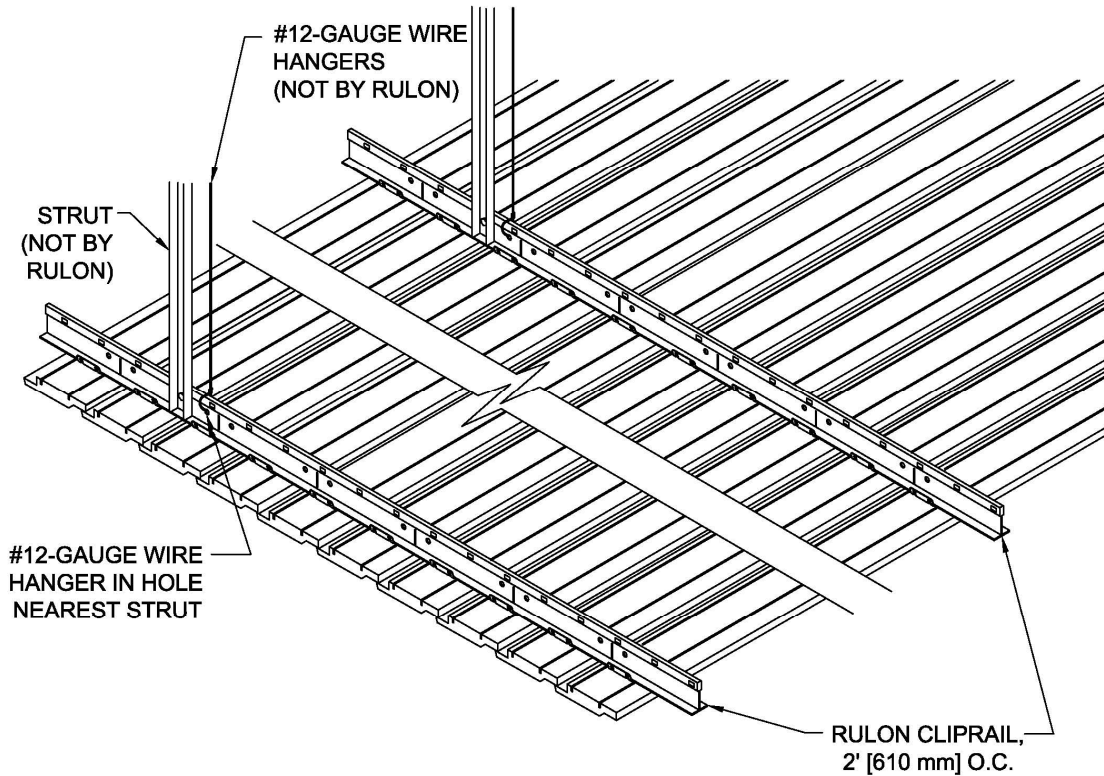
## **Step 10: Attachment at Perimeter**

For additional rigidity, nail the ends of the boards to the perimeter trim with light finishing nails. Countersink and putty nail holes with matching finish provided.

## **Step 11: Cleanup**

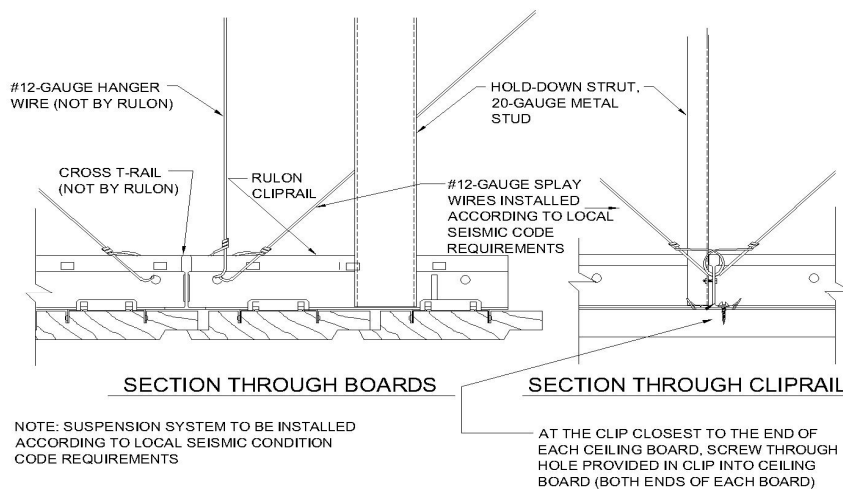
- a. Make final adjustments to level or contours.
- b. Clean all wood strips and borders free of dirt, dust, grease, oils, and fingerprints. Refer to the Rulon Care and Maintenance document for further instructions.
- c. Remove and replace all work that cannot be successfully cleaned or repaired.

# Rulon Suspended Linear Closed Wood Ceiling Installation Guide



## **Additional Suspension Requirements:**

- a. Exterior installations may require wind-load struts
- b. Local code may require seismic suspension





# Rulon Suspended Linear Closed Wood Ceiling Installation Guide

## **Optional Access Panel:**

