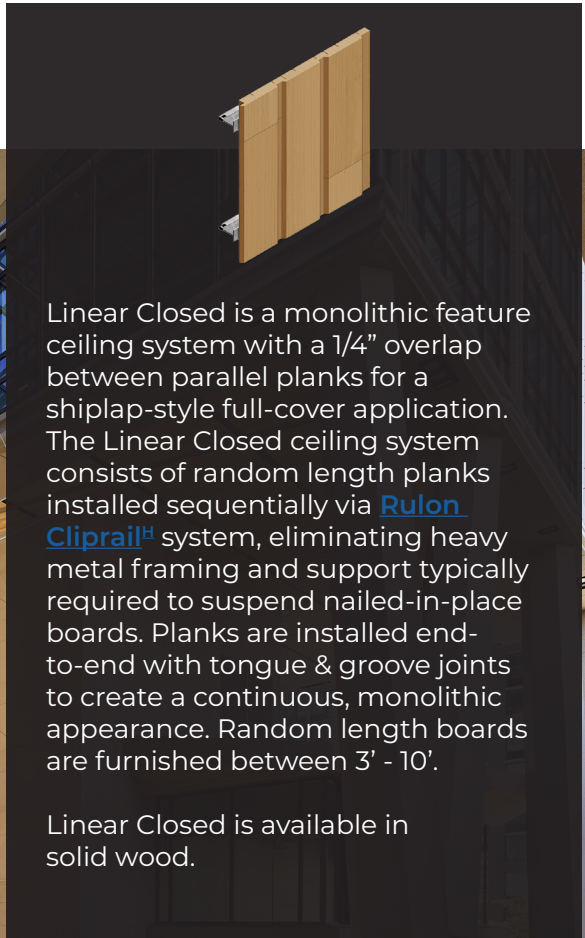


LINEAR DATA SHEET

SYSTEM: LINEAR | STYLE: CLOSED



Wood planks that combine the natural beauty of wood with modern design to create an elegant product that enhances the architectural plan and allows for easy installation.



Linear Closed is a monolithic feature ceiling system with a 1/4" overlap between parallel planks for a shiplap-style full-cover application. The Linear Closed ceiling system consists of random length planks installed sequentially via [Rulon Cliprail[®]](#) system, eliminating heavy metal framing and support typically required to suspend nailed-in-place boards. Planks are installed end-to-end with tongue & groove joints to create a continuous, monolithic appearance. Random length boards are furnished between 3' - 10'.

Linear Closed is available in solid wood.



DESIGN

Linear Closed is produced in St. Augustine, FL. The [Linear Clip[®]](#) is a proprietary attachment method utilized by Rulon, and is simple for installers. Clips are factory-attached to heavy-duty grid and are mechanically fastened to wood boards by contractor. [Primary Access Panels[®]](#) can be coordinated with MEP locations and cut in-field. In-factory cutouts can be achieved through coordination with the [Integrated Lighting[®]](#) program at Rulon.



ACOUSTICS

Linear Closed is manufactured with a 1/4" overlap between parallel planks eliminating reveals and providing a reflective surface.



FIRE PERFORMANCE

Linear Closed can be treated to meet **Class A** as per ASTM E-84. Solid wood is treated with a finish additive.



SUSTAINABILITY

Linear Closed contributes to sustainability initiatives like **WELL** and **LEED** through FSC compliance, HPDs, EPDs, and Indoor Advantage Gold certification.



SEISMIC

Linear Closed meets code compliance via direct screw attachment to heavy duty grid. Local code should be consulted to determine additional seismic requirements.



RULON INTERNATIONAL
2000 RING WAY
ST. AUGUSTINE, FL. 32092

PHONE: 904-584-1400
WEB: RULONCO.COM
EMAIL: INFO@RULONCO.COM

SPECIFICATION

COMPONENTS

HANGERS

#12- gauge wire hangers, braided wire, or aircraft cable (contractor-supplied).

SUSPENSION SYSTEM

Rulon cliprails are made from galvanized steel and are 12 feet long. They are factory-fabricated with [Linear Clips[®]](#) assembled onto standard heavy-duty 15/16" grid. The clips are made of spring-steel, with phosphate pretreatment and a corrosion-resistant coating. The assembled cliprails are provided by Rulon as part of the system.

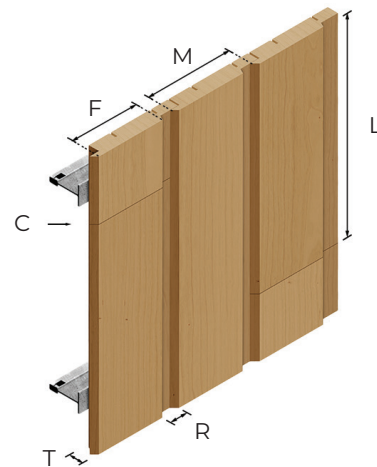
SYSTEM PROFILES & DIMENSIONS

Wood boards are 3/4" [19 mm] thick, with widths determined by the module selected. Standard board widths/modules are as follows:

M (MODULE)	4"
F (FACE) ¹	3-1/4"
R (RECESS)	3/4"
T (THICKNESS)	3/4"
L (LENGTH) ²	RL ²
C (CONNECTION)	TONGUE & GROOVE

¹Face - Face dimension includes flat surface only

²RL - Random lengths (x) where 3' ≤ x ≤ 10'



INSTALLATION

ATTACHMENT

Linear Closed boards install end-to-end using a tongue & groove joint followed by compression into a friction-fit clip. A clamping tool is to be used for rapid and easy assembly of wood boards to the cliprails (see drawing LOCXF002).

SPECIAL CONDITIONS

Ceiling termination at a wall or soffit is accomplished using Rulon perimeter trim #101 (see drawing LOCXF004). The standard perimeter for floating ceilings is Linear boards, turned 90° and pin-nailed into ceiling boards.

SPECIFICATION

WOOD SELECTIONS

WOOD SPECIES

Rulon Linear Closed may be specified in a variety of wood species. Current standard wood species are: Ash, Maple, Red Oak, White Oak, Beech, Poplar, and Cherry. [Thermally Modified²](#) wood species are also available.

TEXTURES

Standard surface texture is smooth-sawn. Faces are sanded.

FINISHES

WOOD FINISHES

Standard finishes include 20-sheen clear (satin) and 5-sheen clear (matte). A full range of standard colors can be found at rulonco.com/colorselections. Custom stains, opaque or semi-transparent colors are also available. All finishes are water based, low VOC-emitting, and do not contain solvents.

SHIPPING & STORAGE

SHIPPING

Linear Closed is shipped on skids in shrink wrap packaging. Finished surfaces are facing one another with slip sheets between to prevent marring.

STORAGE

Linear Closed shall be stored flat and level, in a fully enclosed space away from sunlight or moisture. For a minimum of seventy-two (72) hours immediately prior to ceiling installation, the packaging shall be opened and the panels shall be stored in the room in which they will be installed. The temperature and humidity of the room shall closely approximate those conditions that will exist when the building is occupied. Panels must be stored off the floor.

COORDINATION

TEMPERATURE & HUMIDITY

Linear Closed shall be installed only when the temperature and humidity closely approximate the interior conditions that will exist when the building is occupied. Heating and cooling systems shall be operating before, during, and after installation, with the humidity of the interior spaces maintained between 25 and 55 percent, and a temperature between 60 to 90 degrees F.

SPECIFICATION

NOTES

SPECIAL NOTES

- The Integrated Lighting program at Rulon is an effort to coordinate MEPs more effectively and provide for a more streamlined process of integration. In practice, this effort begins with factory cutouts to accommodate light fixtures.
- The Linear Clip is a mechanical fastener that utilizes barbed inserts pressed into grooves in the backs of the wood boards creating positive attachment. The clips are made of spring-steel with phosphate pre-treatment and corrosion-resistant coating.
- Primary Access Panels are sections of a system that have been removed and assembled into a lift & shift panel for required-access locations.
- Thermally modified wood has been altered by a controlled process called pyrolysis which induces chemical changes to the cellular structure of the cell wall components of the wood material through heat to increase durability, shrink/swell factor, and biological resistance.

TYPICAL DETAILS

