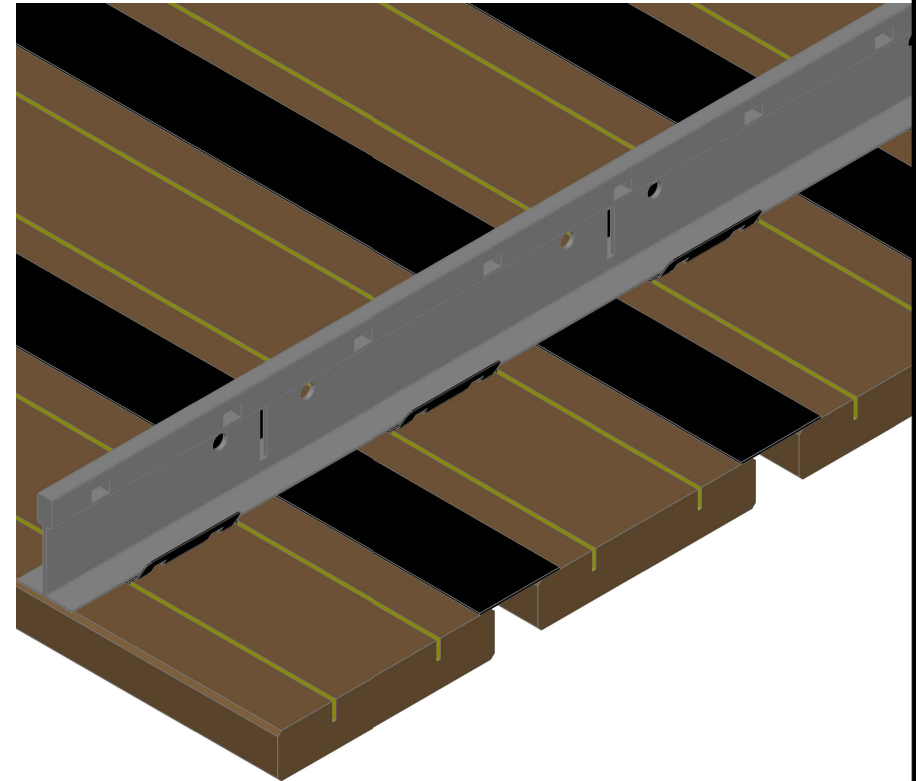


<u>DRAWING #</u>	<u>TITLE</u>
LOCXF001	Linear Open Ceiling Profile - 4½" [114 mm] Module w/Fiberfelt Spacers
LOCXF002	Ceiling Board Installation Method - Linear Open Style
LOCXF003	Cliprail Installation Detail - Linear Open Style
LOCXF004	Perimeter Detail - Linear Open Style
LOCXF005	Board Connection Detail - Linear Open Style
LOCXF006	Access Panel Detail - Linear Open Style
LOCXF007	Sprinkler Detail - Linear Open Style
LOCXF008	Recessed Can Light Detail - Linear Open Style
LOCXF009	Strip Light Fixture Detail - Linear Open Style
LOCXF011	Seismic Detail - Linear Open Style
LOCXF013	Cliprail Radius Detail - Linear Open Style

<u>DRAWING #</u>	<u>TITLE</u>
LOC6F001	Linear Open Ceiling Profile - 6" [152 mm] Module w/Fiberfelt Spacers
LOCXH001	Linear Open Profile - 4½" [114 mm] Module w/Hardboard Spacers



RULON INTERNATIONAL
2000 Ring Way
St. Augustine, FL 32092

(904) 584-1400
info @ rulonco.com

www.rulonco.com

PROJECT:

TITLE: **Linear Open Style Index**

ISSUE DATE:

REVISION DATE:
MAR/14/2019

DRAWN BY:

CAP

CHECKED BY:

TA

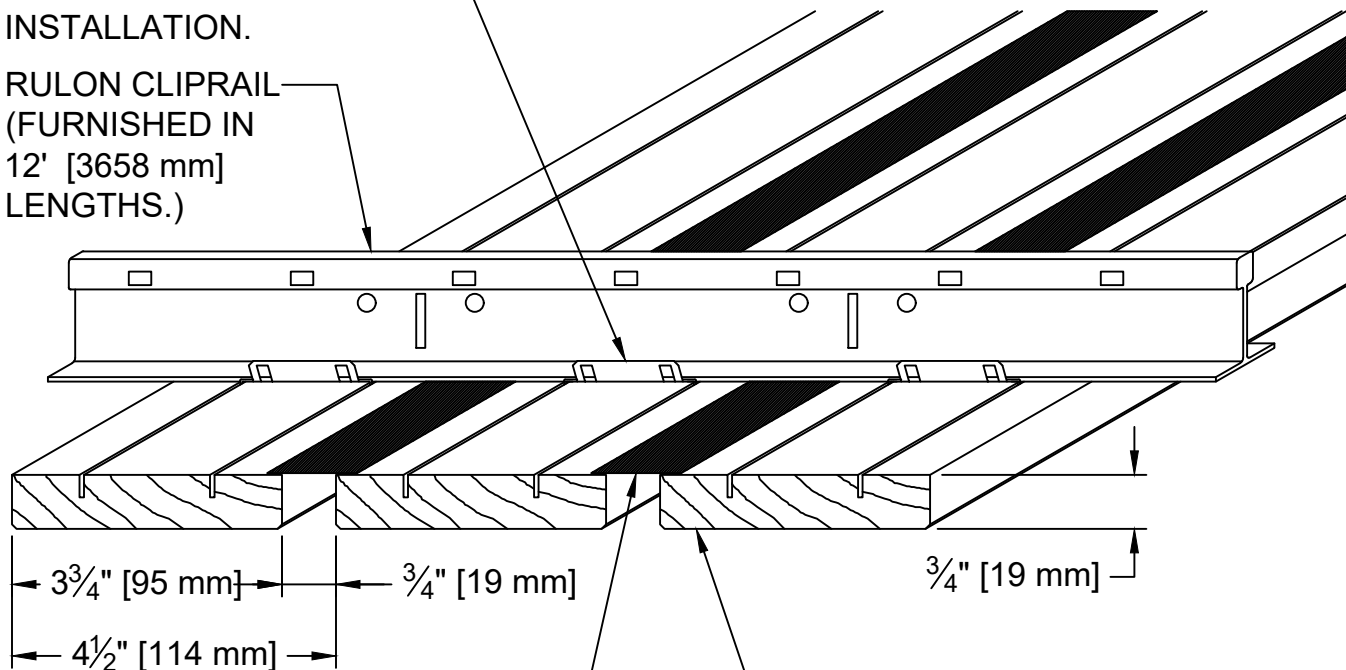
PROJECT NUMBER:

DRAWING NUMBER:

LOCINDEX

FACTORY-ATTACHED
CLIPS. PRE-POSITIONED
FOR EASE OF
INSTALLATION.

RULON CLIPRAIL
(FURNISHED IN
12' [3658 mm]
LENGTHS.)



BLACK FIBERFELT SPACER
(FACTORY-ATTACHED TO
ONE BOARD)

LINEAR BOARD



RULON INTERNATIONAL
2000 Ring Way
St. Augustine, FL 32092

(904) 584-1400
info @ rulonco.com

www.rulonco.com

PROJECT:

TITLE: Linear Open Ceiling Profile -
4 1/2" [114 mm] Module w/Fiberfelt
Spacers

ISSUE DATE:

REVISION DATE:
MAR/14/2019

DRAWN BY:

CAP

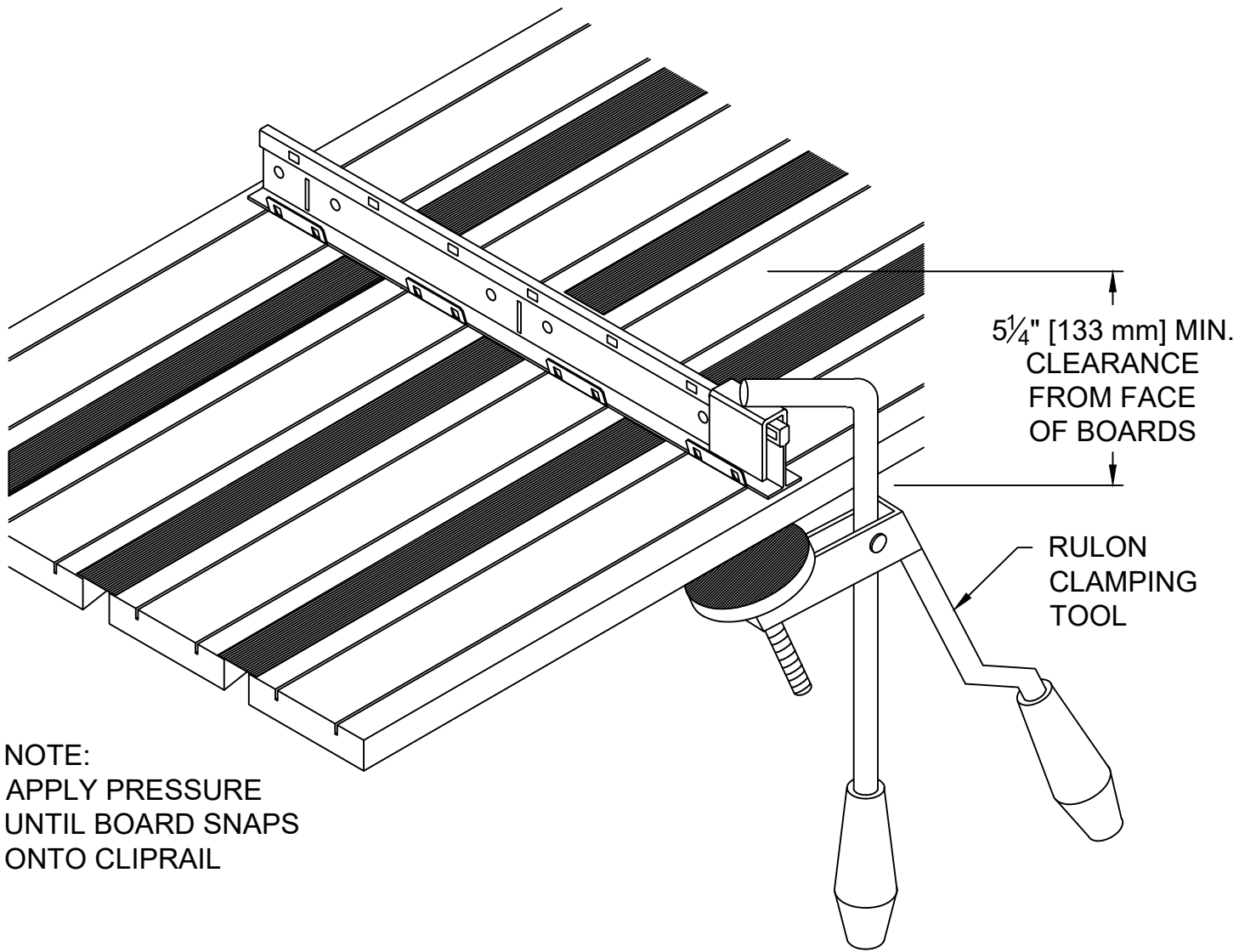
CHECKED BY:

TA

PROJECT NUMBER:

DRAWING NUMBER:

LOCXF001



NOTE:
APPLY PRESSURE
UNTIL BOARD SNAPS
ONTO CLIPRAIL



RULON INTERNATIONAL
2000 Ring Way
St. Augustine, FL 32092

(904) 584-1400
info @ rulonco.com

www.rulonco.com

PROJECT:

TITLE: **Ceiling Board Installation Detail -
Linear Open Style**

ISSUE DATE:

REVISION DATE:
MAR/14/2019

DRAWN BY:

CAP

CHECKED BY:

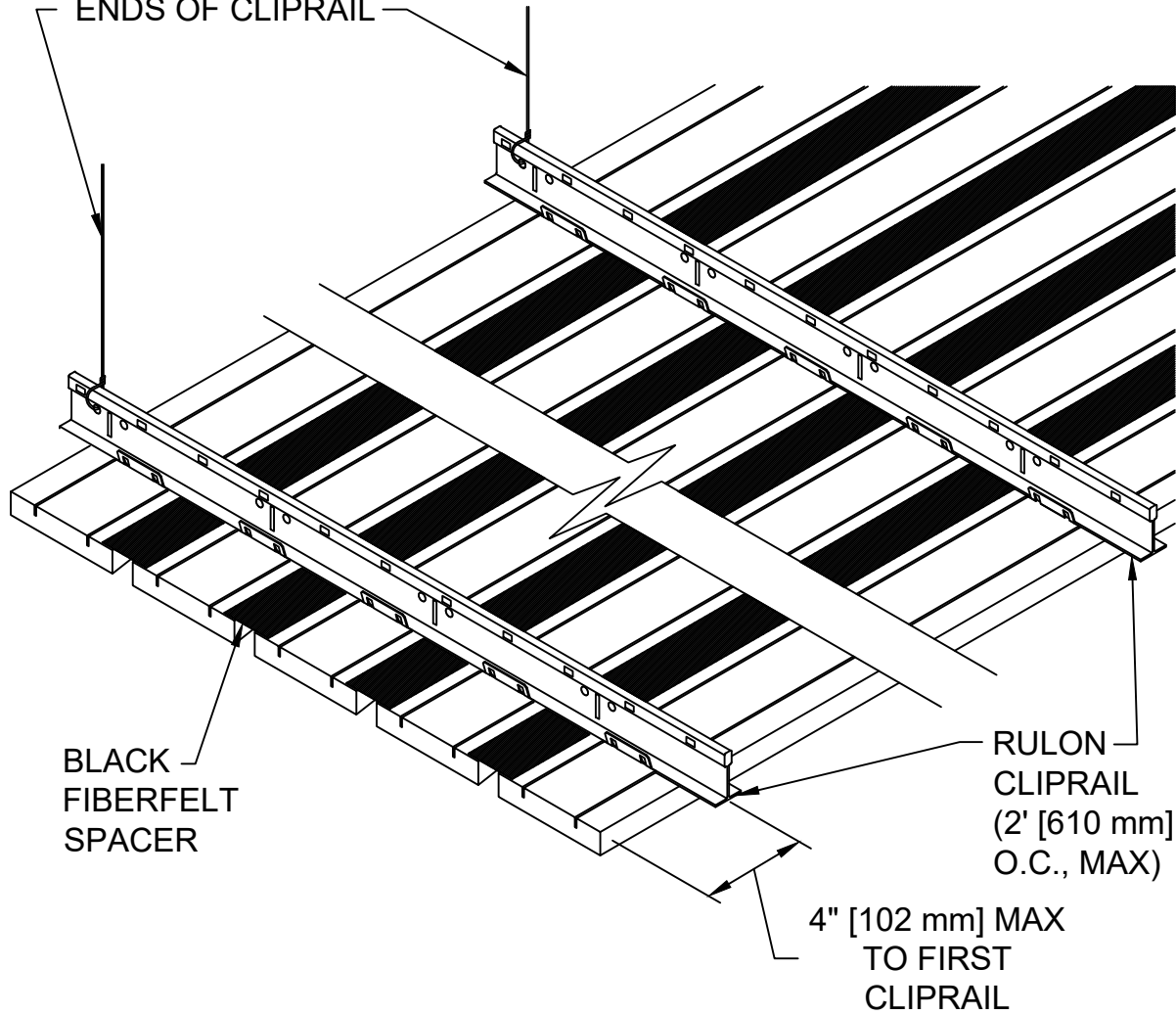
TA

PROJECT NUMBER:

DRAWING NUMBER:

LOCXF002

#12-GAUGE WIRE HANGERS
 (NOT BY RULON) 4' [1219 mm] ON
 CENTER ALONG RULON CLIPRAIL
 AND AT 6" [152 mm] MAX. FROM
 ENDS OF CLIPRAIL



BLACK
 FIBERFELT
 SPACER

RULON
 CLIPRAIL
 (2' [610 mm]
 O.C., MAX)

4" [102 mm] MAX
 TO FIRST
 CLIPRAIL



RULON INTERNATIONAL
 2000 Ring Way
 St. Augustine, FL 32092

(904) 584-1400
 info @ rulonco.com

www.rulonco.com

PROJECT:

TITLE: Cliprail Installation Detail - Linear
 Open Style

ISSUE DATE:

REVISION DATE:
 MAR/14/2019

DRAWN BY:

CAP

CHECKED BY:

TA

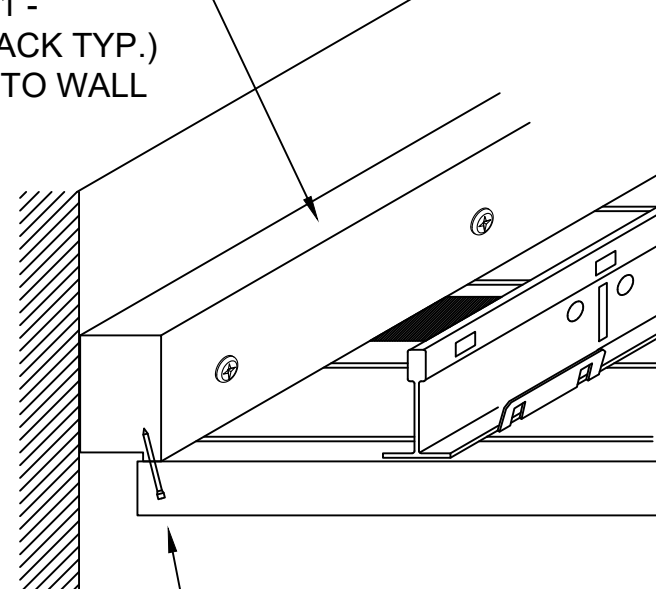
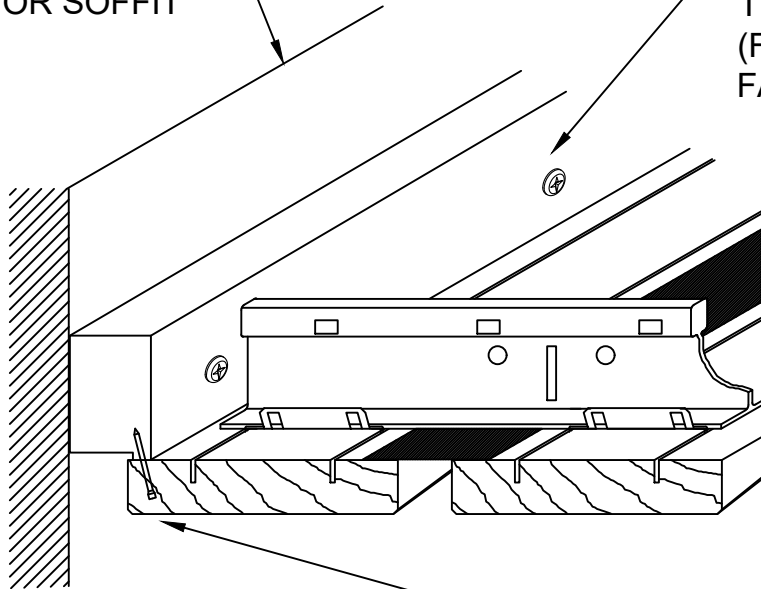
PROJECT NUMBER:

DRAWING NUMBER:

LOCXF003

WALL, BEAM
OR SOFFIT

RULON PERIMETER
TRIM #101 -
(FLAT BLACK TYP.)
FASTEN TO WALL



NAIL OR STAPLE

SIDE INSTALLATION

END INSTALLATION



RULON INTERNATIONAL
2000 Ring Way
St. Augustine, FL 32092

(904) 584-1400
info @ rulonco.com

www.rulonco.com

PROJECT:

ISSUE DATE:

DRAWN BY:

PROJECT NUMBER:

CAP

TITLE: Perimeter Detail -
Linear Open Style

REVISION DATE:

CHECKED BY:

DRAWING NUMBER:

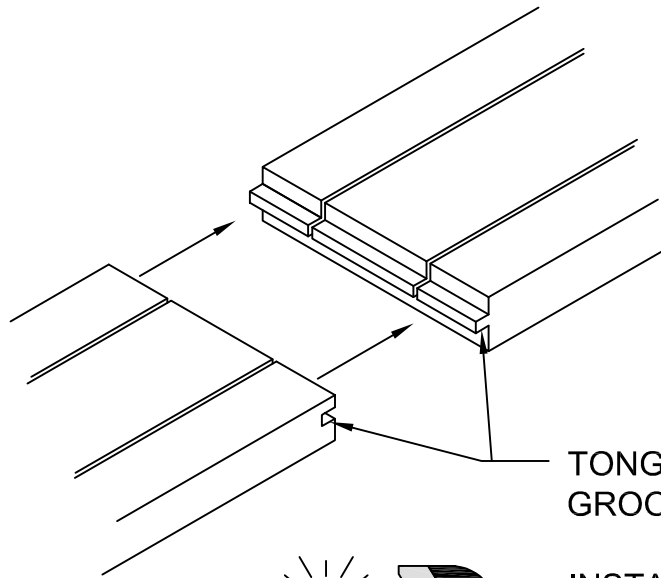
MAR/14/2019

TA

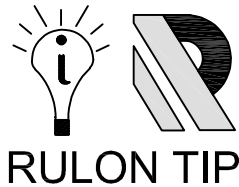
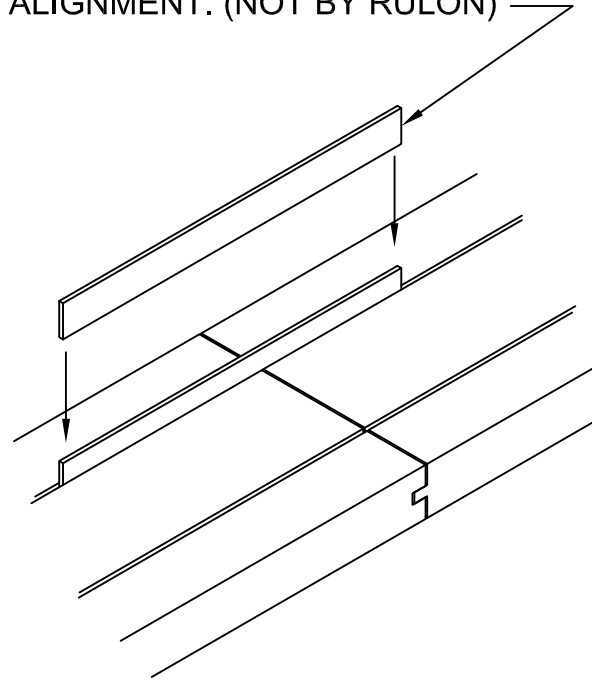
LOCXF004

NOTE: TONGUE AND GROOVE BOARDS ARE FURNISHED IN RANDOM LENGTHS. STAGGER T&G JOINTS THROUGHOUT.

$\frac{1}{16}$ " [2 mm] THICK STEEL STRIP OR WIRE SHOULD BE INSERTED INTO SLOT ON BACK OF CEILING BOARD AT T&G END JOINTS TO HELP BOARD ALIGNMENT. (NOT BY RULON)



TONGUE AND GROOVE ENDS



INSTALLATION TIP:
ONLY ONE (1) STEEL STRIP OR WIRE PIECE IS NEEDED AT EACH CONNECTION. INSTALL WITH CLAMPING TOOL. A FINISH NAIL MAY ALSO BE USED.



RULON INTERNATIONAL
2000 Ring Way
St. Augustine, FL 32092

(904) 584-1400
info @ rulonco.com

www.rulonco.com

PROJECT:

ISSUE DATE:

DRAWN BY:

PROJECT NUMBER:

CAP

TITLE: Board Connection Detail -
Linear Open Style

REVISION DATE:

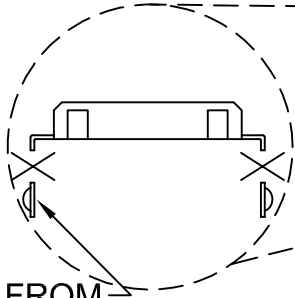
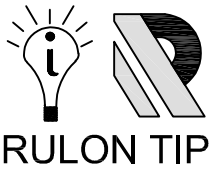
CHECKED BY:

DRAWING NUMBER:

JUL/21/2023

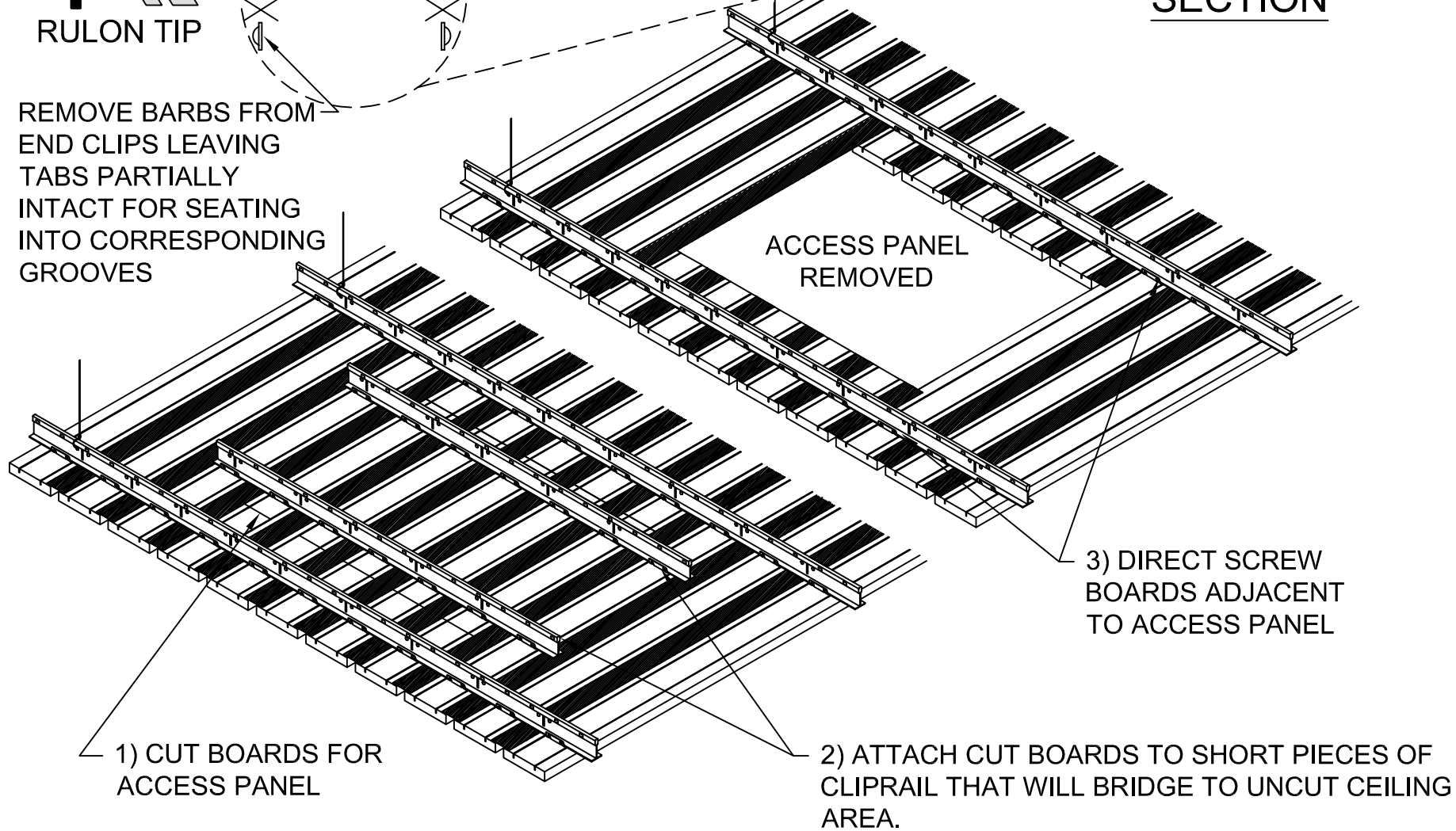
TA

LOCXF005



**ACCESS PANEL
SECTION**

REMOVE BARBS FROM
END CLIPS LEAVING
TABS PARTIALLY
INTACT FOR SEATING
INTO CORRESPONDING
GROOVES



1) CUT BOARDS FOR
ACCESS PANEL

ACCESS PANEL
REMOVED

3) DIRECT SCREW
BOARDS ADJACENT
TO ACCESS PANEL

2) ATTACH CUT BOARDS TO SHORT PIECES OF
CLIPRAIL THAT WILL BRIDGE TO UNCUT CEILING
AREA.



RULON INTERNATIONAL
2000 Ring Way
St. Augustine, FL 32092

(904) 584-1400
info @ rulonco.com

www.rulonco.com

PROJECT:

ISSUE DATE:

DRAWN BY:

PROJECT NUMBER:

CAP

TITLE: Access Panel Detail -
Linear Open Style

REVISION DATE:

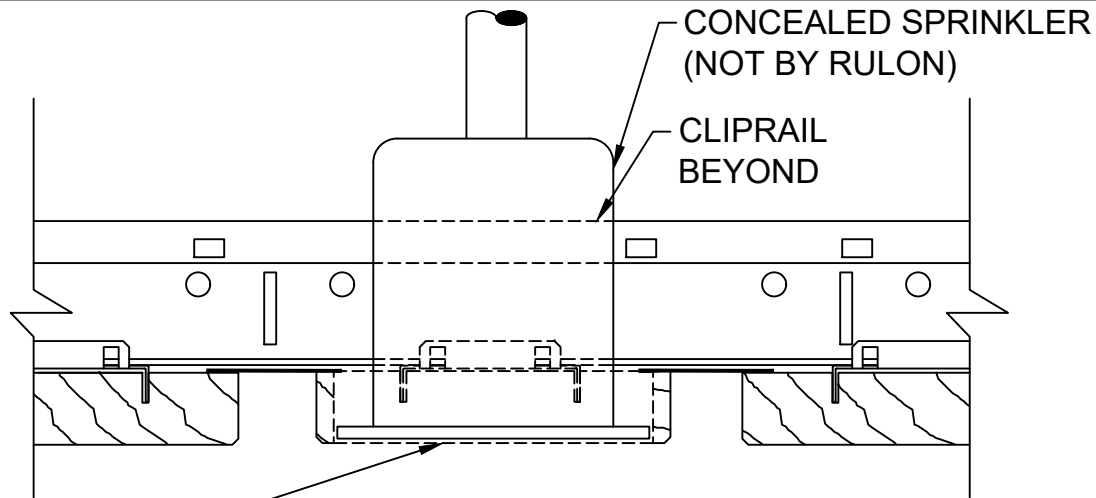
CHECKED BY:

DRAWING NUMBER:

JUL/21/2023

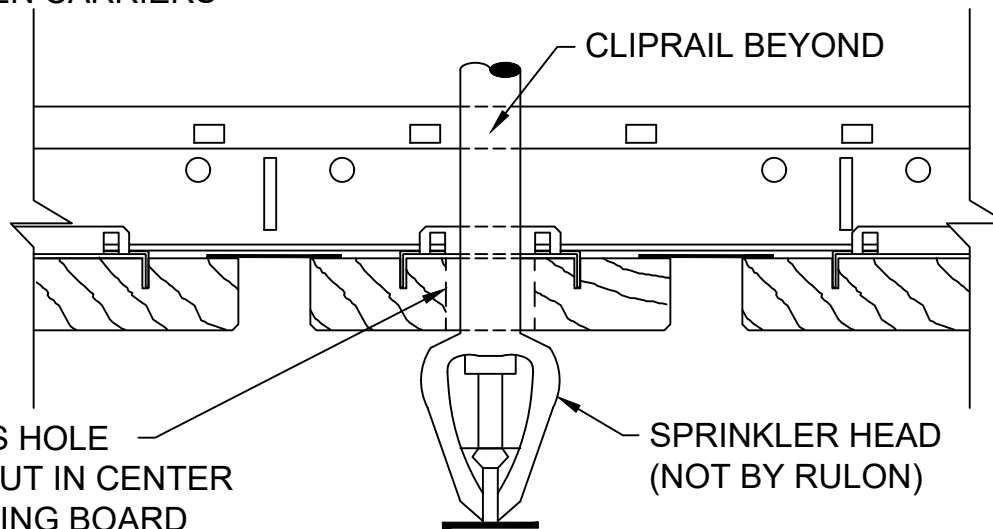
TA

LOCXF006



CONCEALED
SPRINKLER

ACCESS HOLE
FIELD-CUT IN CENTER
OF CEILING BOARD
BETWEEN CARRIERS



STANDARD
SPRINKLER

ACCESS HOLE
FIELD-CUT IN CENTER
OF CEILING BOARD
BETWEEN CARRIERS



RULON INTERNATIONAL
2000 Ring Way
St. Augustine, FL 32092

(904) 584-1400
info @ rulonco.com

www.rulonco.com

PROJECT:

ISSUE DATE:

DRAWN BY:

PROJECT NUMBER:

CAP

TITLE: Sprinkler Detail -
Linear Open Style

REVISION DATE:

CHECKED BY:

DRAWING NUMBER:

MAR/14/2019

TA

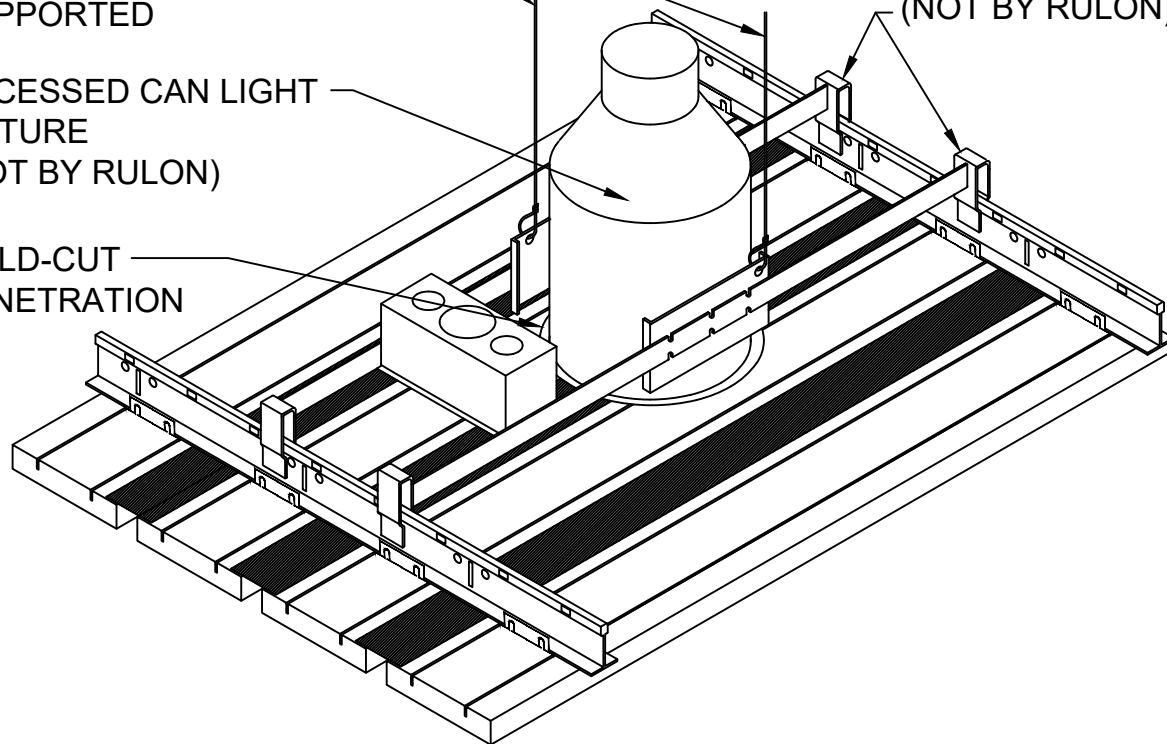
LOCXF007

LIGHT FIXTURE
MUST BE
INDEPENDENTLY
SUPPORTED

RECESSED CAN LIGHT
FIXTURE
(NOT BY RULON)

FIELD-CUT
PENETRATION

ATTACHMENT
FOR LATERAL
STABILITY ONLY
(NOT BY RULON)



RULON INTERNATIONAL
2000 Ring Way
St. Augustine, FL 32092

(904) 584-1400
info @ rulonco.com

www.rulonco.com

PROJECT:

TITLE:

Recessed Can Light Detail -
Linear Open Style

ISSUE DATE:

REVISION DATE:

MAR/14/2019

DRAWN BY:

CAP

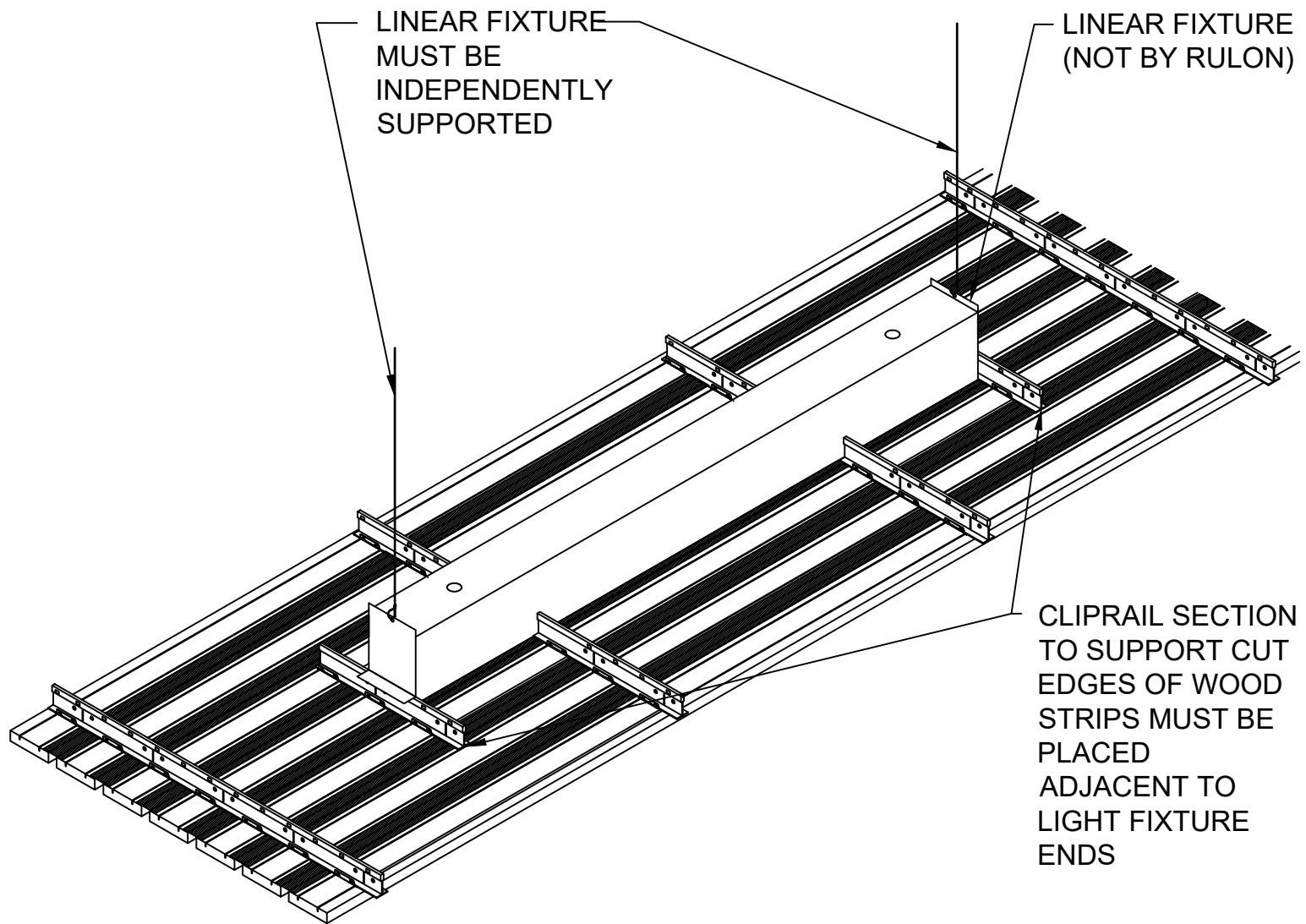
CHECKED BY:

TA

PROJECT NUMBER:

DRAWING NUMBER:

LOCXF008



RULON INTERNATIONAL
2000 Ring Way
St. Augustine, FL 32092

(904) 584-1400
info @ rulonco.com

www.rulonco.com

PROJECT:

TITLE: Strip Light Fixture Detail -
Linear Open Style

ISSUE DATE:

REVISION DATE:
MAR/14/2019

DRAWN BY:

CAP

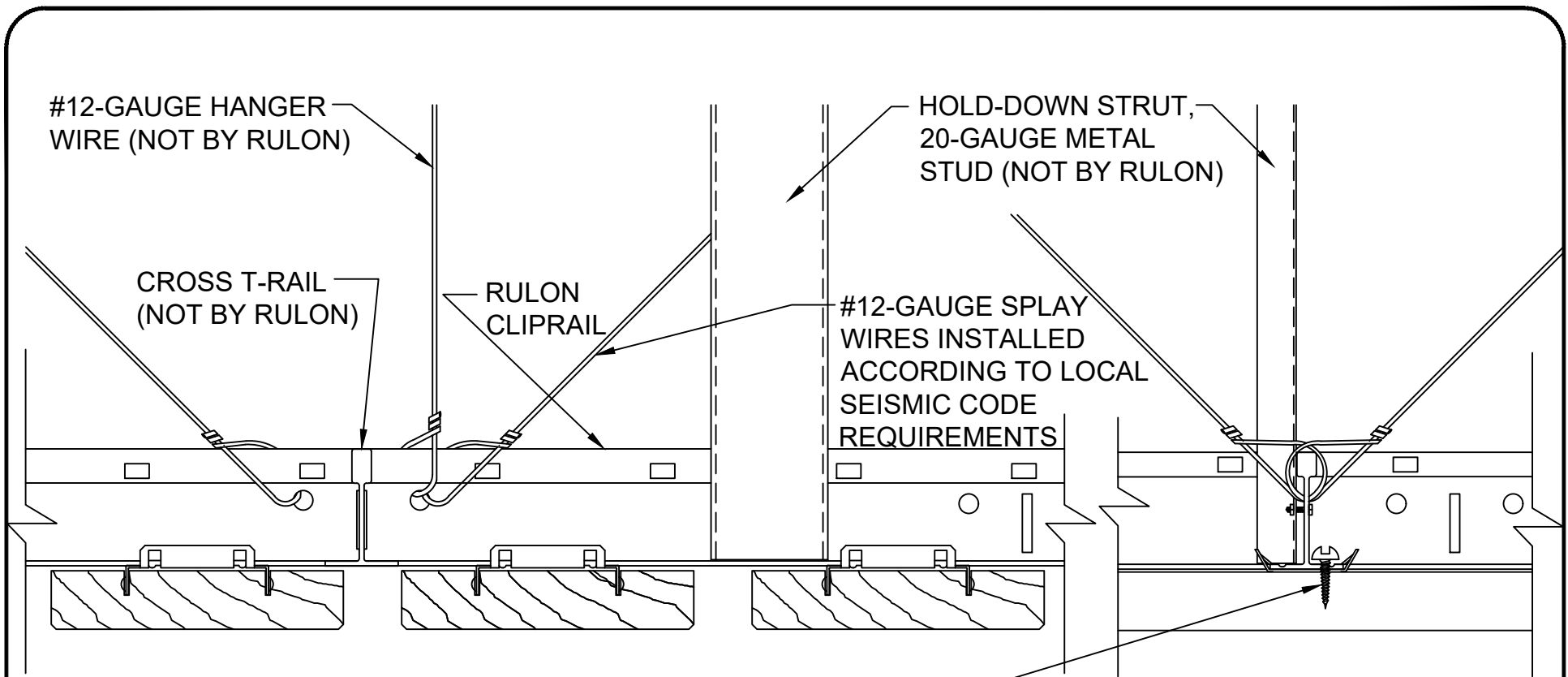
CHECKED BY:

TA

PROJECT NUMBER:

DRAWING NUMBER:

LOCXF009



SECTION THROUGH BOARDS

SECTION THROUGH CLIPRAIL

NOTE: SUSPENSION SYSTEM TO BE INSTALLED ACCORDING TO LOCAL SEISMIC CONDITION CODE REQUIREMENTS. SUSPENSION SYSTEM NOT BY RULON.

AT THE CLIP CLOSEST TO THE END OF EACH CEILING BOARD, SCREW THROUGH HOLE PROVIDED IN CLIP INTO CEILING BOARD (BOTH ENDS OF EACH BOARD)



RULON INTERNATIONAL
2000 Ring Way
St. Augustine, FL 32092

(904) 584-1400
info @ rulonco.com

www.rulonco.com

PROJECT:

TITLE: **Seismic Detail -
Linear Open Style**

ISSUE DATE:

REVISION DATE:
MAR/14/2019

DRAWN BY:

CAP

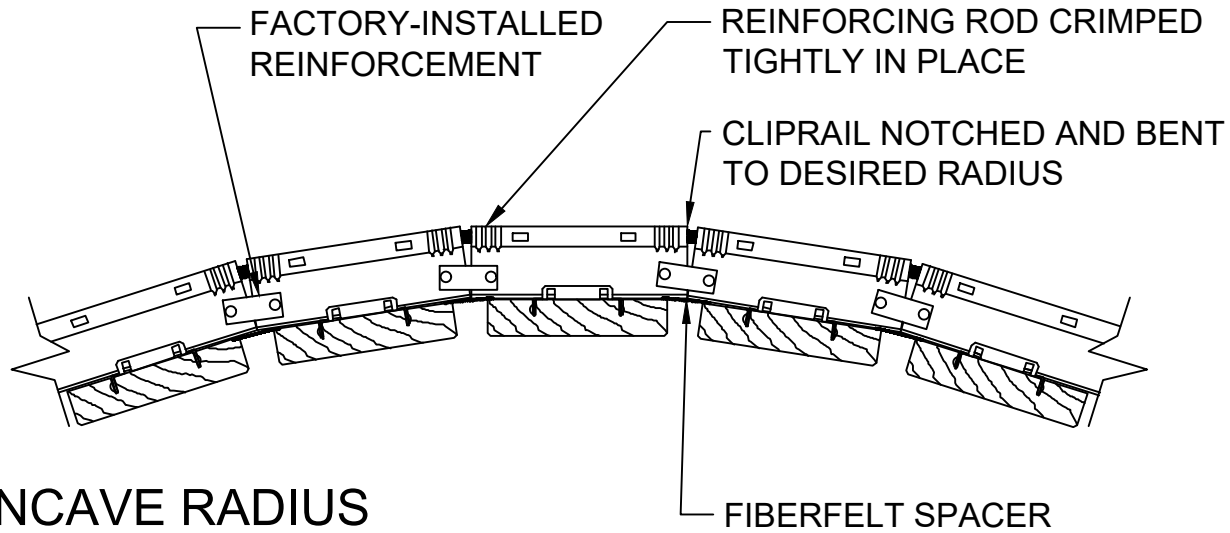
CHECKED BY:

TA

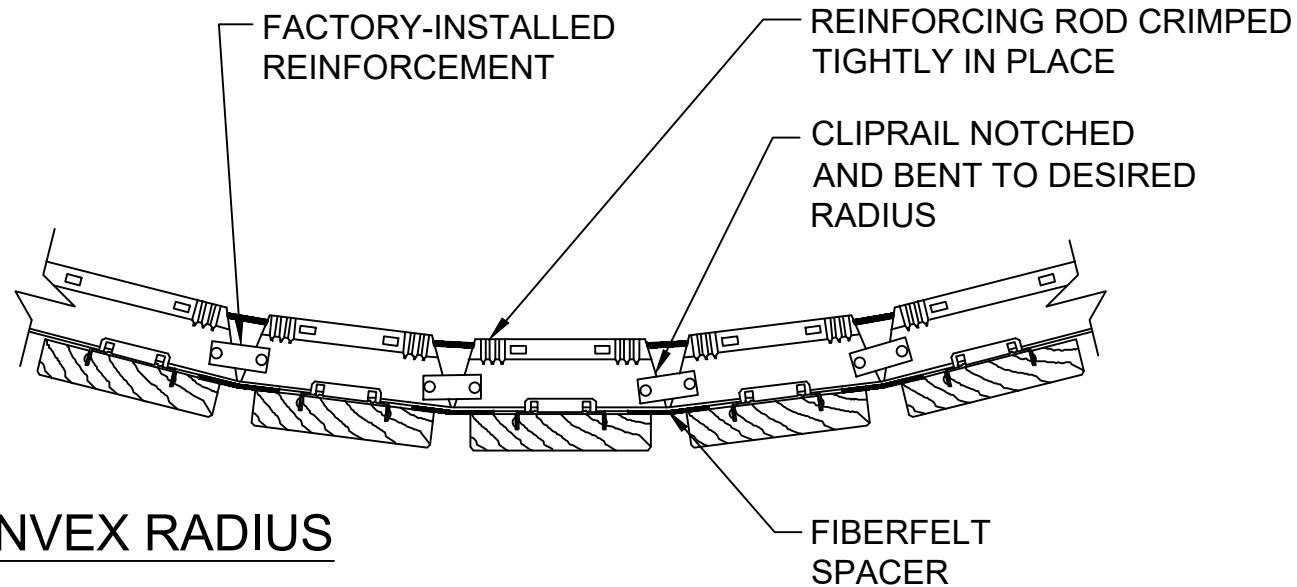
PROJECT NUMBER:

DRAWING NUMBER:

LOCXF011



CONCAVE RADIUS



CONVEX RADIUS



RULON INTERNATIONAL
2000 Ring Way
St. Augustine, FL 32092

(904) 584-1400
info @ rulonco.com

www.rulonco.com

PROJECT:

ISSUE DATE:

DRAWN BY:

PROJECT NUMBER:

CAP

TITLE:

Cliprail Radius Detail Linear Open
Style

REVISION DATE:

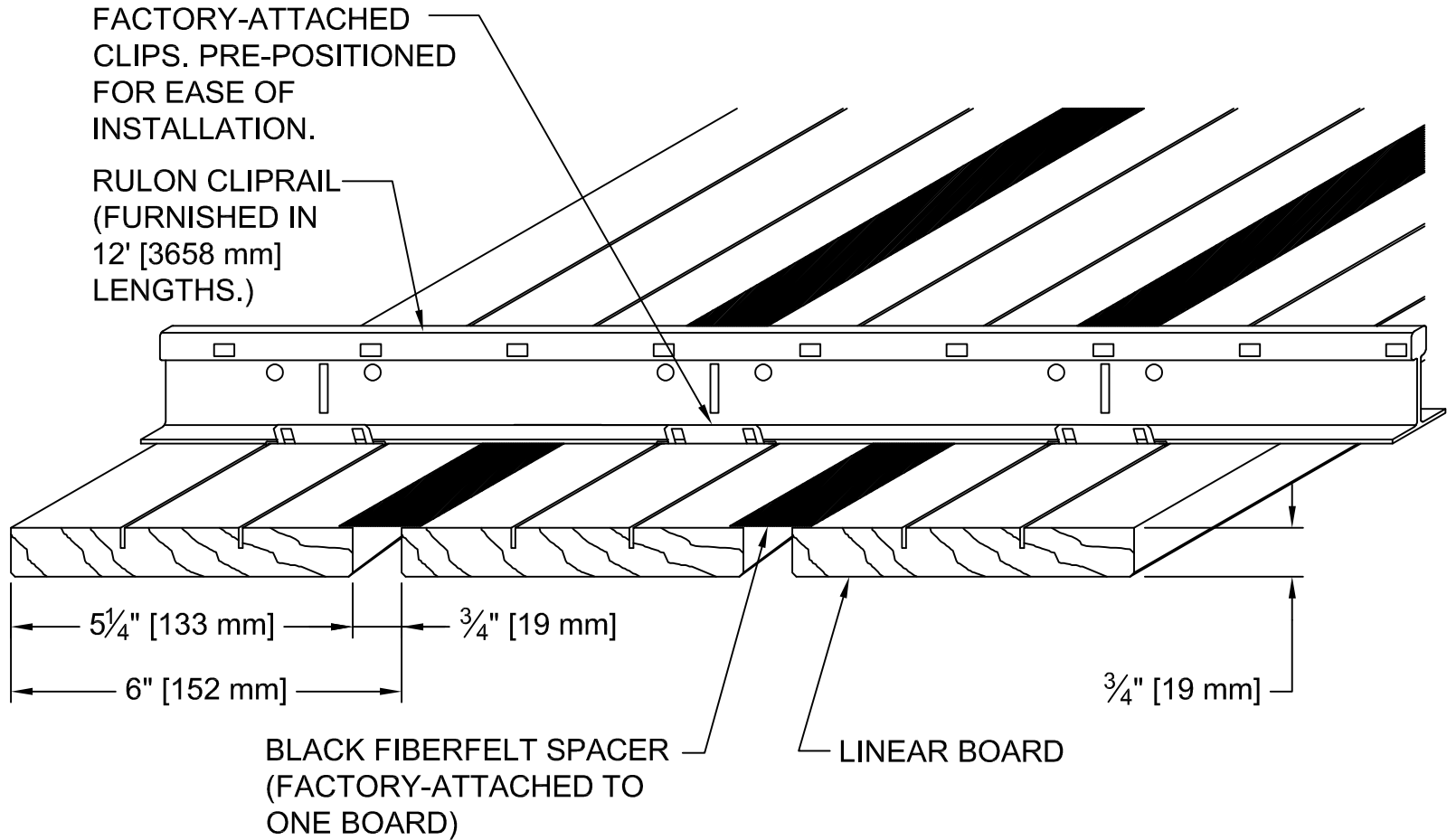
SEP/15/2021

CHECKED BY:

TA

DRAWING NUMBER:

LOCXF013



RULON INTERNATIONAL
2000 Ring Way
St. Augustine, FL 32092

(904) 584-1400
info @ rulonco.com

www.rulonco.com

PROJECT:

TITLE: **Linear Open Ceiling Profile -
6" [152 mm] Module w/Fiberfelt
Spacers**

ISSUE DATE:

REVISION DATE:
JAN/28/2025

DRAWN BY:

CAP

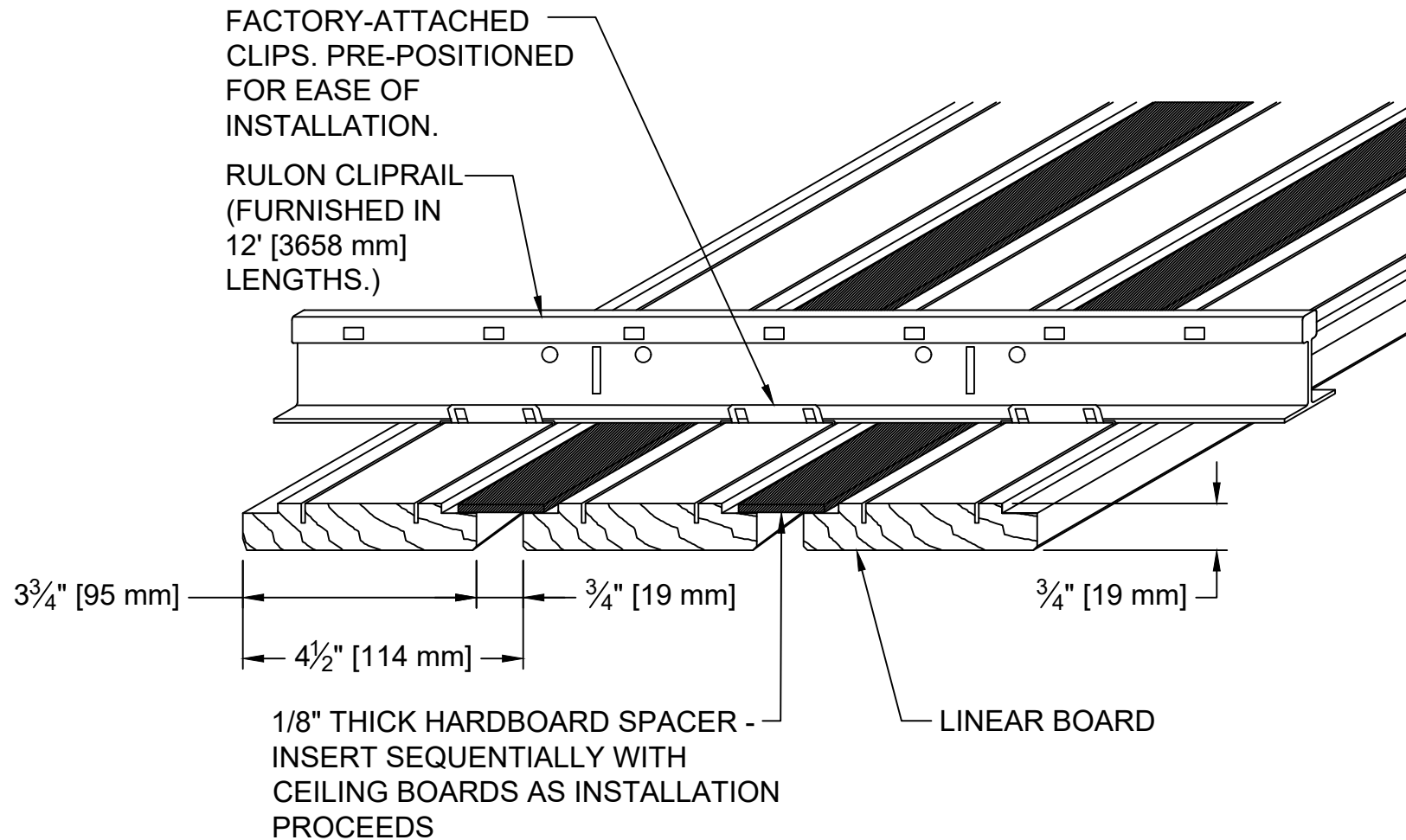
CHECKED BY:

TA/RB

PROJECT NUMBER:

DRAWING NUMBER:

LOC6F001



RULON INTERNATIONAL
 2000 Ring Way
 St. Augustine, FL 32092

(904) 584-1400
 info @ rulonco.com

www.rulonco.com

PROJECT:

TITLE: Linear Open Profile -
 4¹/₂" [114 mm] Module w/
 Hardboard Spacers

ISSUE DATE:

REVISION DATE:
 MAR/14/2019

DRAWN BY:

CAP

CHECKED BY:

TA

PROJECT NUMBER:

DRAWING NUMBER:

LOCXH001