

<u>DRAWING #</u>	<u>TITLE</u>
LOPXF001	Panelized Linear - Standard 4½" Module
LOP6F002	Panelized Linear - Standard 6" Module
LOPXF003	Panelized Linear - Woodbacker Clip Attachment
LOPXF004	Panelized Linear - Direct Screw Attachment (From Above)
LOPXF005	Panelized Linear - Direct Screw Attachment (From Below)
LOPXF006	Panelized Linear - Typical Panel Construction
LOPXF007	Panelized Linear - Woodbacker Clip Placement Detail
LOPXF008	Panelized Linear Trimming Detail
LOPXF009	Panelized Linear - Clearances



RULON INTERNATIONAL
2000 Ring Way
St. Augustine, FL 32092

(904) 584-1400
info @ rulonco.com

www.rulonco.com

PROJECT:

TITLE: Panelized Linear Index

ISSUE DATE:

REVISION DATE:
MAR/14/2019

DRAWN BY:

CAP

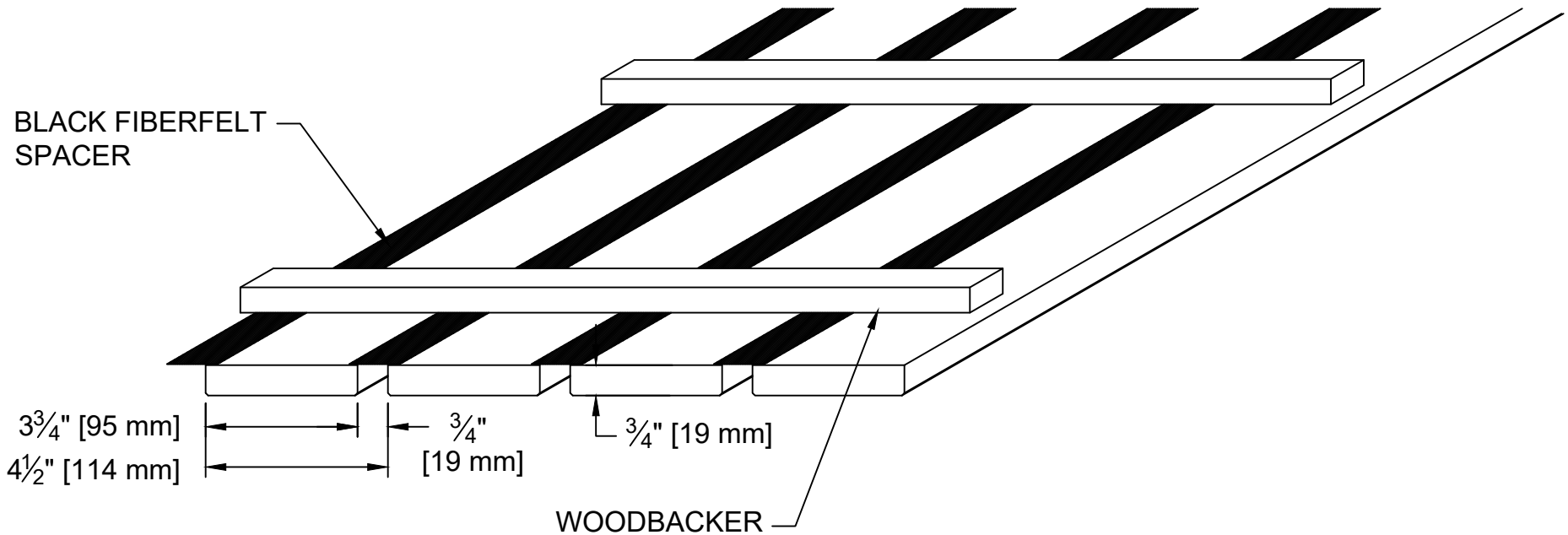
CHECKED BY:

TA

PROJECT NUMBER:

DRAWING NUMBER:

LOPINDEX



NOTE:
 PANELIZED LINEAR MAY BE VENEERED OR SOLID
 WOOD CONSTRUCTION BASED ON PROJECT
 REQUIREMENTS. BOARD WIDTH, LENGTH (UP TO 10'),
 AND SPACING MAY VARY PER ARCHITECT'S DESIGN.



RULON INTERNATIONAL
 2000 Ring Way
 St. Augustine, FL 32092

(904) 584-1400
 info @ rulonco.com

www.rulonco.com

PROJECT:

TITLE:

Panelized Linear - Standard 4 1/2"
 [114 mm] Module

ISSUE DATE:

REVISION DATE:

MAR/14/2019

DRAWN BY:

CAP

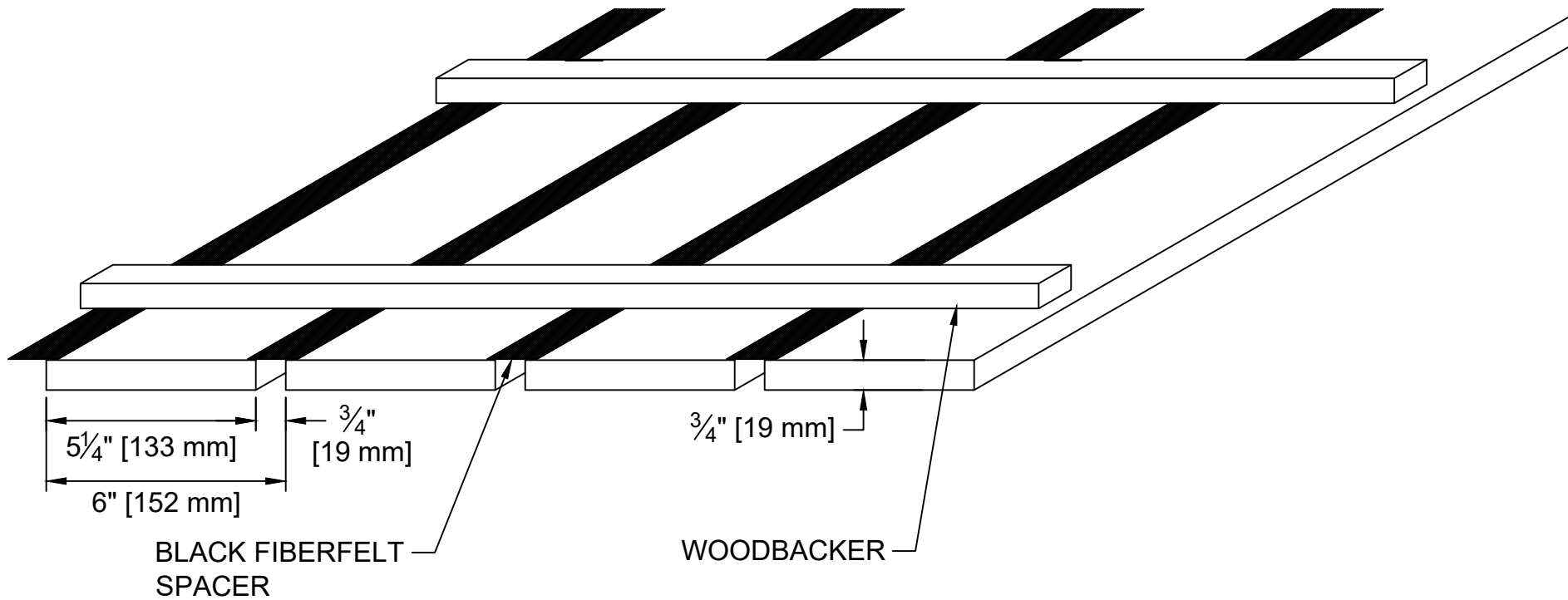
CHECKED BY:

TA

PROJECT NUMBER:

DRAWING NUMBER:

LOPXF001



NOTE:
 PANELIZED LINEAR MAY BE VENEERED OR SOLID
 WOOD CONSTRUCTION BASED ON PROJECT
 REQUIREMENTS. BOARD WIDTH, LENGTH (UP TO 10' [3048 mm]),
 AND SPACING MAY VARY PER ARCHITECT'S DESIGN.



RULON INTERNATIONAL
 2000 Ring Way
 St. Augustine, FL 32092

(904) 584-1400
 info @ rulonco.com

www.rulonco.com

PROJECT:

TITLE:

Panelized Linear - Standard 6"
 [152 mm] Module

ISSUE DATE:

REVISION DATE:
 MAR/14/2019

DRAWN BY:

CAP

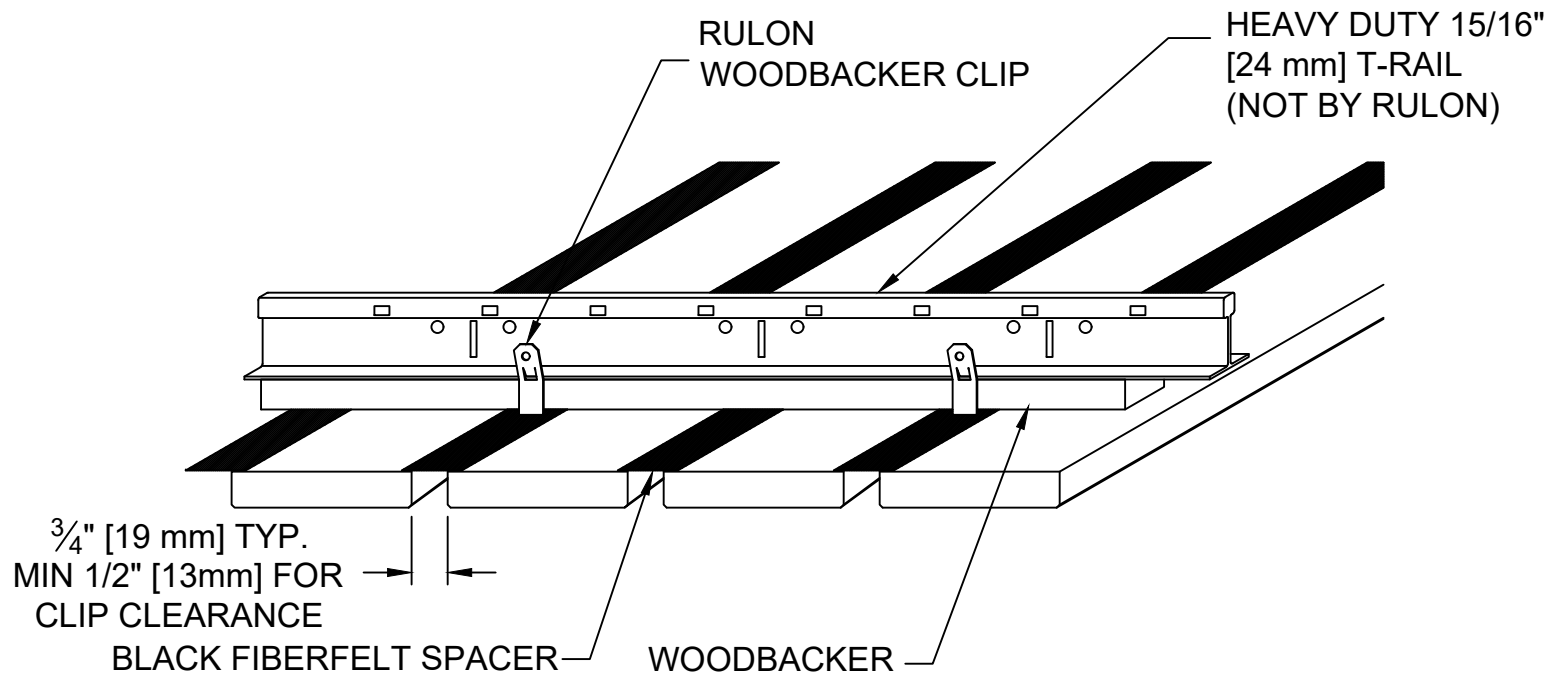
CHECKED BY:

TA

PROJECT NUMBER:

DRAWING NUMBER:

LOP6F002



RULON INTERNATIONAL
2000 Ring Way
St. Augustine, FL 32092

(904) 584-1400
info @ rulonco.com

www.rulonco.com

PROJECT:

TITLE: **Panelized Linear - Woodbacker
Clip Attachment**

ISSUE DATE:

REVISION DATE:
MAR/14/2019

DRAWN BY:

CAP

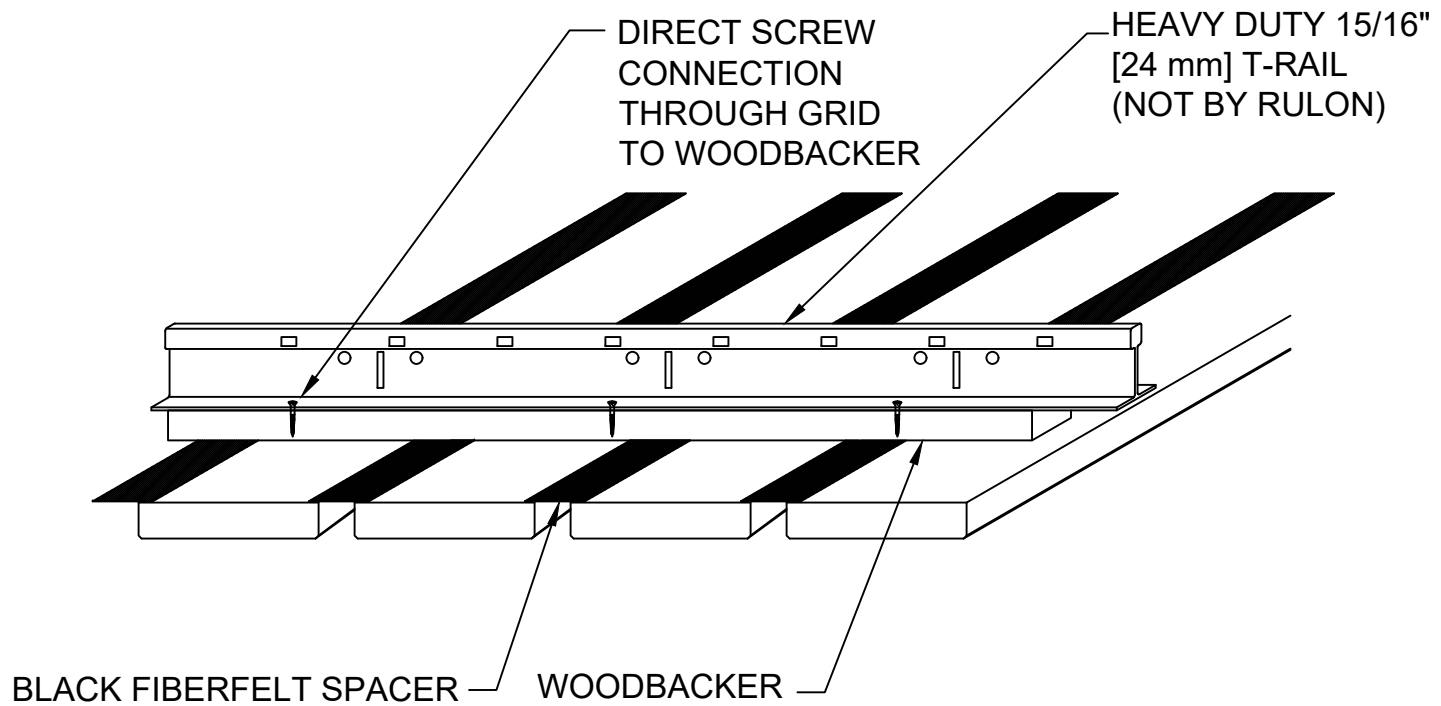
CHECKED BY:

TDA

PROJECT NUMBER:

DRAWING NUMBER:

LOPXF003



RULON INTERNATIONAL
 2000 Ring Way
 St. Augustine, FL 32092

(904) 584-1400
 info @ rulonco.com

www.rulonco.com

PROJECT:

TITLE: **Panelized Linear - Direct Screw Attachment (From Above)**

ISSUE DATE:

REVISION DATE:
MAR/14/2019

DRAWN BY:

CAP

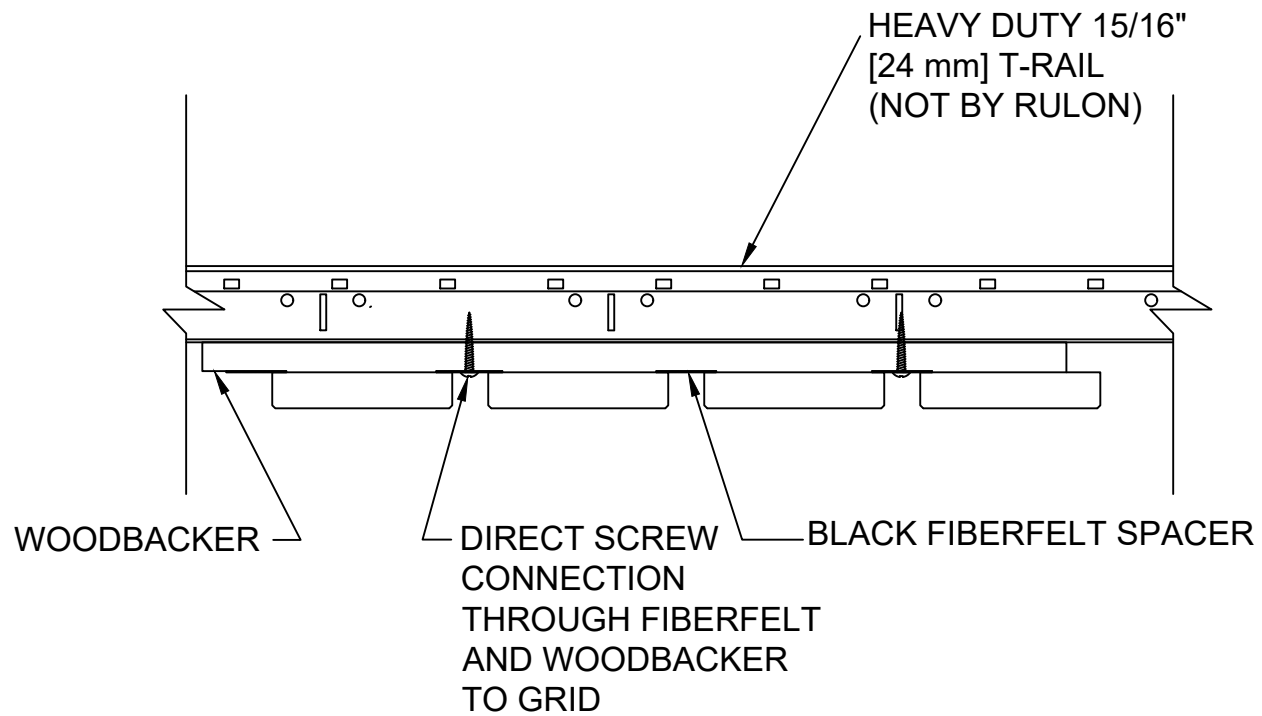
CHECKED BY:

TA

PROJECT NUMBER:

DRAWING NUMBER:

LOPXF004



RULON INTERNATIONAL
2000 Ring Way
St. Augustine, FL 32092

(904) 584-1400
info @ rulonco.com

www.rulonco.com

PROJECT:

TITLE: **Panelized Linear - Direct Screw Attachment (From Below)**

ISSUE DATE:

REVISION DATE:
MAR/14/2019

DRAWN BY:

CAP

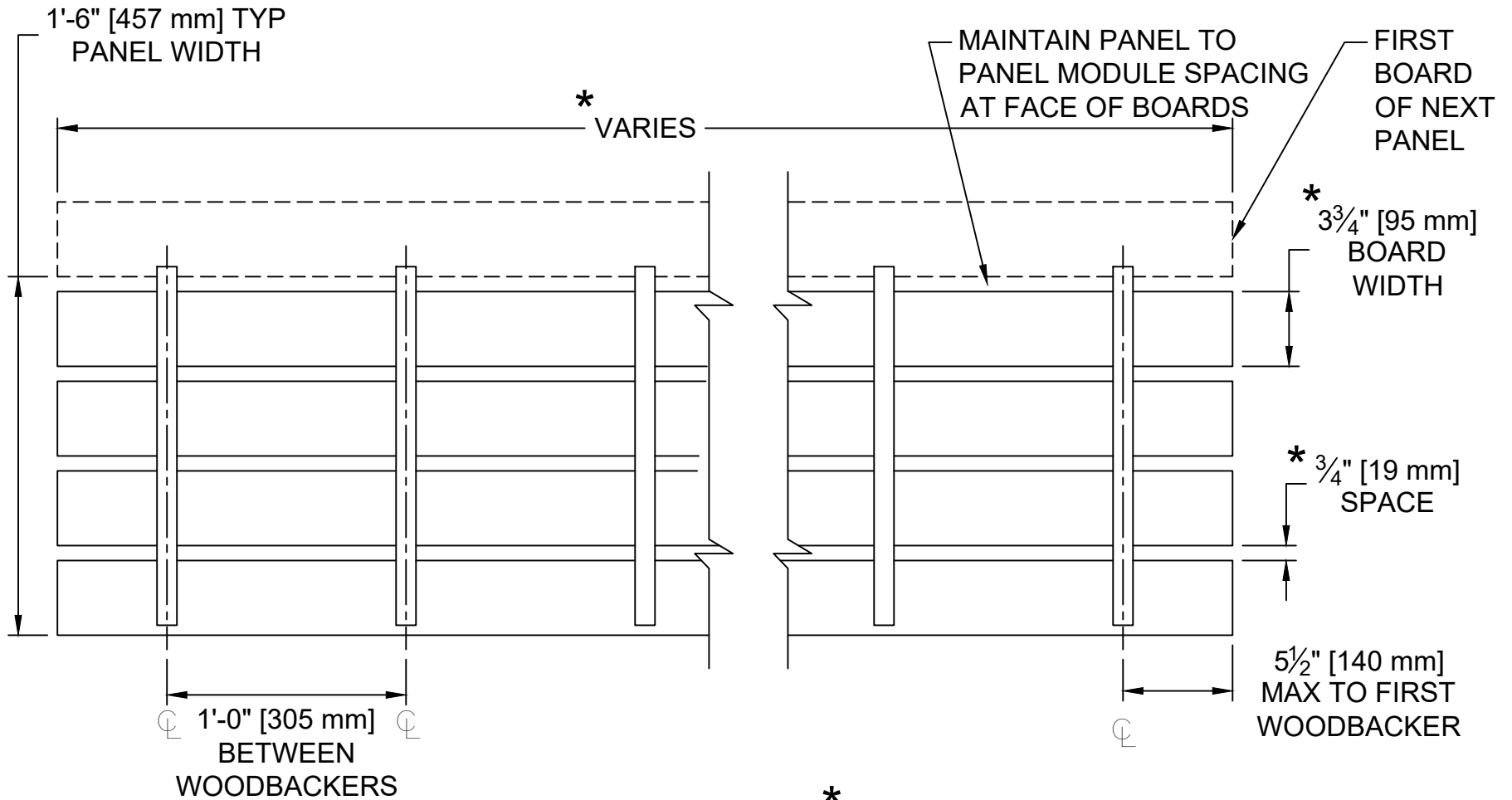
CHECKED BY:

TA

PROJECT NUMBER:

DRAWING NUMBER:

LOPXF005



* MAY VARY PER ARCHITECT'S DESIGN



RULON INTERNATIONAL
2000 Ring Way
St. Augustine, FL 32092

(904) 584-1400
info @ rulonco.com

www.rulonco.com

PROJECT:

TITLE: Panelized Linear - Typical Panel
Construction

ISSUE DATE:

REVISION DATE:
MAR/14/2019

DRAWN BY:

CAP

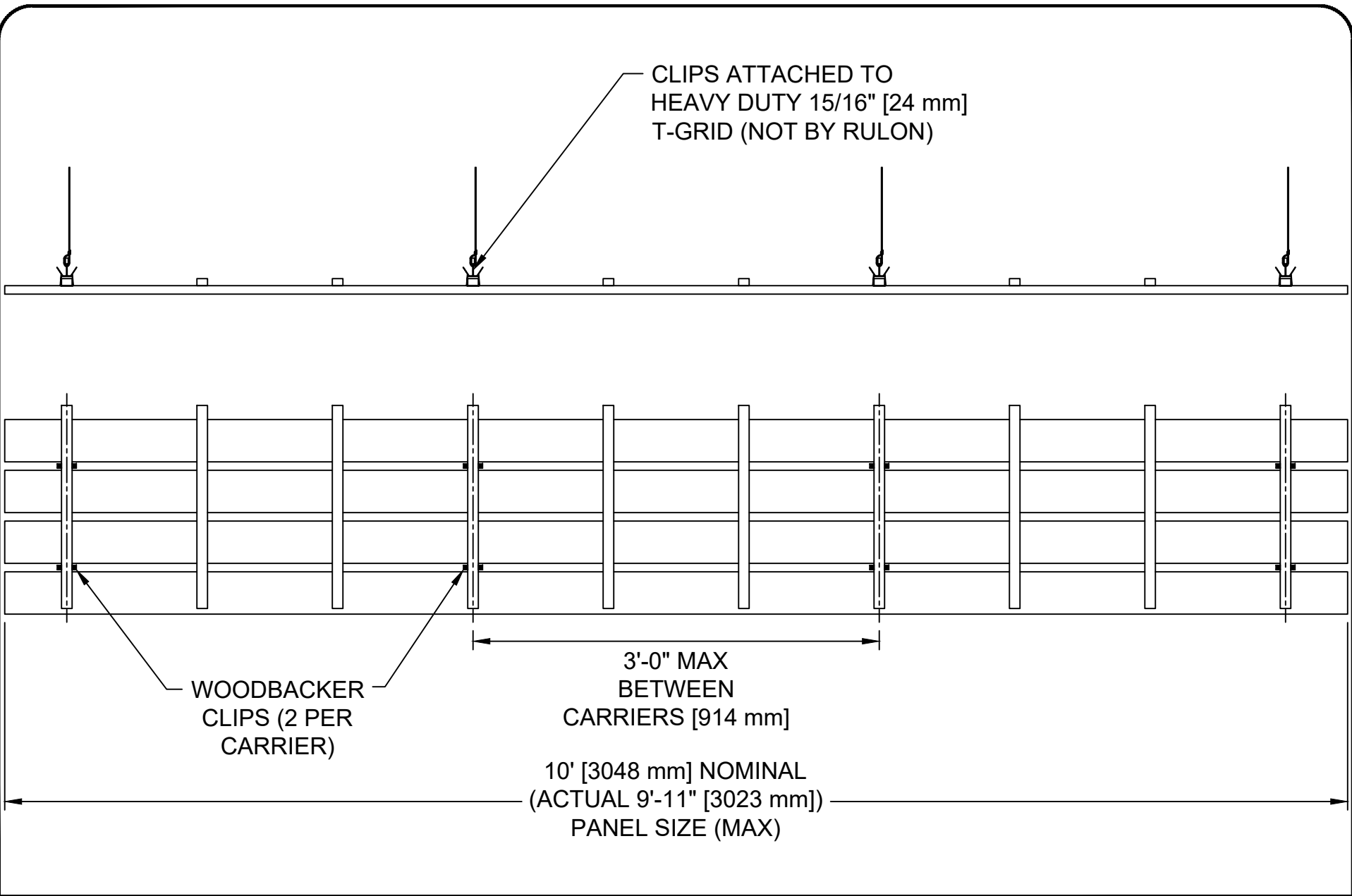
CHECKED BY:

TA

PROJECT NUMBER:

DRAWING NUMBER:

LOPXF006



RULON INTERNATIONAL
2000 Ring Way
St. Augustine, FL 32092

(904) 584-1400
info @ rulonco.com

www.rulonco.com

PROJECT:

TITLE:

Panelized Linear - Woodbacker Clip
Placement Detail

ISSUE DATE:

REVISION DATE:

MAR/14/2019

DRAWN BY:

CAP

CHECKED BY:

TA

PROJECT NUMBER:

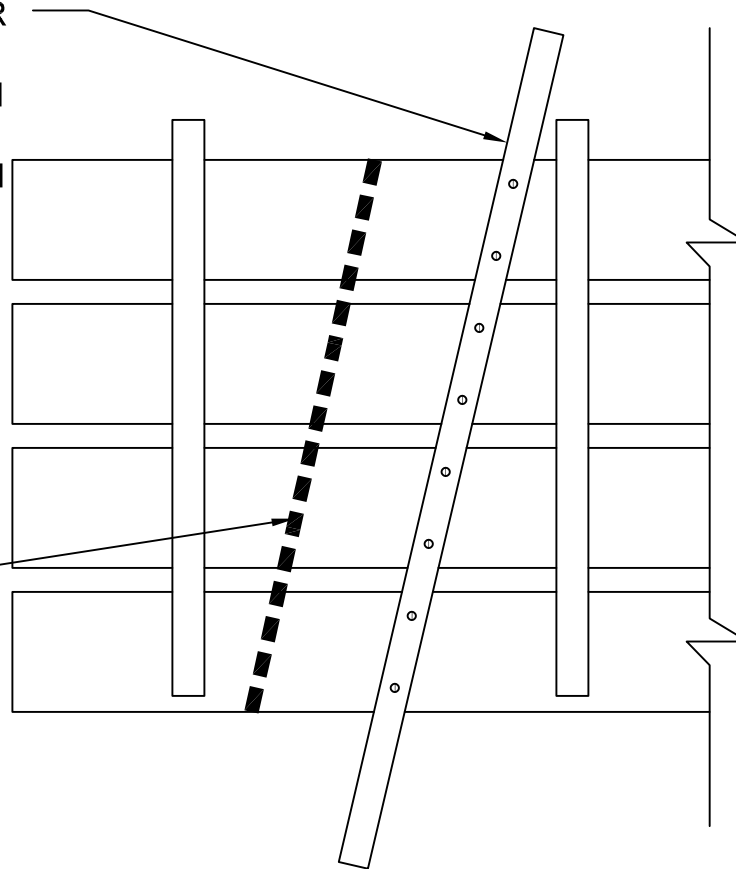
DRAWING NUMBER:

LOPXF007

ATTACH WOOD STRIP OR
SHORT PIECE OF T-RAIL
TO BACK OF PANEL WITH
WOOD SCREWS BEFORE
CUTTING. NOT BY RULON

TRIM LINE -
TOUCH-UP ALL
FIELD-CUT ENDS
WITH SUPPLIED
TOUCH-UP FINISH

NOTE:
WHEN CUTTING PANELS, BOARDS SHOULD
NOT EXTEND BEYOND 6" [152 mm] UNSUPPORTED



RULON INTERNATIONAL
2000 Ring Way
St. Augustine, FL 32092

(904) 584-1400
info @ rulonco.com

www.rulonco.com

PROJECT:

TITLE: Panelized Linear Trimming Detail

ISSUE DATE:

REVISION DATE:
DEC/22/2023

DRAWN BY:

CAP

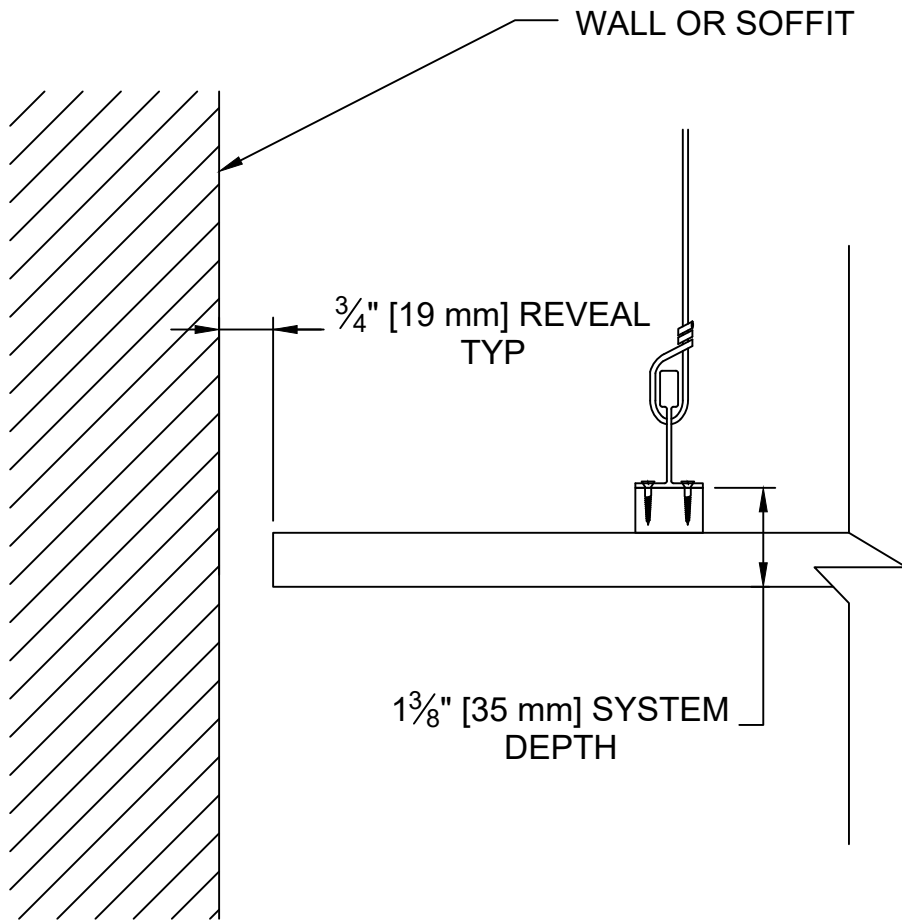
CHECKED BY:

TA

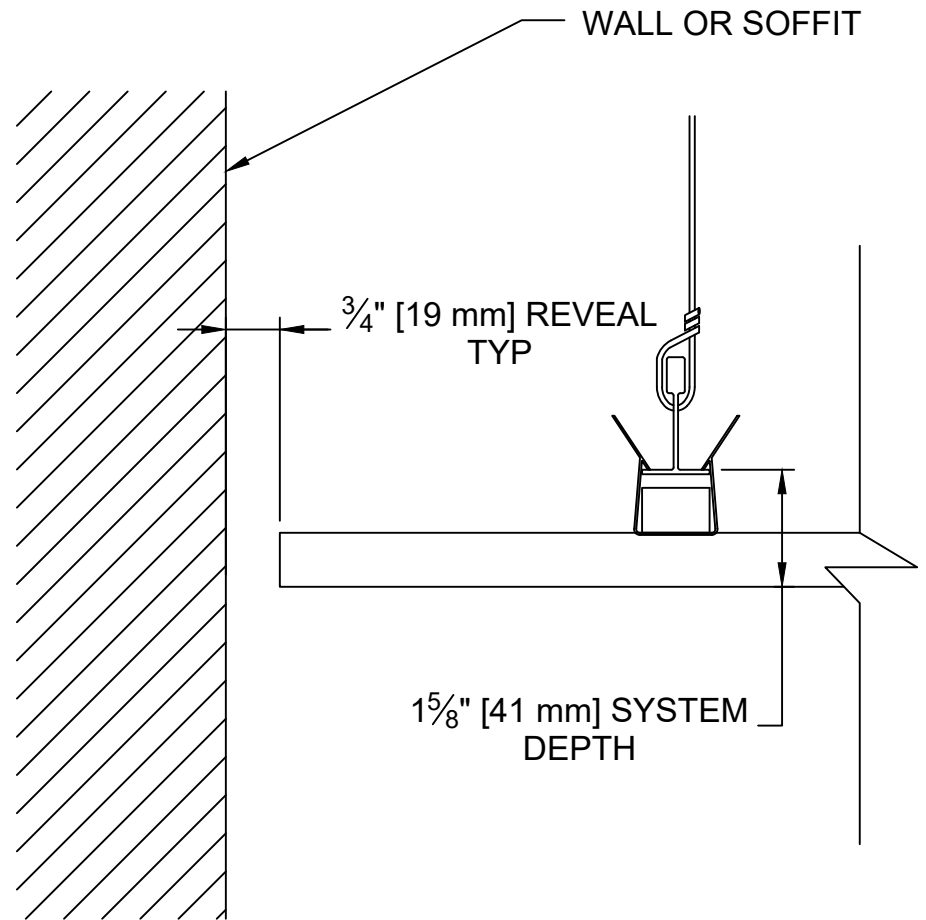
PROJECT NUMBER:

DRAWING NUMBER:

LOPXF008



OPTION A:
DIRECT-SCREW ATTACH



OPTION B:
WOODBACKER CLIP



RULON INTERNATIONAL
2000 Ring Way
St. Augustine, FL 32092

(904) 584-1400
info @ rulonco.com

www.rulonco.com

PROJECT:

TITLE: **Panelized Linear - Clearances**

ISSUE DATE:

REVISION DATE:
MAR/14/2019

DRAWN BY:

CAP

CHECKED BY:

TA

PROJECT NUMBER:

DRAWING NUMBER:

LOPXF009