



Panelized Linear Open
Suspended Ceiling
Installation Guide

Rulon Suspended Panelized Linear Open Wood Ceiling Install Guide

Receipt and Storage:

- a. All material shall be delivered to the project site in the original, labeled, unopened packages. Keep packages of components unopened until it is time to acclimate to the building conditions
- b. Material shall be stored flat and level in a fully enclosed space. **DO NOT Store Rulon products in direct sunlight.** Seventy-two hours before beginning ceiling installation, wood strips must be moved into the room where the HVAC system is operating and the packaging shall be opened. This is to allow the boards to adjust to the room environment. Wood strips are to be stored off the floor.
- c. Care in handling must be exercised to avoid damage.

Before You Begin Installation:

- a. Ensure that all necessary tools are available (see below)
- b. Check Wall components to ensure all items required are at hand (see Page 2)
- c. Review this guide in its entirety. If you have any questions, call Rulon Company before you start the installation
- d. Installation shall be done only when the temperature and humidity closely approximate the interior conditions that will exist when the building is occupied. The heating and cooling systems shall be operating before, during, and after installation, with the humidity of the interior spaces maintained between 25% and 55%, temperature between 60 to 90 degrees F.
- e. It is important that area have proper ventilation, especially in high moisture areas. There shall be no excessive build up of heat in the space.
- f. Prior to the start of installation, all exterior windows and doors are to be in place, glazed, and weather-stripped. The roof is to be watertight, and all wet trades' work is to be completed, and thoroughly dry.
- g. Mechanical, electrical, and other utility service installations above the ceiling plane shall have been completed. No materials should rest or wrap around, the ceiling suspension components or connecting hangers.

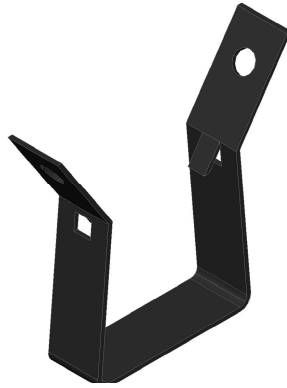
If You Need Further Assistance:

- If you have any questions, or if you encounter a situation not covered by this installation guide, contact the Rulon Technical Department.
Phone: 1-800-22RULON (1-800-227-8566), 904-584-1400
Fax: 1-904-584-1499

Tools and Equipment:

- Standard leveling devices
- Saber saw
- Miter saw (see specifications on page 6)
- Nail gun

Rulon Suspended Panelized Linear Open Wood Ceiling Install Guide



Woodbacker Clip

Ceiling Components:

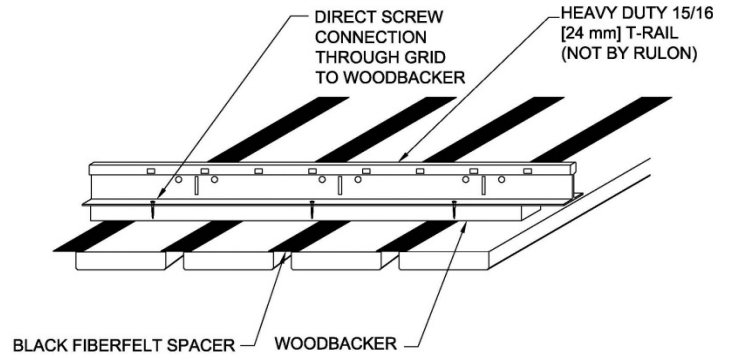
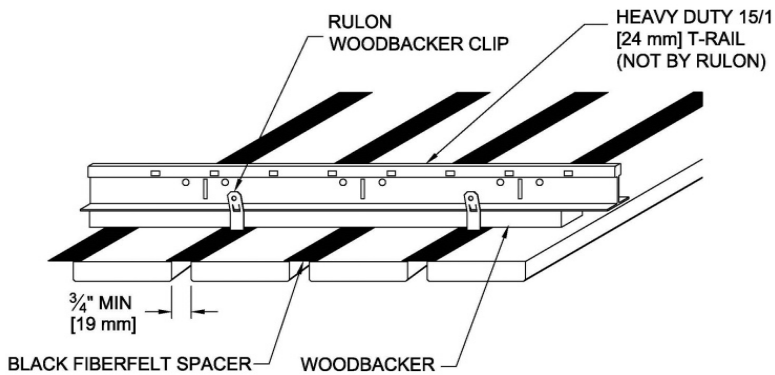
Supplied by Rulon:

- Panelized Linear Panels (felt or hardboard spacer optional)
- Woodbacker Clips (if required)
- Trim (when specified)
- Touch-up finish

Supplied by Others:

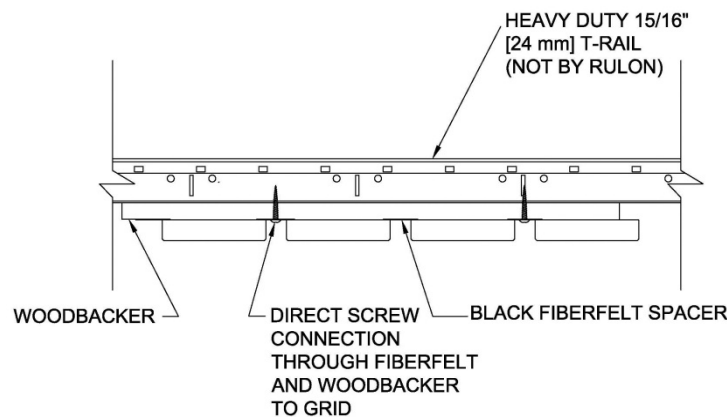
- #12-Gauge wire
- 15/16" [24 mm] Heavy-Duty Grid
- Hanger Inserts
- Acoustical Blanket (when specified)

Rulon Suspended Panelized Linear Open Wood Ceiling Install Guide



Woodbacker Clip Attachment

Direct Screw from Above



Direct Screw from Below

Step 1: T-Rail Installation

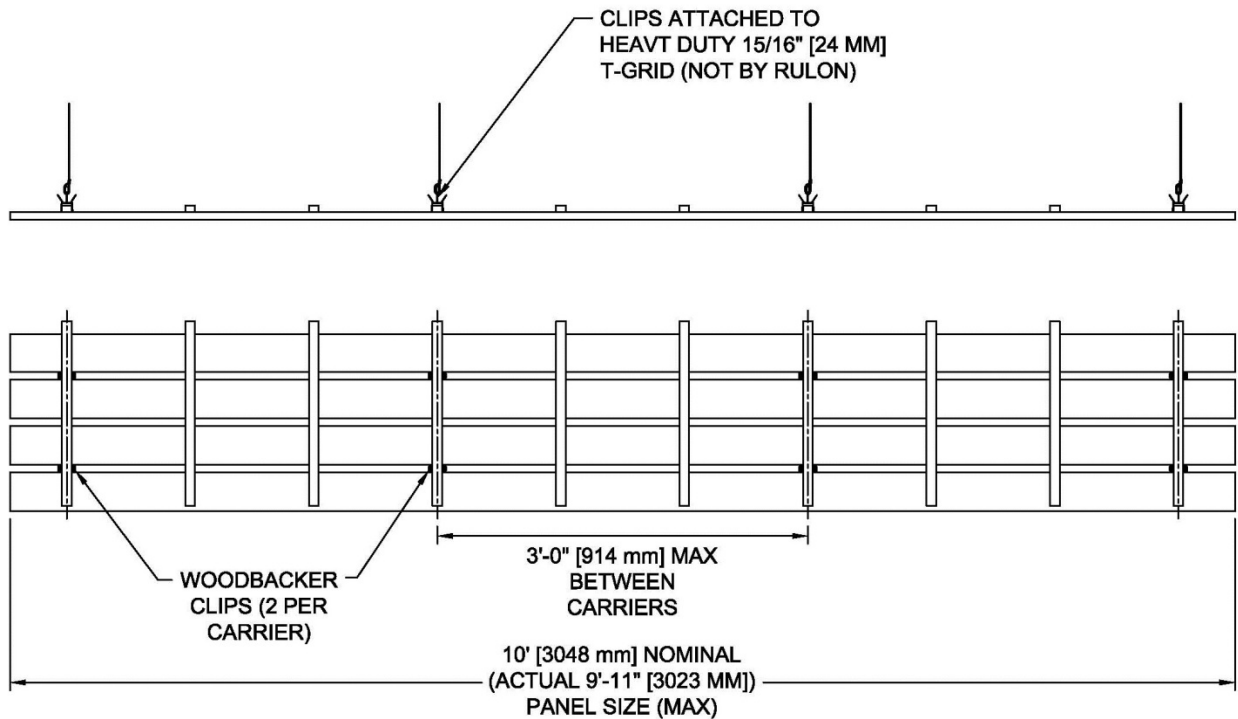
Establish the ceiling height with laser level, or other appropriate method. Mark location. Install border material (if specified) at required height. Note clearances above.

Mark T-Rail locations. T-Rails are located to align with woodbackers, starting with the backer strip nearest to the end. T-Rail will run perpendicular to the direction of the wood strips.

Install hanger inserts (i.e. screw eyes, star anchors, or eye pins shot or hammered into ceiling or clips attached to beam flanges) at 4' [1219 mm] O.C. along T-Rails. Hang #12-ga. wire from the inserts. Wires need to be hung directly from building structure, unless otherwise covered in the Rulon shop drawings, or reviewed and approved by the Rulon Engineering Department.

Hang T-Rails from ceiling hangers. Level. See page 6 for ceiling heights/clearances.

Rulon Suspended Panelized Linear Open Wood Ceiling Install Guide



Step 1A: T-Rail Location

T-Rails shall be located a maximum of 3' [914 mm] On Center for most Panelized Linear applications. There are exceptions such as radius applications. Please refer to Rulon shop drawings for such cases.

Step 2: Panelized Linear Attachment

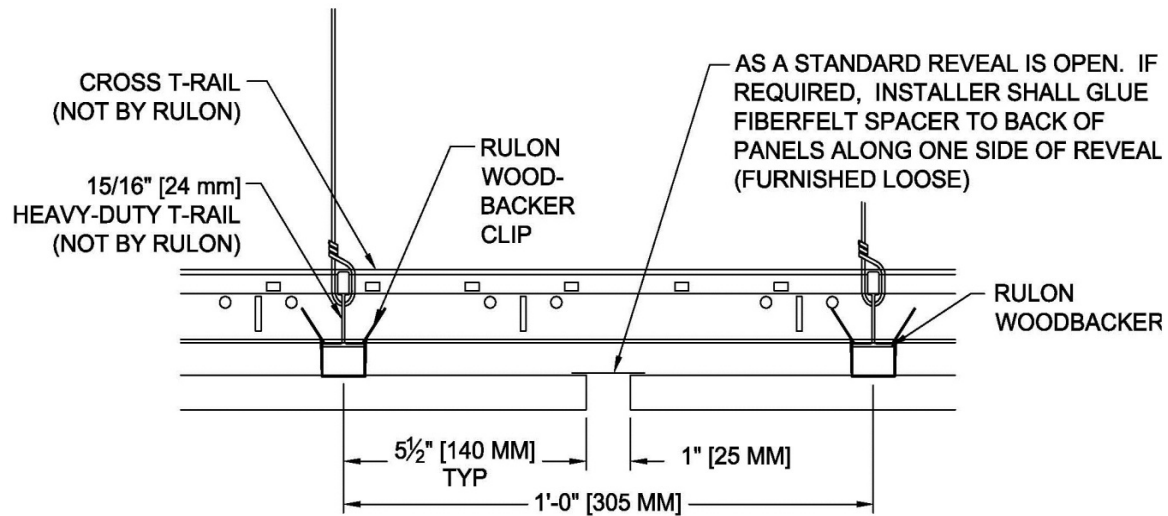
Beginning at one wall, connect the first panel to the T-Rails. Woodbacker clips or direct screw attachment shall be used to attach the Panels to the T-Rail. A clip shall be placed around the appropriate woodbacker, and punched upward to engage the clip tabs onto the T-Rail flanges.

Step 3: Panelized Linear Installation Sequence

Panels shall be installed in sequence, from one side of the room to the other. The first panel will be positioned with the recessed backer toward the wall. The panels shall be initially suspended with a clip at each of the four corners. Intermediate clips can then be more readily added. Panels should be added – female to male across the room. If hardboard spacers are included, spacers furnished loose for between panels shall be installed sequentially. Panel to panel module spacing is to be maintained at the face, to create equal reveal spacing (typical).

Note: When an acoustical blanket is to be installed, it should be placed behind the ceiling as the installation progresses.

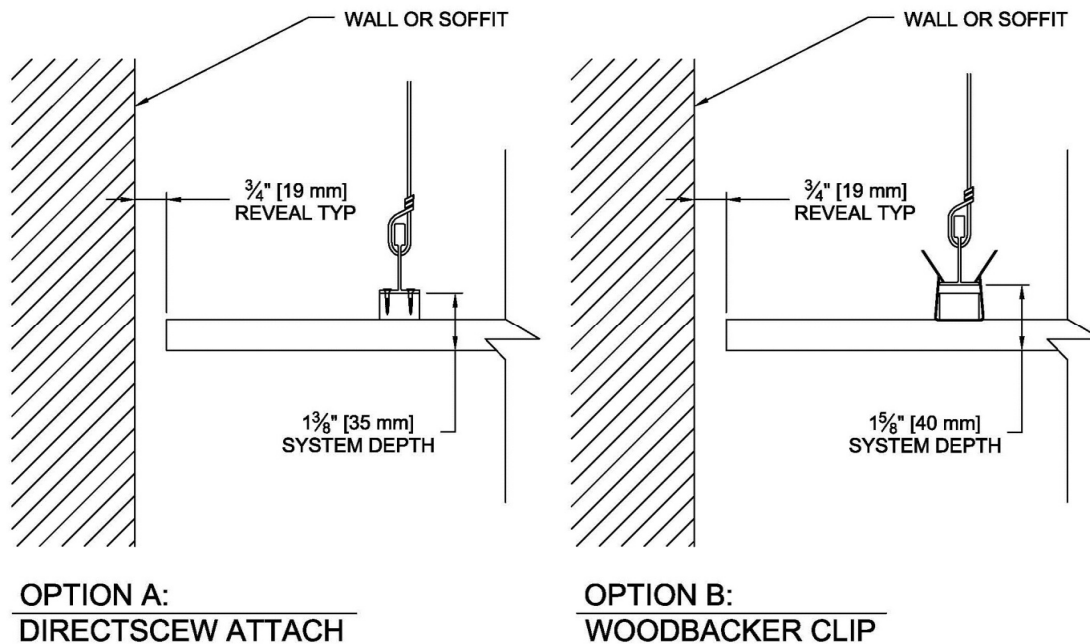
Rulon Suspended Panelized Linear Open Wood Ceiling Install Guide



Step 4: Layout of Reveals

Unless otherwise specified and/or detailed in the shop drawings, as each succeeding row of panels is added, a 1" [25 mm] reveal shall be maintained allowing the use of standard 1' [305 mm] cross tees between main T-Rails.

Rulon Suspended Panelized Linear Open Wood Ceiling Install Guide



Step 5: Perimeters

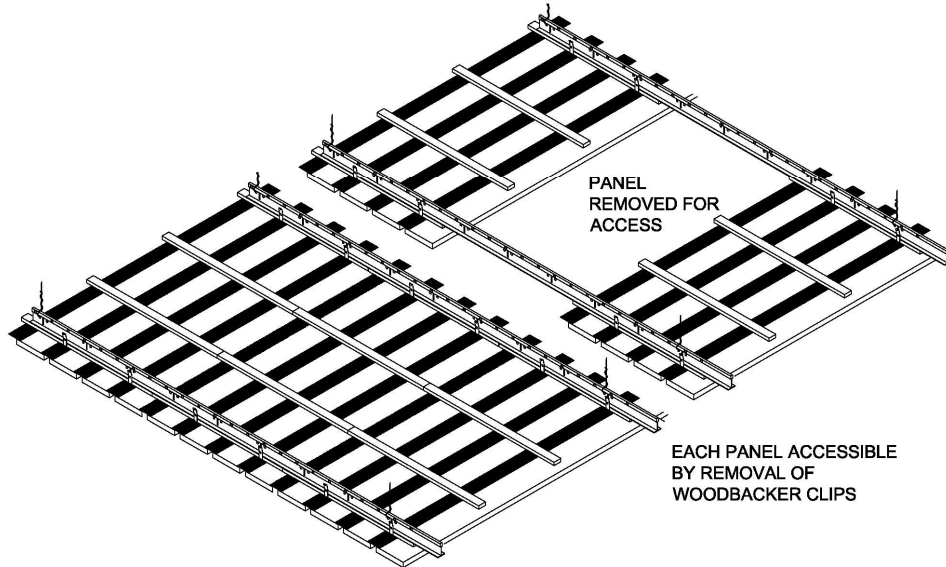
Unless otherwise specified and/or detailed on the shop drawings, perimeter panels typically maintain a target 3/4" [19 mm] reveal at the perimeter. If cutting is required, it is recommended to scribe and cut with a sliding miter saw with a fine-tooth carbide finish blade. It is important that the blade is new. **Use provided touch-up finish to seal the cut ends of all panels. For Exterior Applications, cut ends must be touched up thoroughly with Spar Urethane finish to prevent moisture infiltration.**

Step 6: Cleanup

- a. Make final adjustments to level or contours.
- b. Clean all wood blades and borders free of dirt, dust, grease, oils, and fingerprints. Refer to the Rulon Care and Maintenance document for further instructions.
- c. Remove and replace all work that cannot be successfully cleaned or repaired.

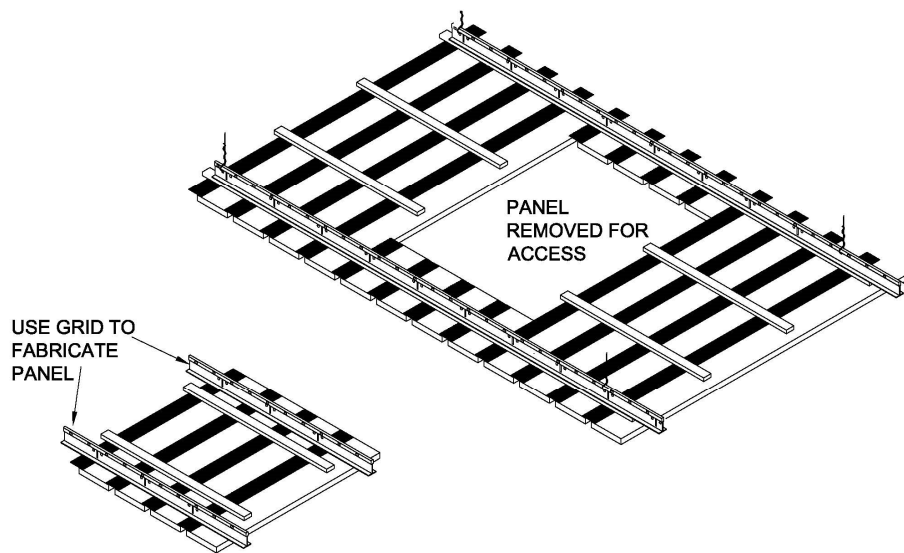
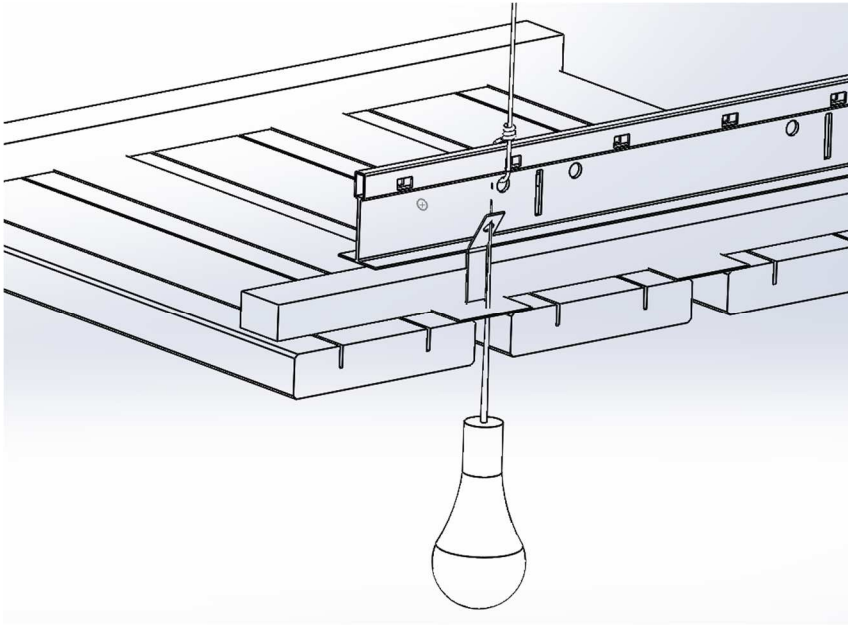
Rulon Suspended Panelized Linear Open Wood Ceiling Install Guide

Access:



Option 1: When woodbacker clips are used for installation, all panels become accessible. Removal is achieved by use of an awl or small Phillips head screw driver to torque and disengage clips (see below).

Rulon Suspended Panelized Linear Open Wood Ceiling Install Guide



Option 2: When ceilings are direct attached, an access door may be field-fabricated as shown above.