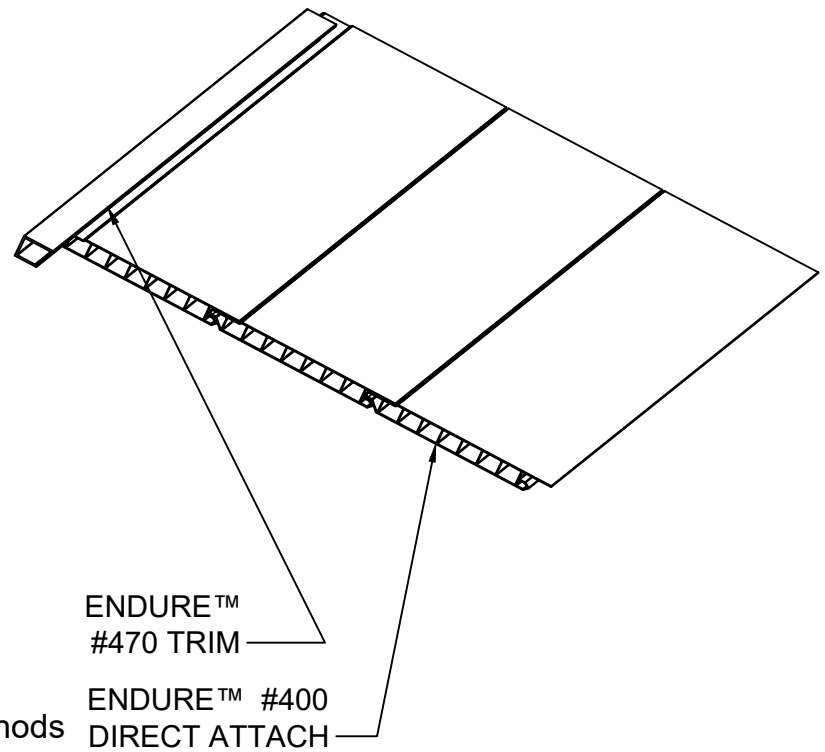


<u>DRAWING #</u>	<u>TITLE</u>
P#4000001	ENDURE™ #400 Profile - Direct Attach
P#4700001	ENDURE™ #470 Perimeter Trim
P#400000T	ENDURE™ #400 Direct Attach Ceiling to Wall Transition
P#400000C	ENDURE™ #400 Direct Attach Corner Conditions
P#400000B	ENDURE™ #400 Direct Attach Random Length with Staggered Joints
P#400000L	ENDURE™ #400 Direct Attach with Fixture
P#40000CL	ENDURE™ #400 Direct Attach with Can Light
P#400000S	ENDURE™ #400 Direct Attach Suspension Methods
P#40000DS	ENDURE™ #400 Direct Attach Optional Direct Screw
P#4000EXP	ENDURE™ #400 Direct Attach Expansion Joint

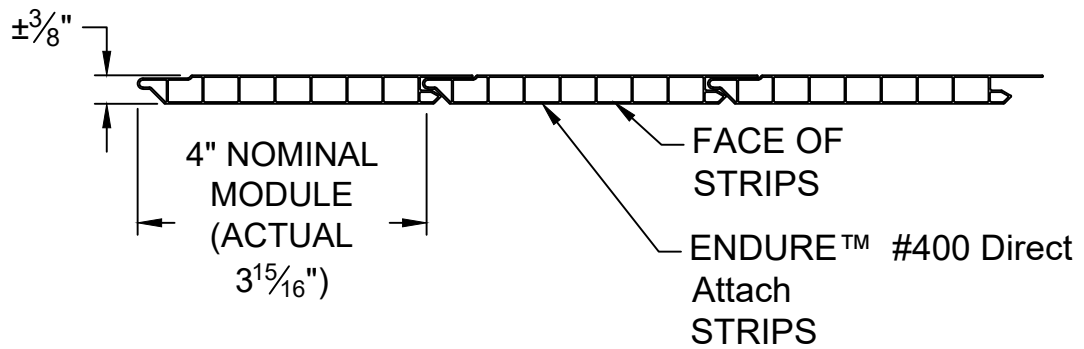
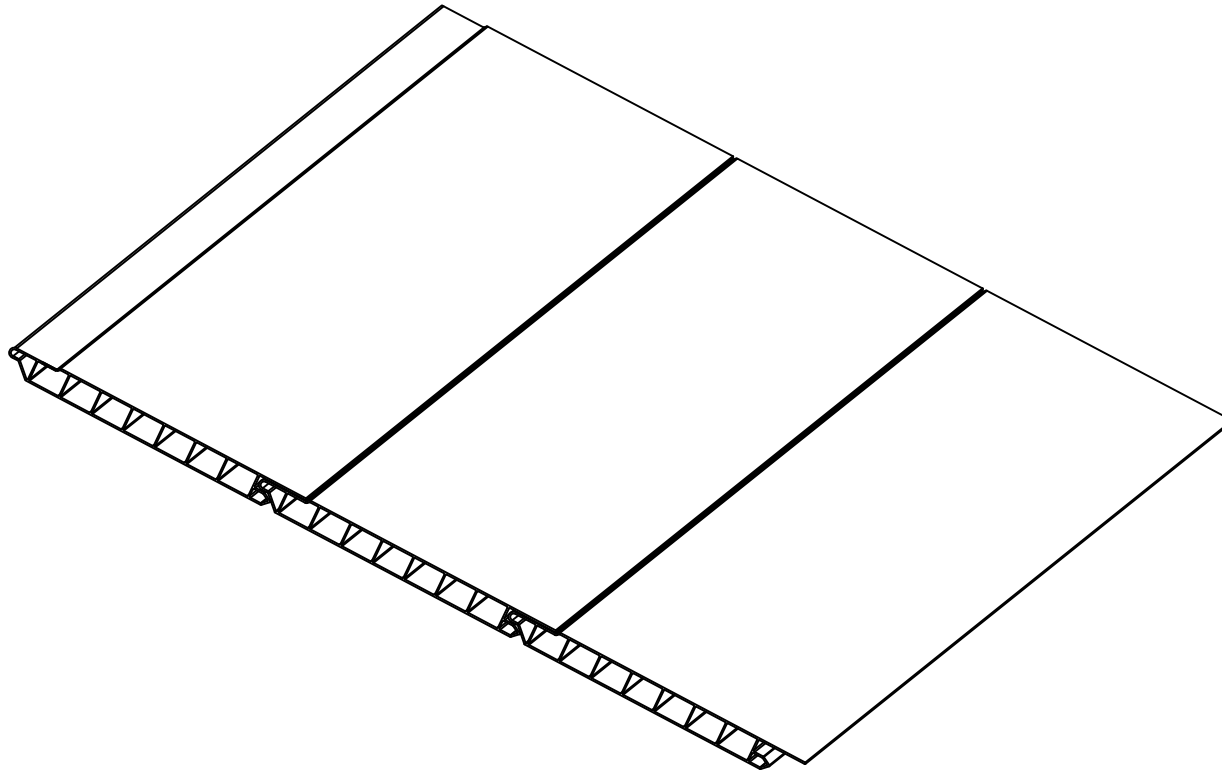


RULON INTERNATIONAL
 2000 Ring Way
 St. Augustine, FL 32092

 (904) 584-1400
 info @ rulonco.com

 www.rulonco.com

PROJECT:	ISSUE DATE:	DRAWN BY: CAP	PROJECT NUMBER:
TITLE: ENDURE™ LINEAR #400 Direct Attach Index	REVISION DATE: FEB/27/2026	CHECKED BY: CMP	DRAWING NUMBER: P4X INDEX



RULON INTERNATIONAL
 2000 Ring Way
 St. Augustine, FL 32092

(904) 584-1400
 info @ rulonco.com

www.rulonco.com

PROJECT:

TITLE: **ENDURE™ #400 Profile -
 Direct Attach**

ISSUE DATE:

REVISION DATE:
FEB/27/2026

DRAWN BY:

CAP

CHECKED BY:

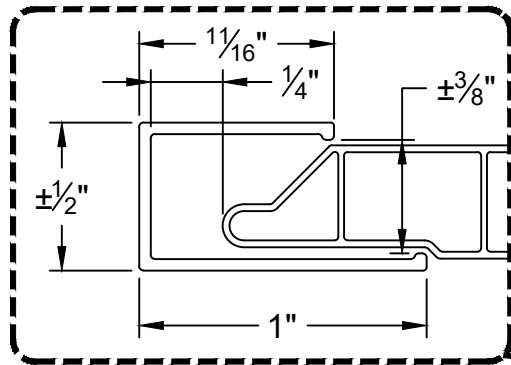
CMP

PROJECT NUMBER:

DRAWING NUMBER:

P4000001

ENDURE™ 470
TRIM



ENDURE™ #470 X4

ENDURE™ #470
PERIMETER TRIM

ENDURE™ #400 Direct
Attach STRIPS



RULON INTERNATIONAL
2000 Ring Way
St. Augustine, FL 32092

(904) 584-1400
info @ rulonco.com

www.rulonco.com

PROJECT:

ISSUE DATE:

DRAWN BY:

PROJECT NUMBER:

CAP

TITLE: ENDURE™ #400 Profile - Direct
Attach - #470 Perimeter Trim

REVISION DATE:

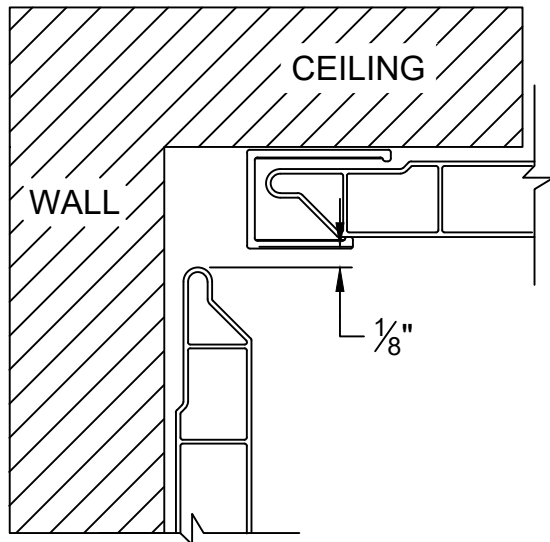
FEB/27/2026

CHECKED BY:

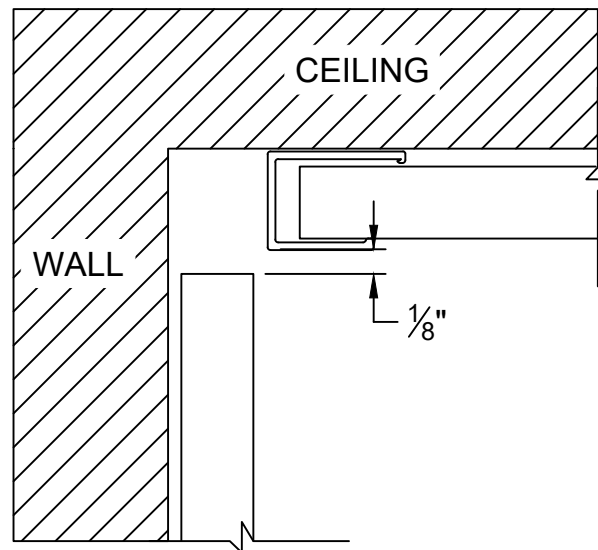
CMP

DRAWING NUMBER:

P4700001



HORIZONTAL STRIPS



VERTICAL STRIPS



RULON INTERNATIONAL
2000 Ring Way
St. Augustine, FL 32092

(904) 584-1400
info @ rulonco.com

www.rulonco.com

PROJECT:

TITLE: **ENDURE™ #400 Direct Attach**
Ceiling to Wall Transition

ISSUE DATE:

REVISION DATE:
DEC/02/2021

DRAWN BY:

CAP

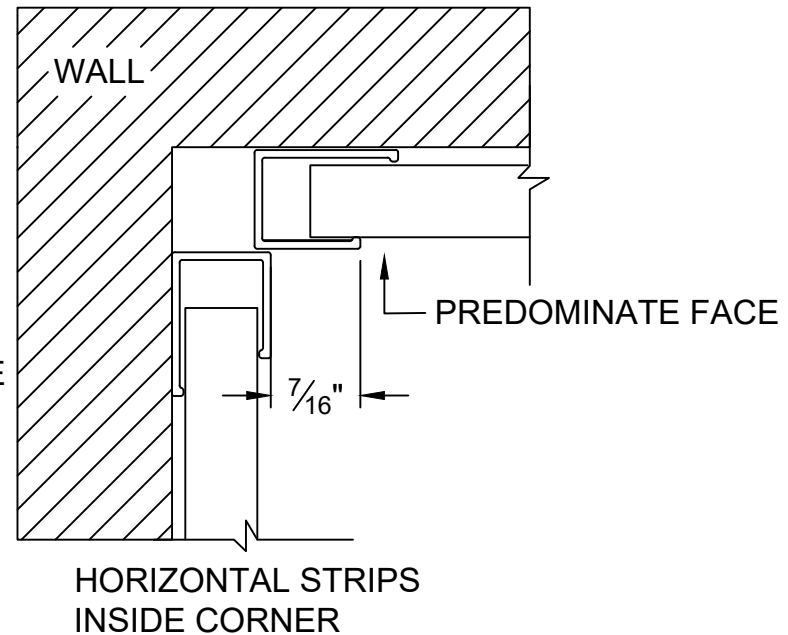
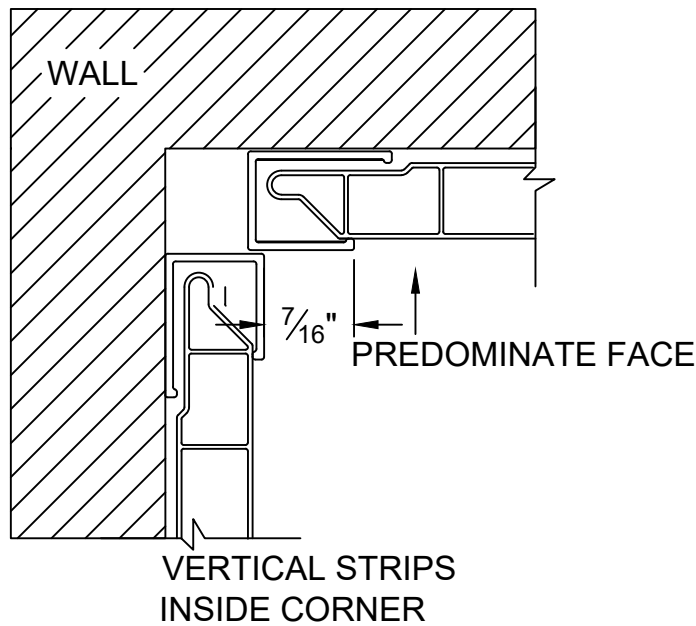
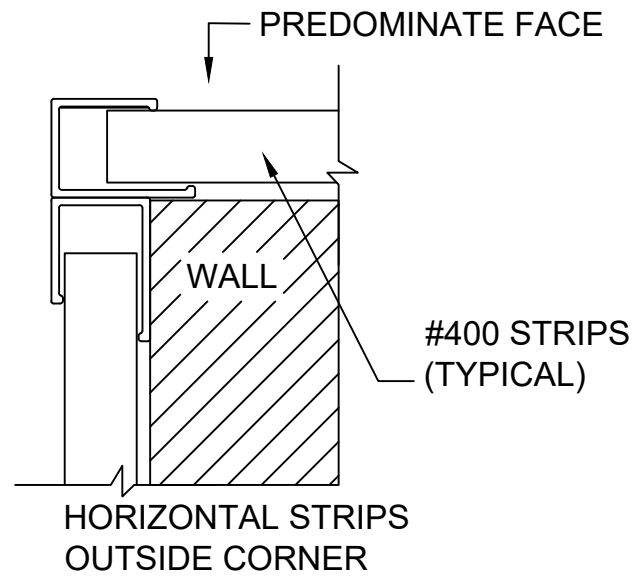
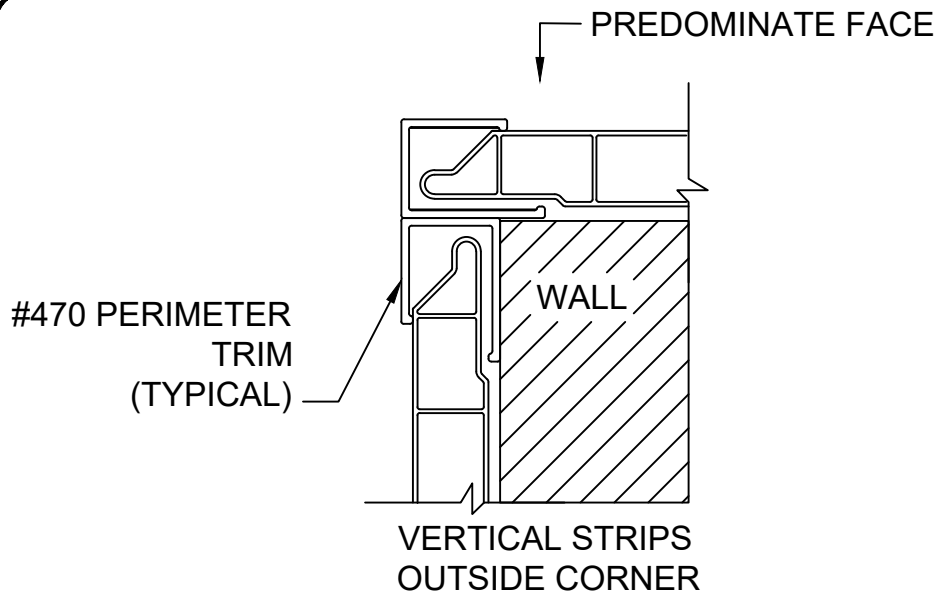
CHECKED BY:

TR

PROJECT NUMBER:

DRAWING NUMBER:

P400000T



RULON INTERNATIONAL
2000 Ring Way
St. Augustine, FL 32092

(904) 584-1400
info @ rulonco.com

www.rulonco.com

PROJECT:

TITLE: **ENDURE™ #400 Direct Attach
Corner Conditions**

ISSUE DATE:

REVISION DATE:
JUN/09/2021

DRAWN BY:

CAP

CHECKED BY:

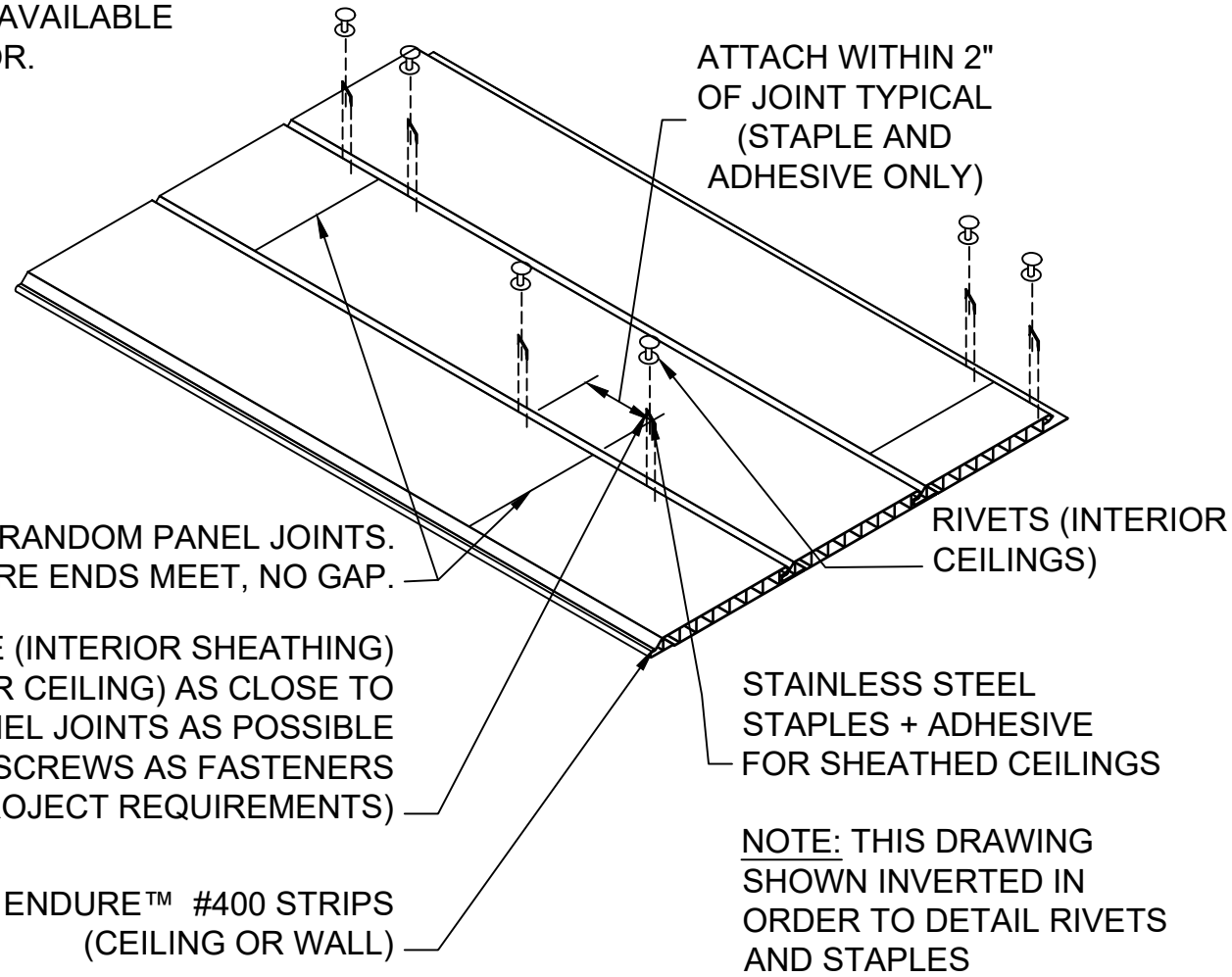
TR

PROJECT NUMBER:

DRAWING NUMBER:

P400000C

**NOTE: INTERIOR ONLY
OPTION. NOT AVAILABLE
WITH EXTERIOR.**



**RANDOM PANEL JOINTS.
WHERE ENDS MEET, NO GAP.**

**STAPLE + ADHESIVE (INTERIOR SHEATHING)
OR RIVET (INTERIOR CEILING) AS CLOSE TO
PANEL JOINTS AS POSSIBLE
(USE SCREWS AS FASTENERS
DEPENDING ON PROJECT REQUIREMENTS)**

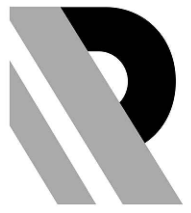
**ENDURE™ #400 STRIPS
(CEILING OR WALL)**

**ATTACH WITHIN 2"
OF JOINT TYPICAL
(STAPLE AND
ADHESIVE ONLY)**

**RIVETS (INTERIOR
CEILINGS)**

**STAINLESS STEEL
STAPLES + ADHESIVE
FOR SHEATHED CEILINGS**

**NOTE: THIS DRAWING
SHOWN INVERTED IN
ORDER TO DETAIL RIVETS
AND STAPLES**

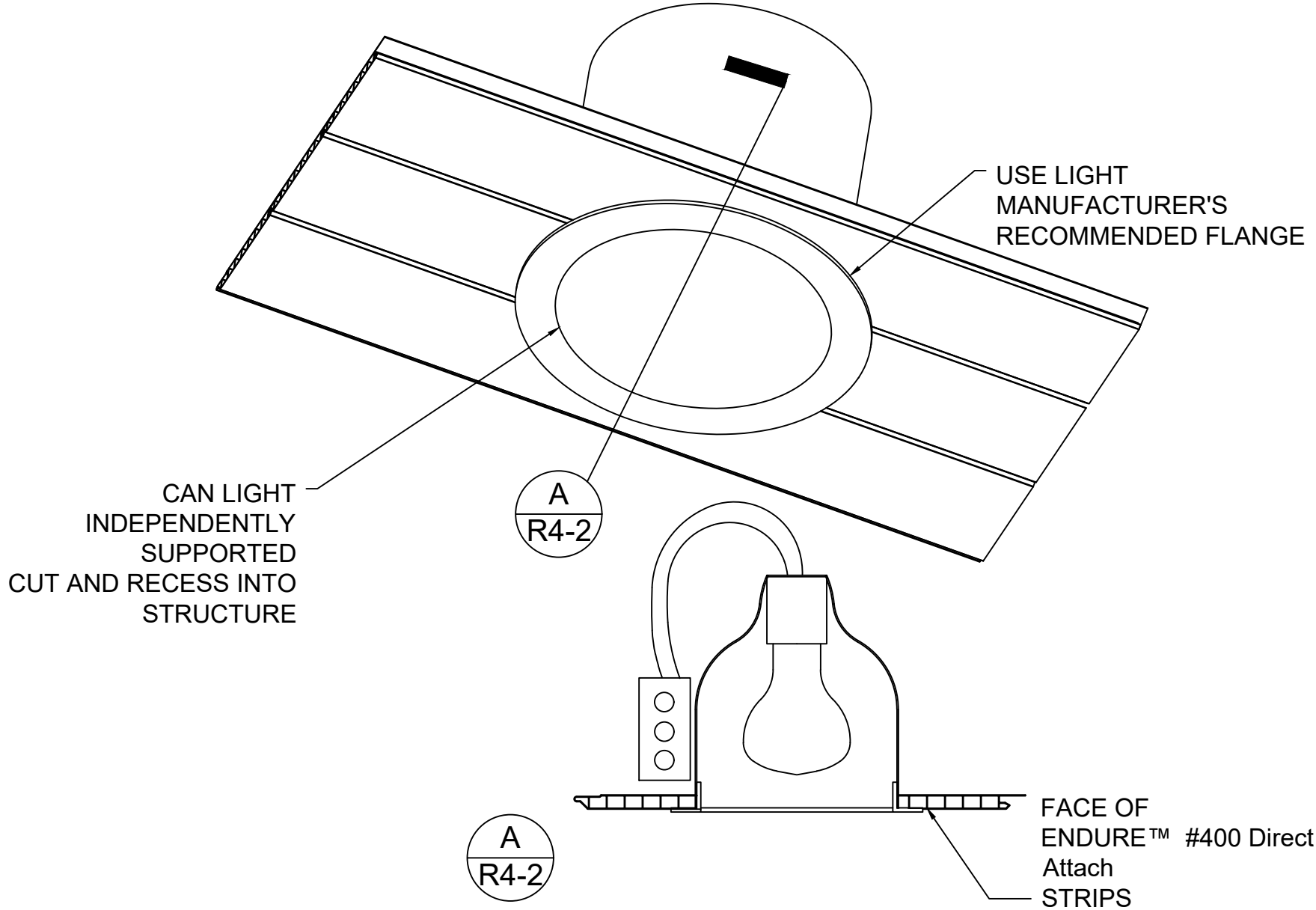


RULON INTERNATIONAL
2000 Ring Way
St. Augustine, FL 32092

(904) 584-1400
info @ rulonco.com

www.rulonco.com

PROJECT:	ISSUE DATE:	DRAWN BY: CAP	PROJECT NUMBER:
TITLE: ENDURE™ #400 Direct Attach Random Length Staggered Joints	REVISION DATE: APR/04/2025	CHECKED BY: TR	DRAWING NUMBER: P400000B



RULON INTERNATIONAL
2000 Ring Way
St. Augustine, FL 32092

(904) 584-1400
info @ rulonco.com

www.rulonco.com

PROJECT:

TITLE: **ENDURE™ #400 Direct Attach
with Can Light**

ISSUE DATE:

REVISION DATE:
FEB/27/2026

DRAWN BY:

CAP

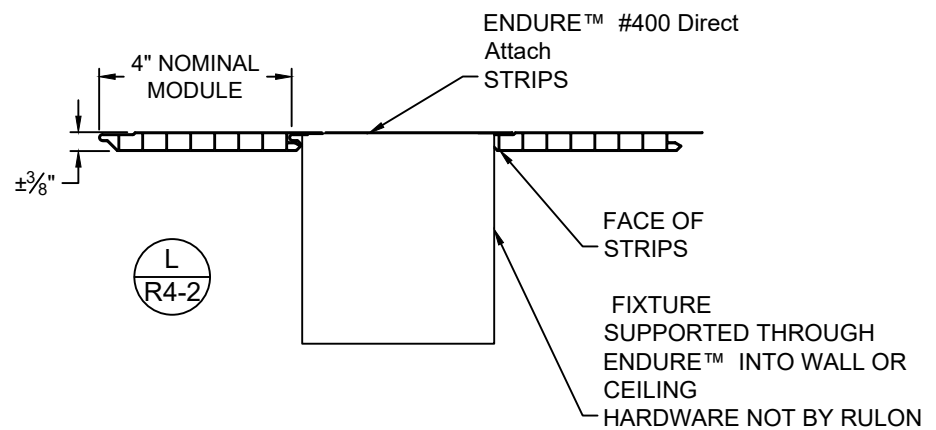
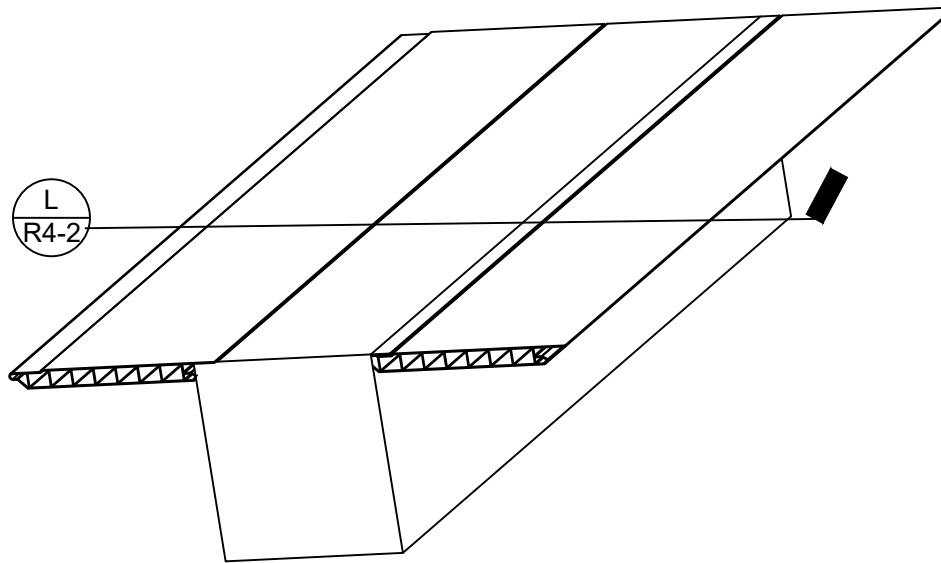
CHECKED BY:

CMP

PROJECT NUMBER:

DRAWING NUMBER:

P40000CL



RULON INTERNATIONAL
2000 Ring Way
St. Augustine, FL 32092

(904) 584-1400
info @ rulonco.com

www.rulonco.com

PROJECT:

TITLE: **ENDURE™ #400 Direct Attach
with Fixture**

ISSUE DATE:

REVISION DATE:
JUN/09/2021

DRAWN BY:

CAP

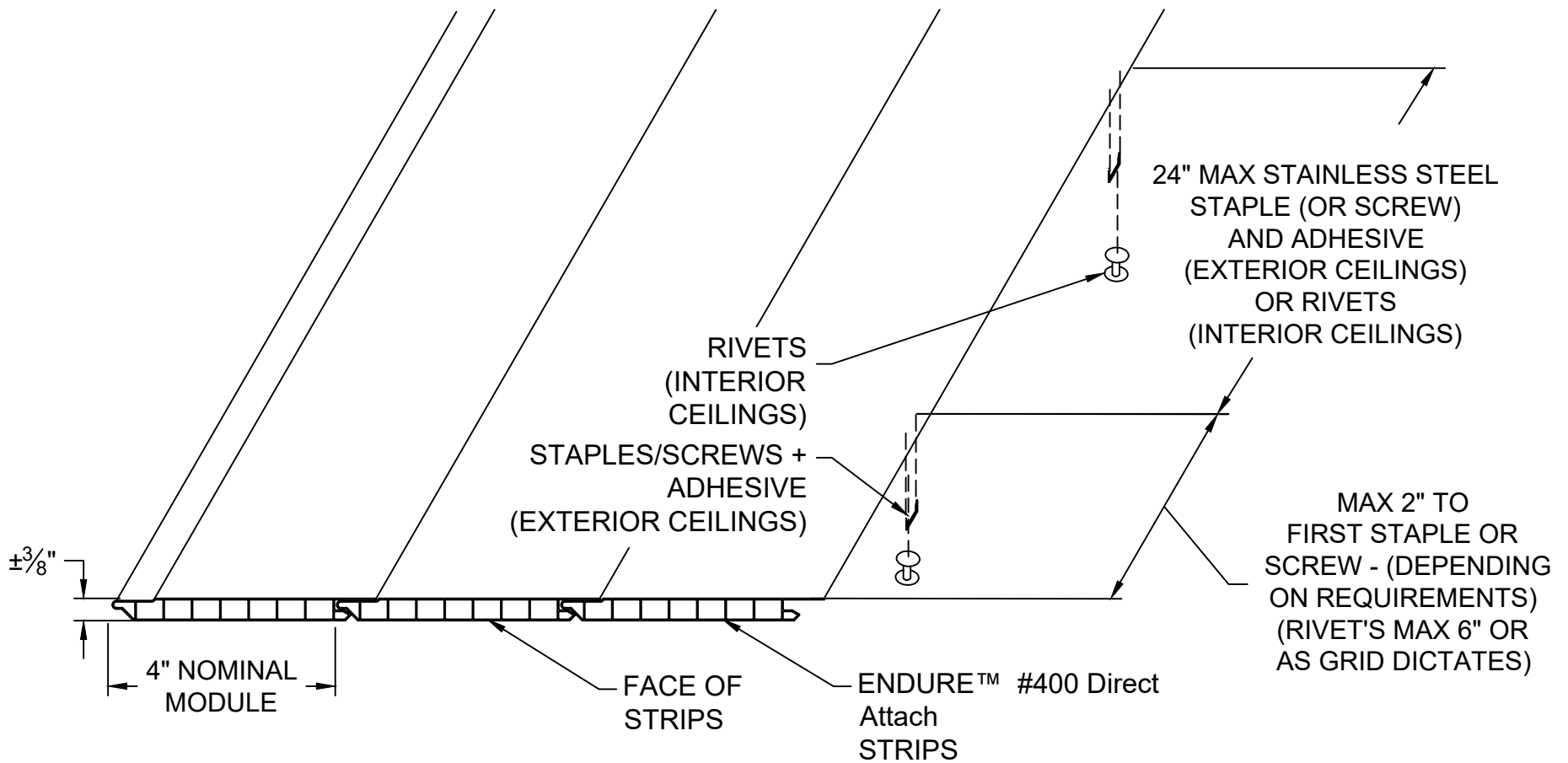
CHECKED BY:

TR

PROJECT NUMBER:

DRAWING NUMBER:

P400000L



RULON INTERNATIONAL
 2000 Ring Way
 St. Augustine, FL 32092

(904) 584-1400
 info @ rulonco.com

www.rulonco.com

PROJECT:

TITLE: **ENDURE™ #400 Attachment Methods**

ISSUE DATE:

REVISION DATE:
FEB/27/2026

DRAWN BY:

CAP

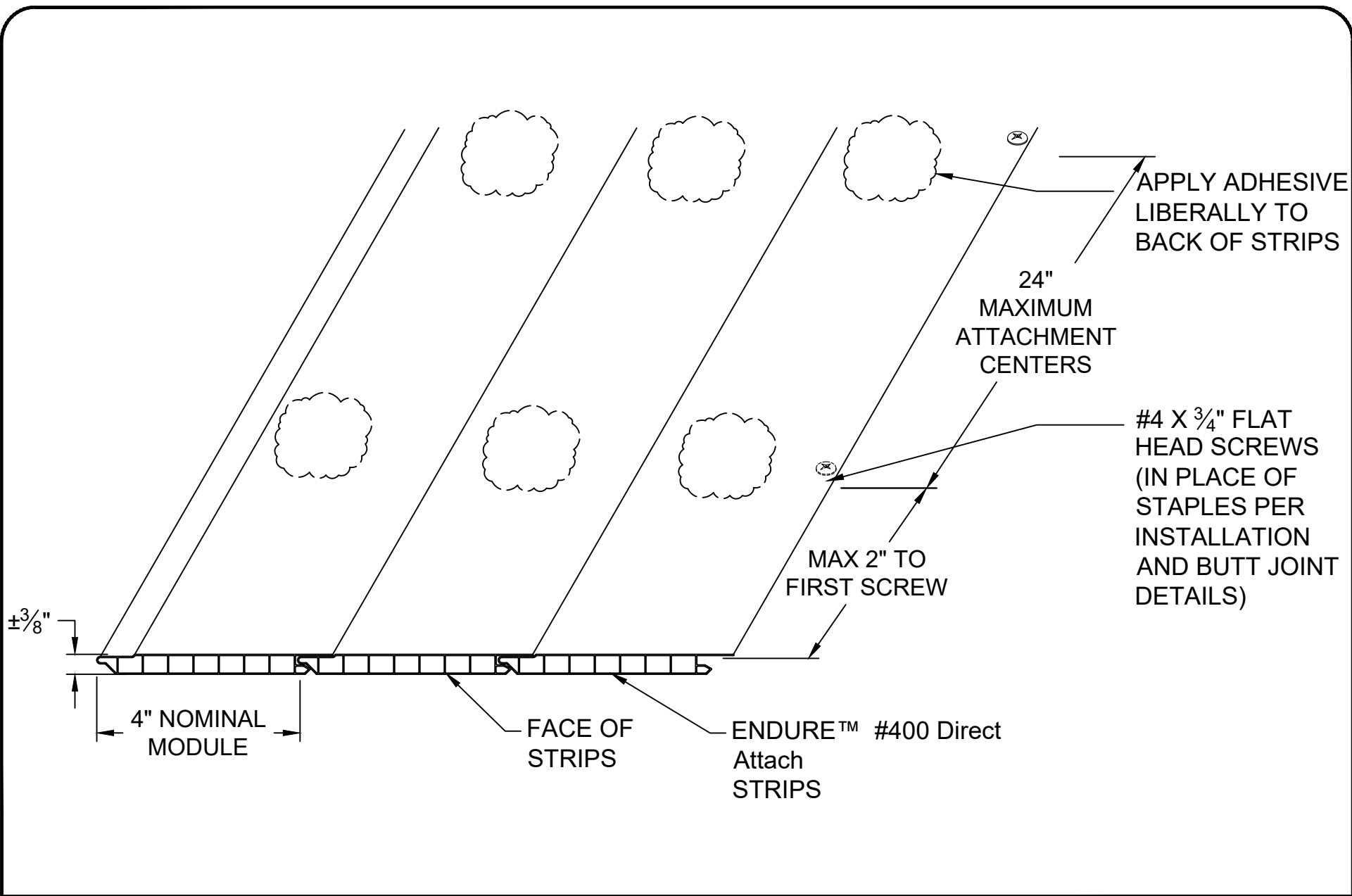
CHECKED BY:

TR

PROJECT NUMBER:

DRAWING NUMBER:

P400000S



RULON INTERNATIONAL
2000 Ring Way
St. Augustine, FL 32092

(904) 584-1400
info @ rulonco.com

www.rulonco.com

PROJECT:

TITLE: ENDURE™ #400 Attachment -
Optional Direct Screw

ISSUE DATE:

REVISION DATE:
FEB/27/2026

DRAWN BY:

CAP

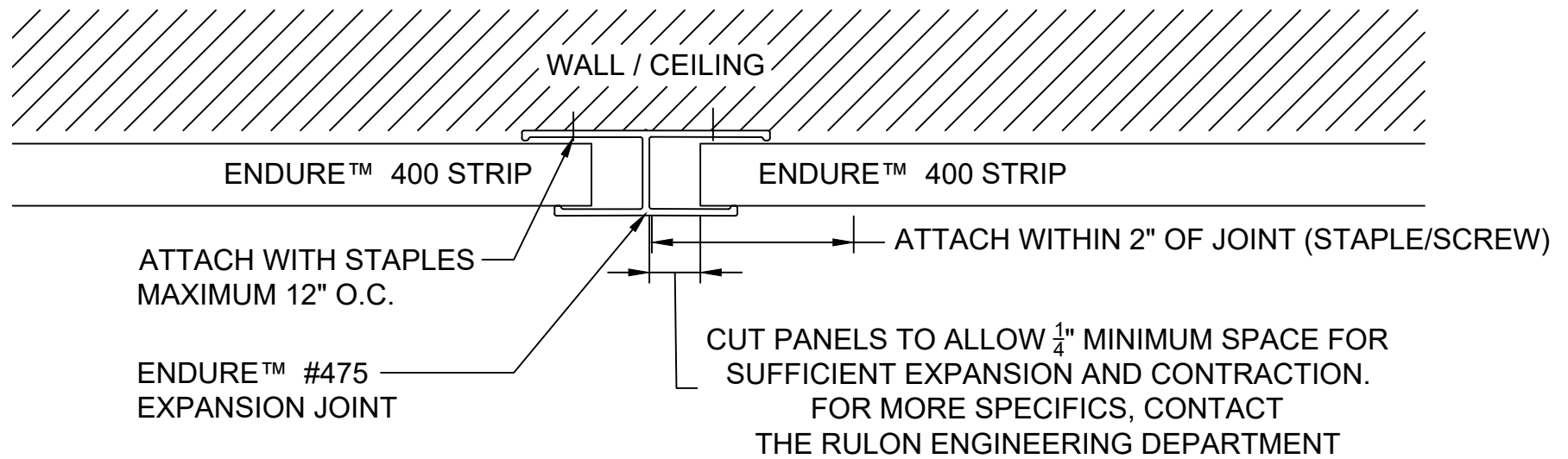
CHECKED BY:

CMP

PROJECT NUMBER:

DRAWING NUMBER:

P40000DS



RULON INTERNATIONAL
2000 Ring Way
St. Augustine, FL 32092

(904) 584-1400
info @ rulonco.com

www.rulonco.com

PROJECT:

TITLE: **ENDURE™ #400 Direct Attach
#475 Expansion Joint**

ISSUE DATE:

REVISION DATE:
APR/04/2025

DRAWN BY:

CAP

CHECKED BY:

TR

PROJECT NUMBER:

DRAWING NUMBER:

P4000EXP